

335

Instruction Manual

This manual applies to all machines of the mentioned type from the following serial number onward: **# 100011 →**

	Contents	Page
1	Safety	5
1.01	Directives	5
1.02	General notes on safety	5
1.03	Safety symbols	6
1.04	Important points for the user	6
1.05	Operating and specialist personnel	7
1.05.01	Operating personnel	7
1.05.02	Specialist personnel	7
1.06	Danger warnings	8
2	Proper use	9
3	Specifications	10
3.01	MA 335	10
3.02	Versions and subclasses	10
4	Disposal of Machine	11
5	Transportation, packing and storage	12
5.01	Transportation to customer's premises	12
5.02	Transportation inside the customer's premises	12
5.03	Disposal of packing materials	12
5.04	Storage	12
6	Explanation of symbols	13
7	Controls	14
7.01	On/off switch	14
7.02	Pedale	14
7.03	Lever for lifting the presser foot	15
7.04	Stitch-length adjustment lever / reverse sewing	15
7.05	Adjustment nut for the top-feed stroke	16
7.06	Control panel (only on machines with Mauser EcoDrive)	16
8	Installation and commissioning	17
8.01	Installation	17
8.01.01	Adjusting the table-top height	17
8.01.02	Assembling the motor (only on machines with Mauser-motor)	18
8.01.03	Tightening the V-belt	18
8.01.04	Mounting the bottom V-belt guard	19
8.01.05	Fitting the upper belt guard	20
8.01.06	Fitting the synchronizer	20
8.01.07	Fitting the reel stand	21
8.01.08	Connecting the plug-in connections and earth cables	22

	Contents	Page
8.02	Commissioning	23
8.03	Switching the machine on/off	23
8.04	Basic position of the machine drive unit	24
9	Setting up	25
9.01	Inserting the needle	25
9.02	Winding the bobbin thread, adjusting the thread tension	26
9.03	Removing / Inserting the bobbin case	27
9.04	Threading the bobbin thread and regulating the bobbin thread tension	27
9.05	Threading needle thread/adjusting needle thread tension	28
9.06	Adjusting the stitch counter for the bobbin thread control	29
10	Care and maintenance	30
10.01	Care and maintenance intervals	30
10.02	Cleaning	30
10.03	General oiling	31
10.04	Oiling the sewing hook	32
10.05	Oiling the needle-head parts	32
10.06	Lubricating the bevel gears	33
10.07	Lubricating the top-feed drive eccentric	34
10.08	Checking/regulating the air pressure	34
10.09	Emptying/cleaning the water bowl of the air filter/regulator	35
10.10	Parameter settings	36
10.10.01	Parameter list	36
11	Table top cutout and circuit diagrams	37
11.01	Table top cutout	37
11.02	Mounting the table top	37
11.03	Circuit diagrams	38
12	Wearing parts	42

1 Safety

1.01 Directives

This machine is constructed in accordance with the European regulations contained in the conformity and manufacturer's declarations.

In addition to this Instruction Manual, also observe all generally accepted, statutory and other regulations and legal requirements and all valid environmental protection regulations!

The regionally valid regulations of the social insurance society for occupational accidents or other supervisory organizations are to be strictly adhered to!

1.02 General notes on safety

- This machine may only be operated by adequately trained operators and only after having completely read and understood the Instruction Manual!
- All Notes on Safety and Instruction Manuals of the motor manufacturer are to be read before operating the machine!
- The danger and safety instructions on the machine itself are to be followed!
- This machine may only be used for the purpose for which it is intended and may not be operated without its safety devices. All safety regulations relevant to its operation are to be adhered to.
- When exchanging sewing tools (e.g. needle, roller presser, needle plate and bobbin), when threading the machine, when leaving the machine unattended and during maintenance work, the machine is to be separated from the power supply by switching off the On/Off switch or by removing the plug from the mains!
- Everyday maintenance work is only to be carried out by appropriately trained personnel!
- Repairs and special maintenance work may only be carried out by qualified service staff or appropriately trained personnel!
- Work on electrical equipment may only be carried out by appropriately trained personnel!
- Work is not permitted on parts and equipment which are connected to the power supply! The only exceptions to this rule are found in the regulations EN 50110.
- Modifications and alterations to the machine may only be carried out under observance of all the relevant safety regulations!
- Only spare parts which have been approved by us are to be used for repairs! We expressly point out that any replacement parts or accessories which are not supplied by us have not been tested and approved by us. The installation and/or use of any such products can lead to negative changes in the structural characteristics of the machine. We are not liable for any damage which may be caused by non-original parts.

1.03

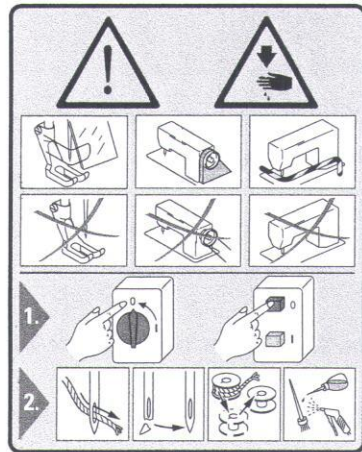
Safety symbols



Danger!
Points to be observed..



Danger of injury for operating and specialist personnel!



Caution

Do not operate without finger guard and safety devices.
Before threading, changing bobbin and needle, cleaning
etc. switch off main switch.

1.04

Important points for the user

- This Instruction Manual is an integral part of the machine and must be available to the operating personnel at all times.
- The Instruction Manual must be read before operating the machine for the first time.
- The operating and specialist personnel is to be instructed as to the safety equipment of the machine and regarding safe work methods.
- It is the duty of the user to only operate the machine in perfect running order.
- It is the obligation of the user to ensure that none of the safety mechanisms are removed or deactivated.
- It is the obligation of the user to ensure that only authorized persons operate and work on the machine.

Further information can be obtained from your MA agent.

1.05 Operating and specialist personnel

1.05.01 Operating personnel

Operating personnel are persons responsible for the equipping, operating and cleaning of the machine as well as for taking care of problems arising in the sewing area.

The operating personnel is required to observe the following points and must:

- always observe the Notes on Safety in the Instruction Manual!
- never use any working methods which could adversely affect the safety of the machine!
- not wear loose-fitting clothing or jewellery such as chains or rings!
- also ensure that only authorized persons have access to the potentially dangerous area around the machine!
- always immediately report to the person responsible any changes in the machine which may limit its safety!

1.05.02 Specialist personnel

Specialist personnel are persons with a specialist education in the fields of electrics, electronics and mechanics. They are responsible for the lubrication, maintenance, repair and adjustment of the machine.

The specialist personnel is obliged to observe the following points and must:

- always observe the Notes on Safety in the Instruction Manual!
- switch off the On/Off switch before carrying out adjustments or repairs, and ensure that it cannot be switched on again unintentionally!
- wait until the luminous diode on the control box is no longer blinking or on before beginning adjustment or repair work.
- never work on parts which are still connected to the power supply! Exceptions are explained in the regulations EN 50110.
- replace the protective coverings and close the electrical control box after all repairs or maintenance work!

1.06

Danger warnings



A working area of 1 m must be kept free both in front of and behind the machine, so that easy access is possible at all times.



Never put your hands or fingers in the sewing area during sewing!
Danger of injury by the needle!



While setting or adjusting the machine do not leave any objects on the table nor in the needle plate area! Objects may be trapped or flung out of the machine!

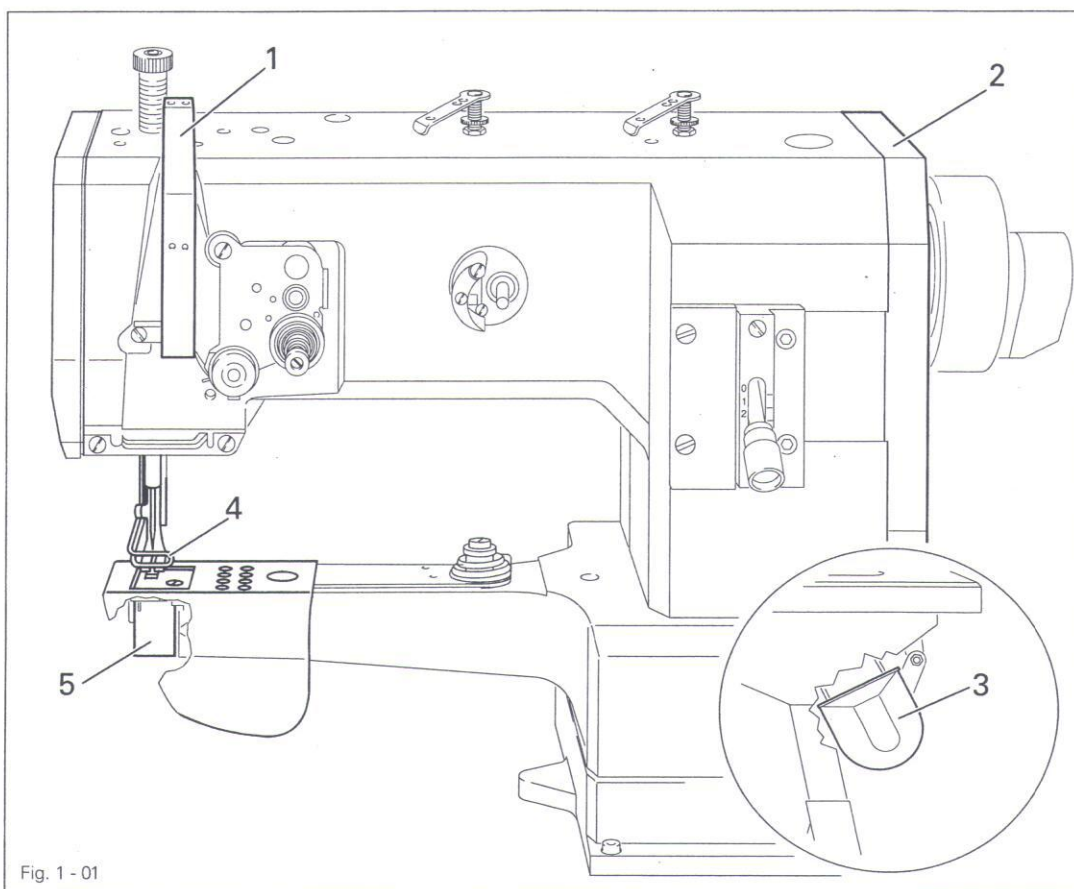


Fig. 1 - 01



Do not run the machine without take-up lever guard 1!
Danger of injury by moving take-up lever!



Do not run the machine without belt guards 2 and 3!
Danger of injury by rotating v-belt!



Do not run the machine without finger guard 4!
Danger of injury by up and down movement of needle!



Do not run the machine without cylinder-bed cap 5!
Danger of injury by rotating hook!

Proper use

The 335 is a single needle, free-arm sewing machine with bottom, top and needle feeds for sewing lockstitch seams.



Any and all uses of this machine which have not been approved of by the manufacturer are considered to be inappropriate! The manufacturer cannot be held liable for any damage caused by the inappropriate use of the machine! The appropriate use of the machine includes the observance of all operational, adjustment, maintenance and repair measures required by the manufacturer!

Specifications

3 Specifications

3.01 335

Stitch type: 301 (lockstitch)
Model:B
Needle system: 134 - 35
Needle thickness (Nm) in 1/100 mm: 80 - 100

Max. stitch length:
on sub classes -940/01-6/014,5 mm
on sub classes -2/27; -6/01; -17/01; -39/216,0 mm
on sub classes -900/525,5 mm

Handwheel effective dia.:80 mm
Max. speed: 2800 spm

Dimensions of the machine:

Free-arm head dia.:51 mm
Free-arm size: approx. 165 mm
Length:approx. 770 mm
Width:approx. 380 mm
Height:approx. 630 mm

Width of fabric clearance:265 mm
Height of fabric clearance: 115 mm
Clearance under the sewing foot:7 mm

Net weight (sewing head):approx. 40 kg
Working air pressure: 6 bar
Air consumption:~0.8 l / work cycle

Motor data:see motor specification plate
Noise data:

Emission sound level at workplace at a speed of 1800 spm: $L_{pa} = 81.0 \text{ dB(A)}$.
(Noise measurement in accordance with DIN 45 635-48-B-1, ISO 11204, ISO 3744, ISO 4871)

3.02 Versions and subclasses

Version B: for sewing medium-weight materials
Version P:additional lifting phase of the bottom feed dog

Additional equipment:

Subclass -900/52 Thread trimmer
Subclass -911/97Backtacking device

◆ Subject to alterations

▪ $K_n = 2,5 \text{ dB}$

4

Disposal of Machine

- Proper disposal of the machine is the responsibility of the customer.
- The materials used for the machine are steel, aluminium, brass and various plastic materials. The electrical equipment comprises plastic materials and copper.
- The machine is to be disposed of according to the locally valid pollution control regulations; if necessary, a specialist is to be commissioned.



Care must be taken that parts soiled with lubricants are disposed of separately according to the locally valid pollution control regulations!

Transportation, packing and storage

5 Transportation, packing and storage

5.01 Transportation to customer's premises

The machines are delivered completely packed.

5.02 Transportation inside the customer's premises

The manufacturer cannot be made liable for transportation inside the customer's premises nor to other operating locations. It must be ensured that the machines are only transported in an upright position.

5.03 Disposal of packing materials

The packing materials of this machine comprise paper, cardboard and VCE fibre. Proper disposal of the packing material is the responsibility of the customer.

5.04 Storage

If the machine is not in use, it can be stored as it is for a period of up to six months, but It should be protected against dust and moisture.

If the machine is stored for longer periods, the individual parts, especially the surfaces of moving parts, must be protected against corrosion, e.g. by a film of oil.

6 Explanation of symbols

In this instruction manual, work to be carried out or important information is accentuated by symbols. These symbols have the following meanings:



Note, information



Cleaning, care



Lubrication



Maintenance, repairs, adjustment, service work
(only to be carried out by technical staff)

7 Controls

7.01 On/off switch

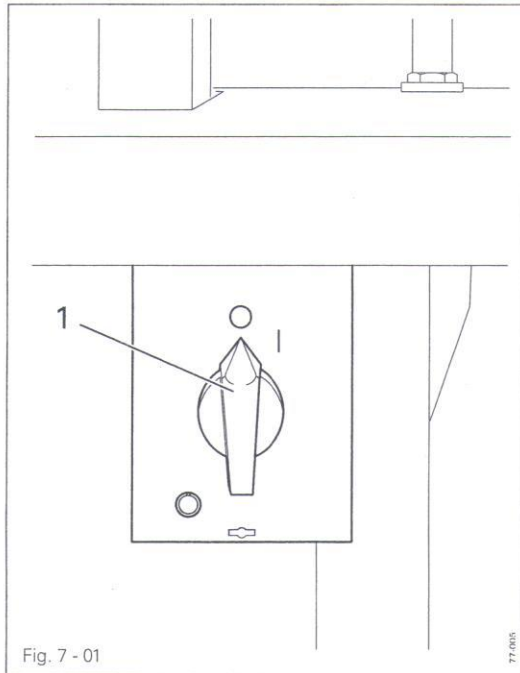


Fig. 7 - 01

- The power supply to the machine is switched on or off by turning switch 1.



The illustrated on/off switch is fitted to machines with Mauser motors. If other motors are used, a different switch may be fitted.

7.02 Pedals

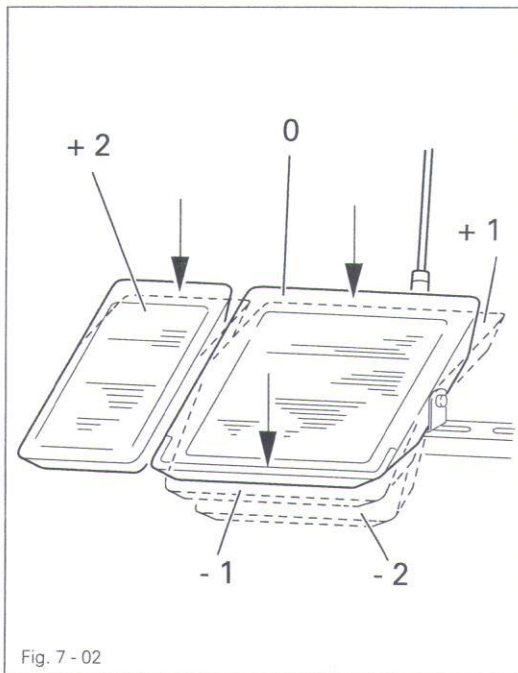
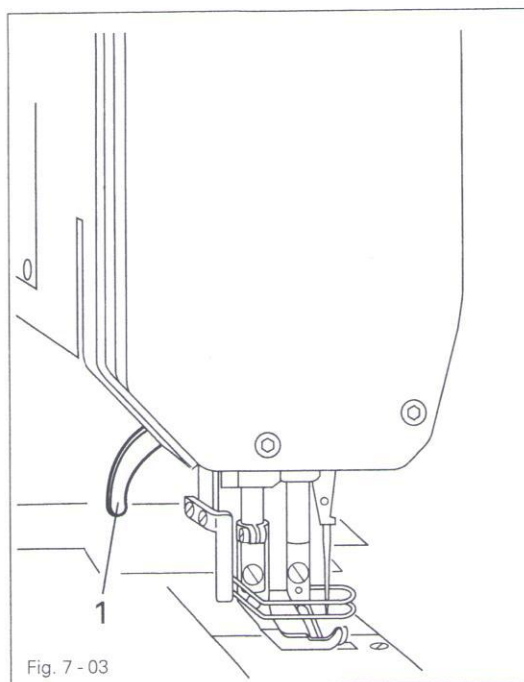


Fig. 7 - 02

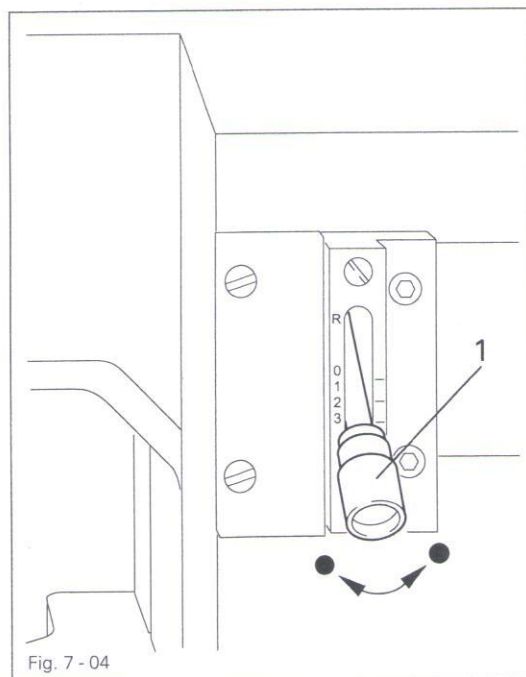
- With the on/off switch on
 - +1 = Sew
 - 1 = Raise presser foot
(on machines with -911/97)
 - 2 = Trim thread
(on machines with thread trimmer -900/52)
 - +3 = Raise presser foot
(on machines without automatic presser-foot -911/97)

7.03 Lever for lifting the presser foot



- The sewing foot can be lifted by raising lever 1.

7.04 Stitch-length adjustment lever / reverse sewing

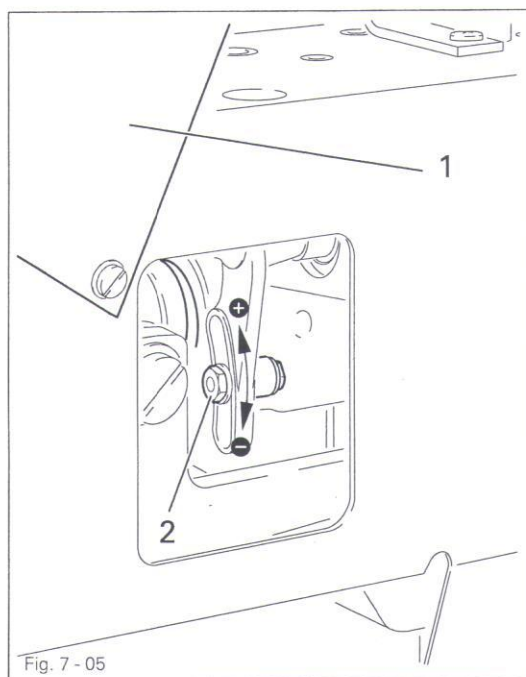


- Adjust the stitch length by turning the milled nut on lever 1 as required.

Reverse sewing

- For reverse sewing, push lever 1 up during sewing.

7.05 Adjustment nut for the top-feed stroke



Switch the machine off!
Danger due to unintentional starting of the machine!

- Open cover 1 on the back of the machine, loosen screw 2 and move as required.

7.06 Control panel (only on machines with Mauser EcoDrive)

The description can be found in the separate instruction manual for the control panel.

8 Installation and commissioning

The machine must only be mounted and commissioned by qualified personnel!
All relevant safety regulations are to be observed!



If the machine is delivered without a table, it must be ensured that the frame and the table top which you intend to use can hold the weight of the machine and the motor. It must be ensured that the supporting structure is sufficiently sturdy, including during all sewing operations.

8.01 Installation

The site where the machine is installed must be provided with suitable connections for the electric current, see Chapter 3 Specifications.

It must also be ensured that the standing surface of the machine site is firm and horizontal, and that sufficient lighting is provided.



The method of packaging used requires that the table top be lowered for transport. The following is a description of how to adjust the height of the table top.

8.01.01 Adjusting the table-top height

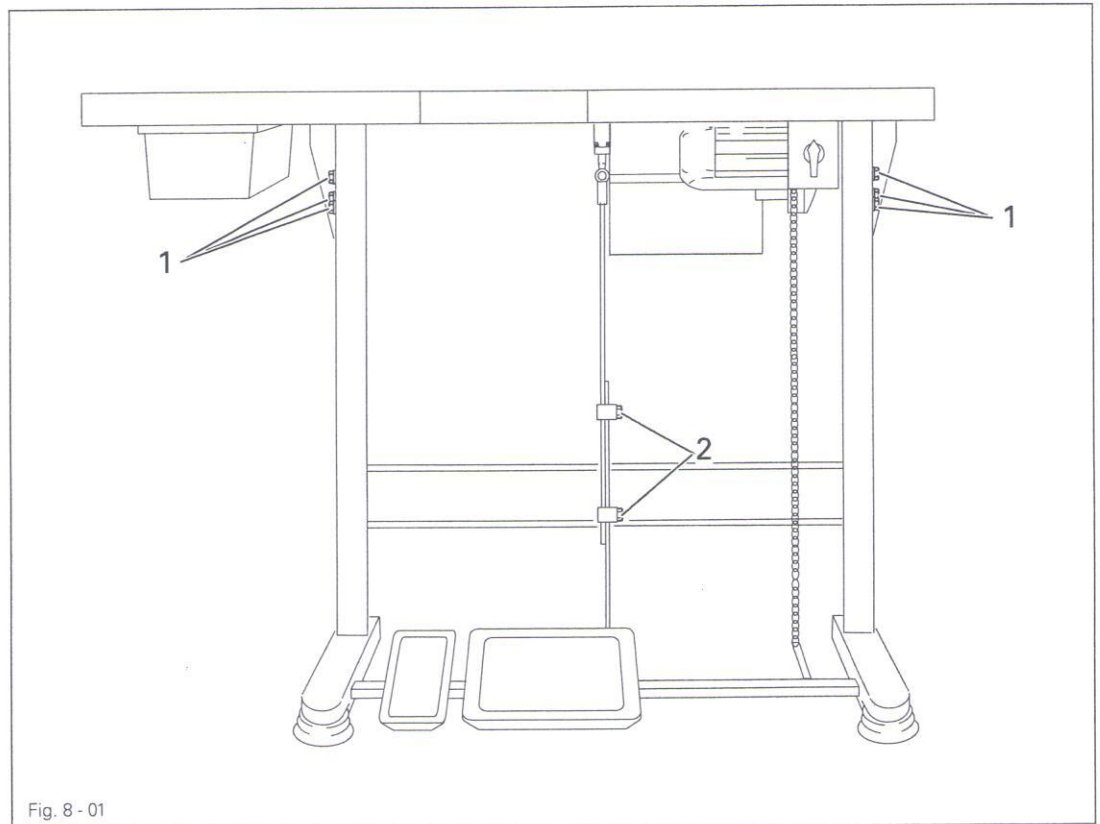
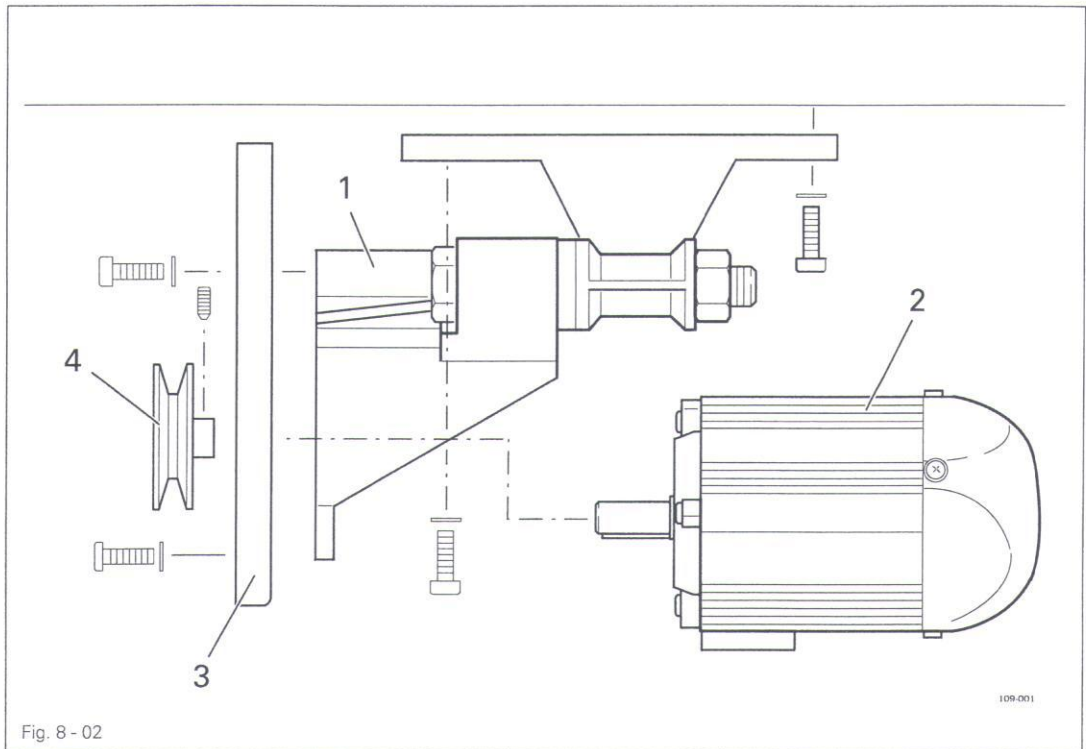


Fig. 8 - 01

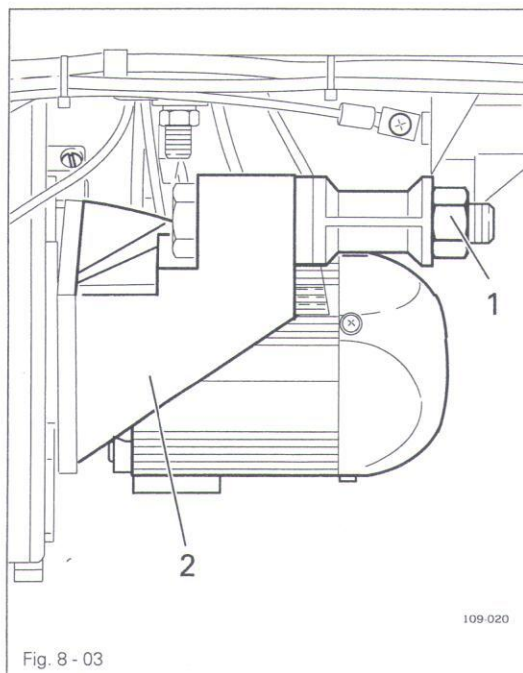
- Loosen screws 1 and 2 and set the desired table-top height
- Tighten screws 1 well.
- Adjust the position of the pedal so that you can operate it comfortably and tighten screw 2.

8.01.02 Assembling the motor (only on machines with Mauser-motor)



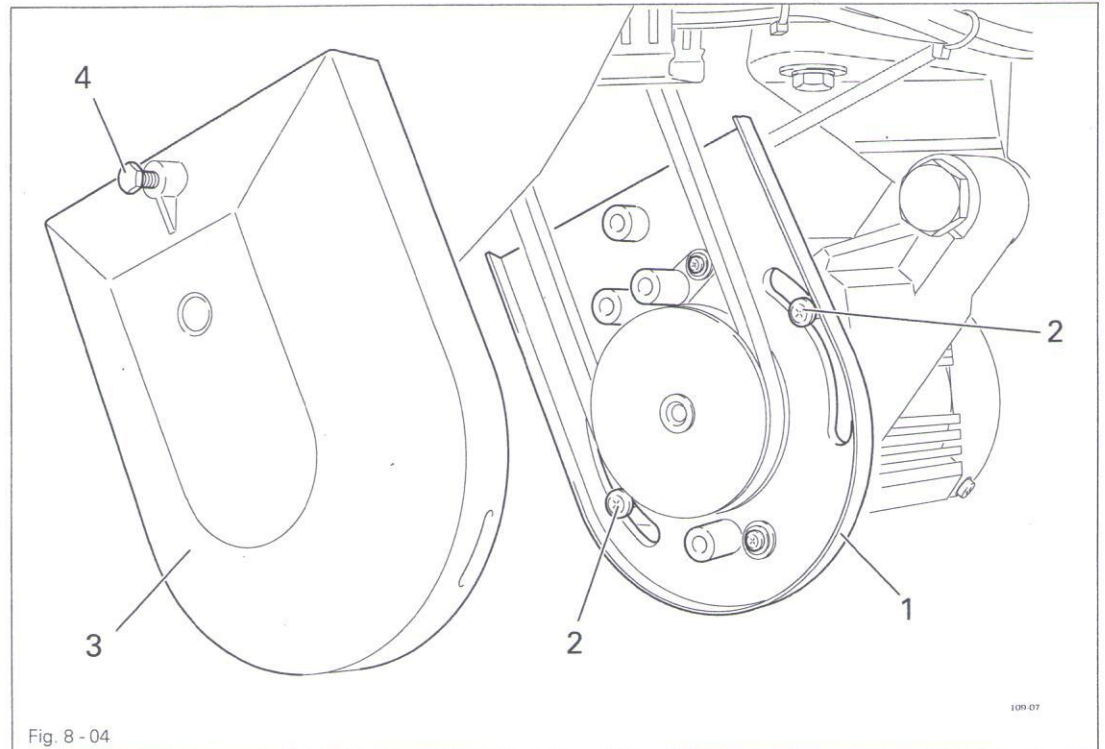
- Assemble motor mounting 1, motor 2, belt guard support 3 and belt pulley 4 as shown in Fig. 8-02.

8.01.03 Tightening the V-belt



- Fit the V-belt.
- Loosen nut 1 and tighten the V-belt by turning motor mounting 2.
- Tighten nut 1.

8.01.04 Mounting the bottom V-belt guard

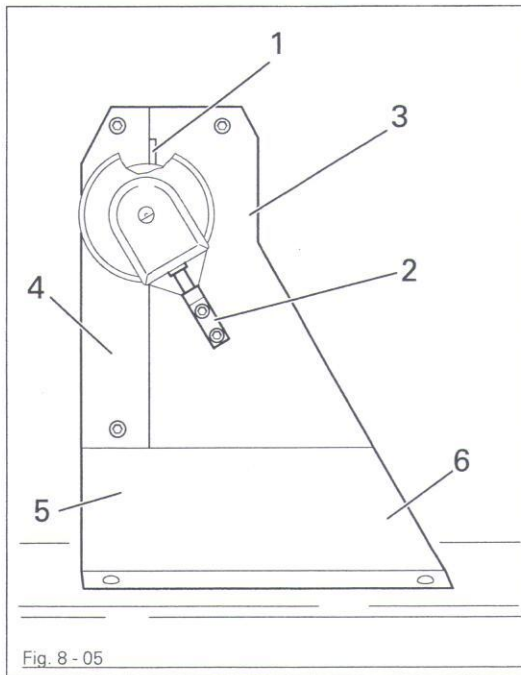


- Loosen screws 2 and adjust belt guard support 1 so that the motor pulley and V-belt run freely.
- Tighten screws 2.
- Fasten belt guard 3 with screw 4.



Fig. 8-04 shows a Mauser-motor. If a different motor is used, follow the instructions of the Motor Instruction Manual.

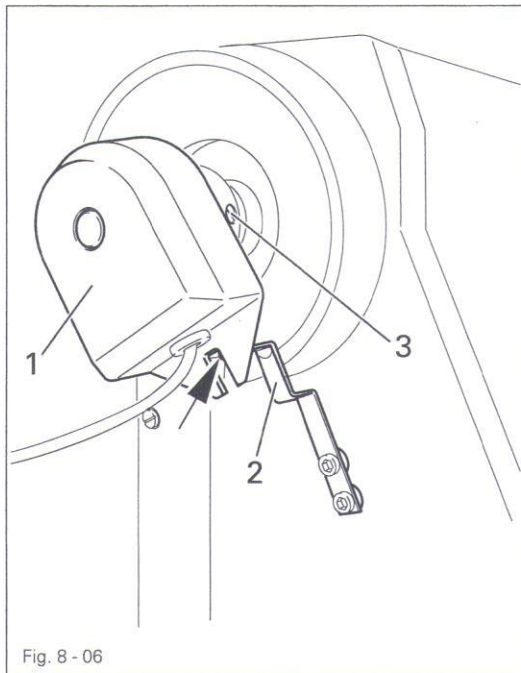
8.01.05 Fitting the upper belt guard



If a large balance wheel is used, the corner 1 of the belt guard 3 must be broken out.

- Screw stop piece 2 onto belt guard part 3.
- Screw on belt guard part 3 onto the housing.
- Screw on belt guard part 4 onto the housing.
- Secure belt guard parts 5 and 6 onto the table top.

8.01.06 Fitting the synchronizer



- Push synchronizer 1 onto the shaft so that stop 2 is standing in the slot on the synchronizer (see arrow)
- Tighten screws 3.
- Connect the synchronizer plug to the control box.
- Connect the synchronizer plug to the adapter (see Chapter 8.01.08 Connecting the plug connections and earth cables).

8.01.07 Fitting the reel stand

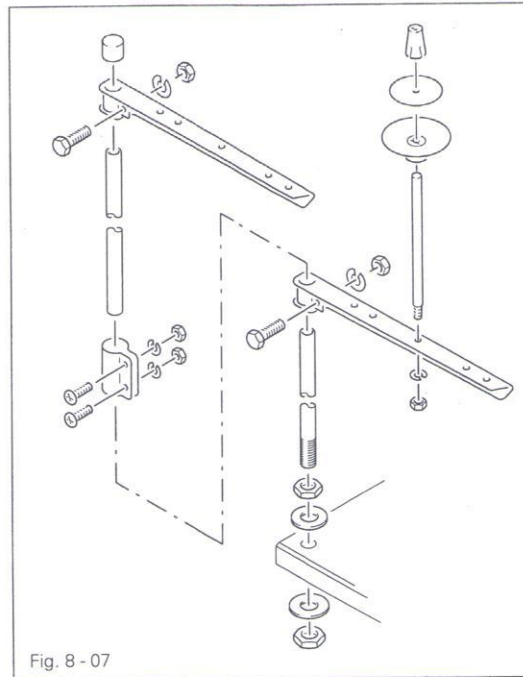


Fig. 8 - 07

- Fit the reel stand as shown in Fig. 8 - 07.
- Afterwards insert the stand in the hole in the table top and secure it with nuts provided.



Table top mounting and circuit diagrams
(see Chapter 11)

8.01.08

Connecting the plug-in connections and earth cables

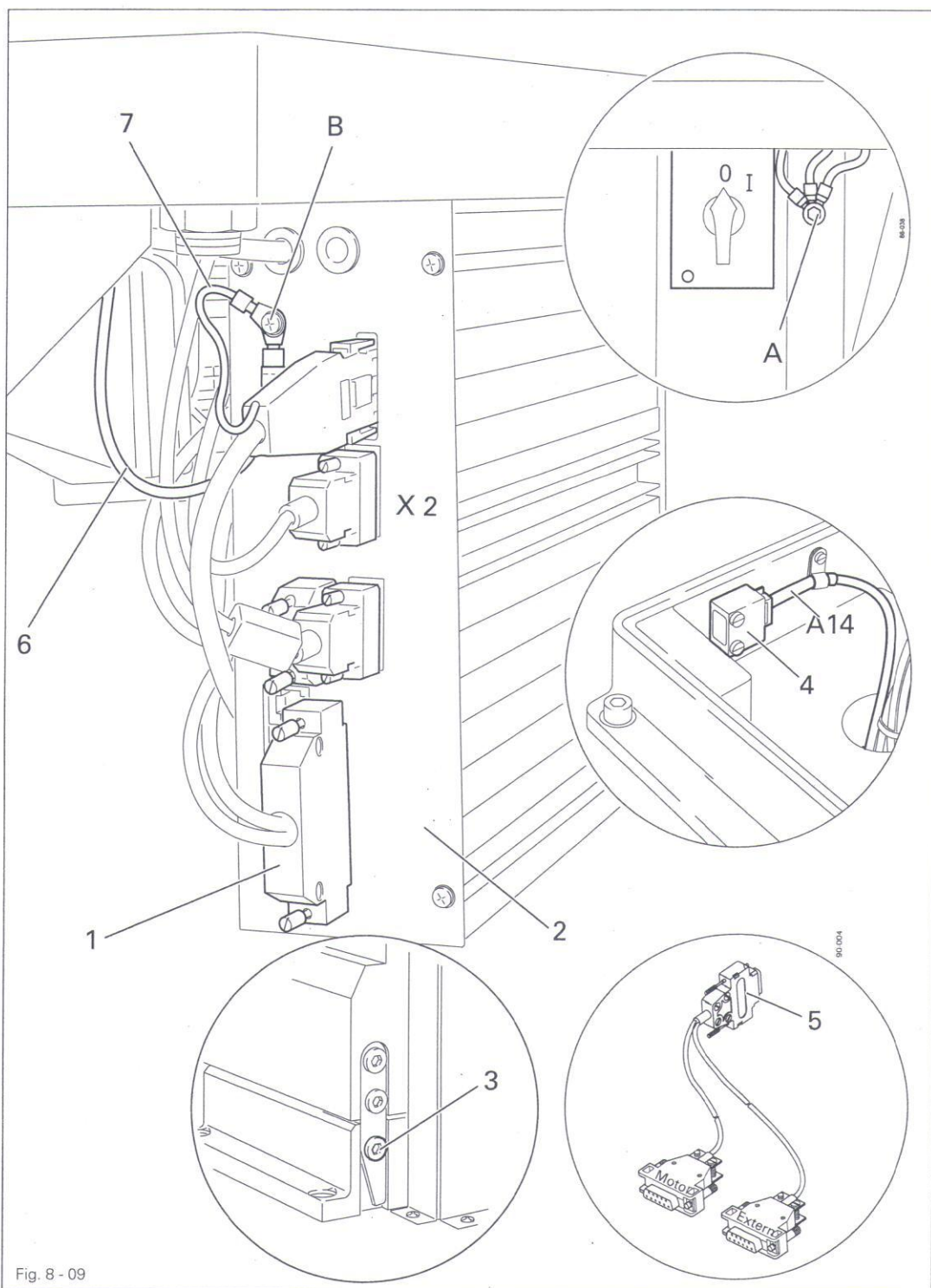


Fig. 8 - 09

- Plug adapter cable 1 into control box 2.
- Remove screw 3 and tilt the machine back.
- Plug the cable coming from the machine to adapter cable 1 as marked.
- Plug the cable A14 coming from adapter 1 to the sewing head recognition unit 4.



Use both hands to set the sewing head upright!

Danger of crushing between the sewing head and the table top!

- Insert plug 5 from the adapter cable to bush X 2.
- Connect the motor to the "motor" plug and the synchronizer to the "external" plug.
- Screw the earth cable from the sewing head and the main switch to earth point A.
- Connect earth point A to earth point B with earth cable 6.
- Screw the earth cable 7 from the motor to earth point B.

8.02 Commissioning

- Check the machine, particularly its electrical wiring and pneumatic tube connections, for any damage.
- Clean the machine thoroughly and oil it (see chapter 10 Care and maintenance).
- Have skilled personnel check if the machine can be operated with the available mains voltage.



Do not operate the machine if there is any discrepancy.



Before commissioning the machine, have specialized personnel check whether the parameter 799 (machine class) is set at "2" and the parameter 800 (sewing direction) is set at "1". If necessary, have the adjustment carried out (see Chapter 8.04 Basic position of the machine drive unit).



The machine may only be connected to an earthed socket!

- Connect the machine to the compressed air supply. When it is connected, the gauge should show a pressure of approx. 6 bar. If necessary, have this reading correctly set (see Chapter 10.08, Checking/adjusting the air pressure).

8.03 Switching the machine on/off

- Switch the machine on (see Chapter 7.01, On/off switch).

8.04

Basic position of the machine drive unit

(only on machines with Mauser-EcoDrive and control unit P40ED)

- Switch on the machine.
- Press the TE/speed key twice to select the input mode.
- Select parameter "798" by pressing the corresponding +/- key, and select service level C, see Chapter Selecting the user level in the instruction manual for the control panel.
- By pressing the corresponding +/- key select the parameter "799" (Selecting the machine class).
- Check whether value "2" is set, and correct it if necessary.



If the parameter has to be altered, operate the TE/Speed key and then switch off the machine and switch it on again. Then select service level C again as described above.

- By pressing the corresponding +/- key, select parameter "800" (selecting the sewing direction).
- By pressing the corresponding +/- key, select the value for the parameter at "1".
- By pressing the corresponding +/- key, select parameter "700".
- Sew a stitch by operating the pedal.
- Turn the balance wheel in the sewing direction until the descending needle is level with the top edge of the needle plate.
- Then check the parameter values listed in the parameter list (see Chapter 10.09 Parameter Settings) and adjust them if necessary.
- Conclude the adjustment of the sewing motor by pressing the TE/Speed key.

9 Setting up

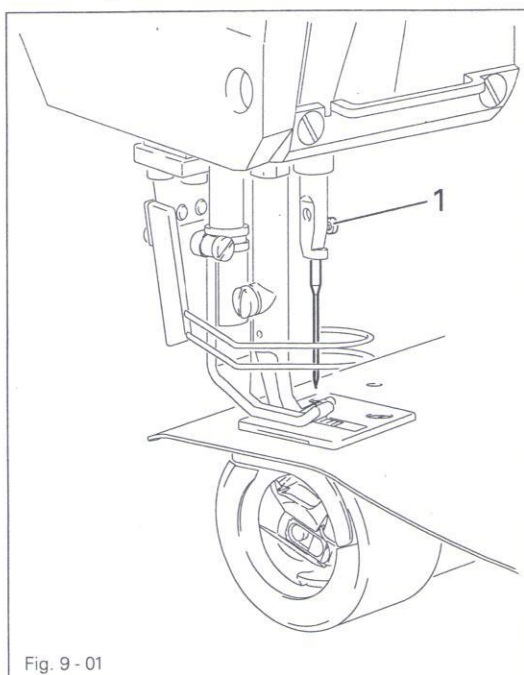


All instructions and regulations in this instruction manual must be observed. Special attention must be given to all safety regulations!



All setting-up work must only be done by personnel with the necessary training. For all setting-up work the machine must be isolated from its power supply by turning off the on/off switch or removing the machine plug from the electric power socket!

9.01 Inserting the needle



Switch the machine off!
Danger due to unintentional starting of the machine!



Only use needles from the system intended for the machine, see Chapter 3 Specifications.

- Raise needle bar.
- Loosen screw 1 and insert needle until you feel it stop.
- The long needle groove must be aligned in the direction of the machine head.
- Tighten screw 1.

Winding the bobbin thread, adjusting the thread tension

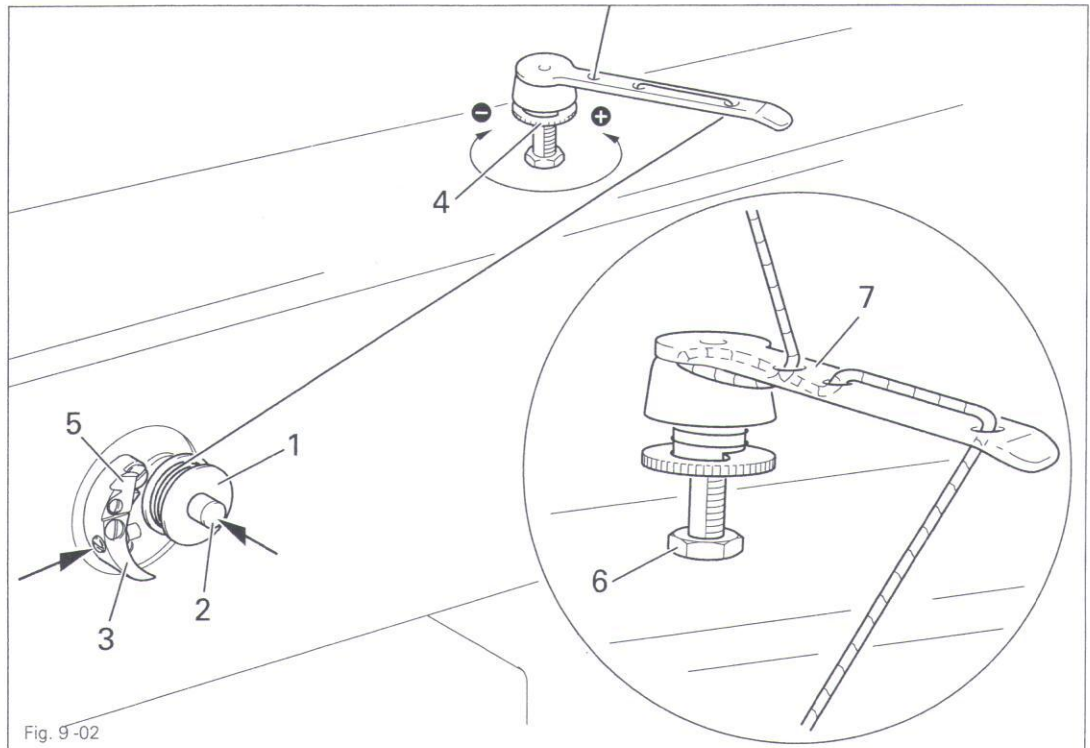


Fig. 9-02

- Place an empty bobbin 1 onto bobbin shaft 2.
- Thread the bobbin in accordance with Fig. 9-02 and wind it anti-clockwise around bobbin 1 a few times.
- Switch on the bobbin winder while at the same time pressing bobbin winder spindle 2 and lever 3.



The bobbin fills up during sewing.

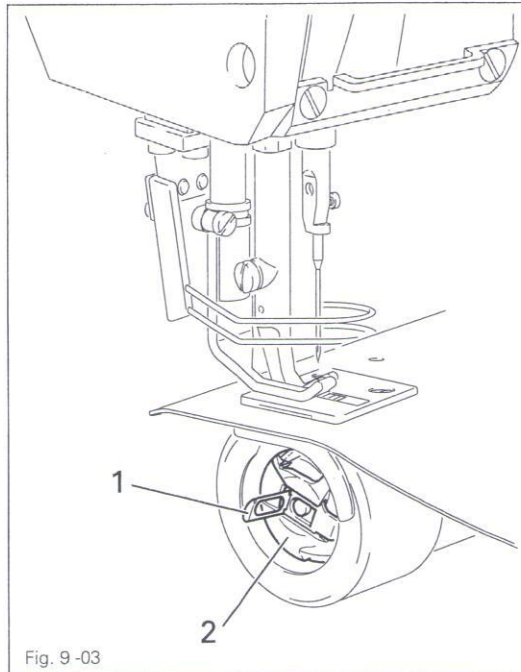
- The tension of the thread on bobbin 1 can be adjusted with knurled screw 4.
- The bobbin winder stops automatically when bobbin 1 is full.
- Remove the filled bobbin 1 and cut the thread on knife 5.



If the thread is wound unevenly, loosen nut 6 and turn thread guide 7 accordingly. Retighten nut 6 after the adjustment.

9.03

Removing / Inserting the bobbin case



Switch the machine off!
 Danger due to unintentional starting of the machine!

Removing the bobbin case:

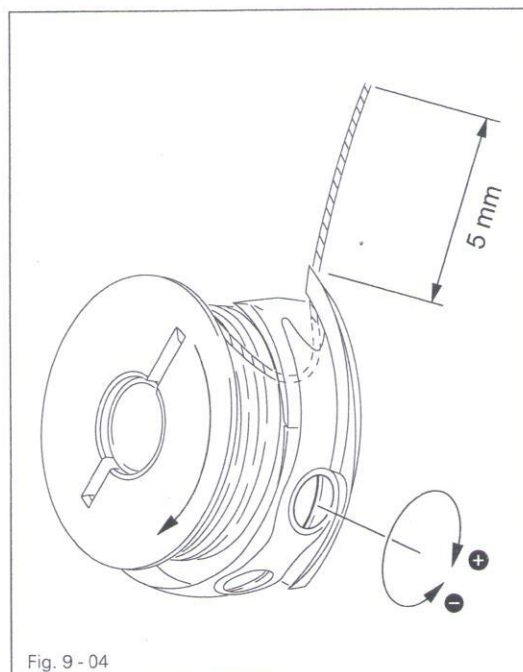
- Lift latch 1 and take out bobbin case 2.

Inserting the bobbin case:

- Insert full bobbin case 2 so that you feel it snap in place.

9.04

Threading the bobbin thread and regulating the bobbin thread tension



- Thread the bobbin as shown in Fig. 9-04.
- When the thread is pulled, the bobbin must rotate as shown by the arrow.
- Regulate the bobbin thread tension on screw 1.

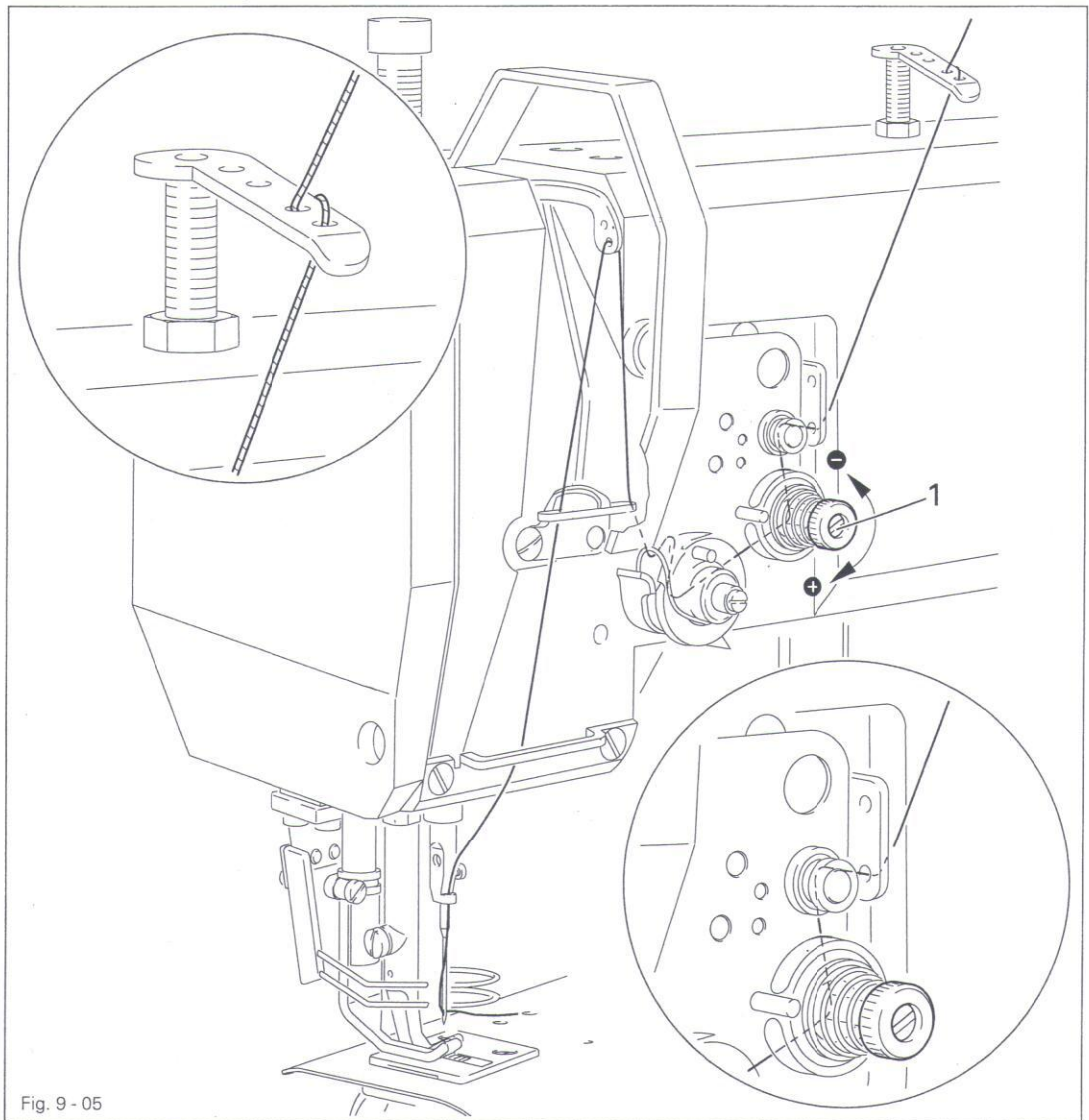


Fig. 9 - 05



Switch the machine off!
Danger due to unintentional starting of the machine!

- Thread needle thread as shown in Fig. 9-05.
- Be sure to thread the needle from the left.
- Regulate the needle thread tension by turning knurled screw 1.

9.06 Adjusting the stitch counter for the bobbin thread control (only on machines
(only on machines with Mauser Motor and P40 (ED) control unit)

Please see the description in the separate control panel instruction manual.
werden.

- 10 Care and maintenance
- 10.01 Care and maintenance intervals

Cleaning	daily, in continuous operation several times
General oiling	twice a week
Oil the hook	daily, before putting into operation
Oil needle-head parts	twice a week
Lubricate the bevel gears	once a year
Lubricate the top-feed drive eccentric	Annually
Check/adjust air pressure	daily, before putting into operation
Check water bowl of air filter/regulator	daily, before putting into operation



The maintenance intervals in the table refer to the average machine running time in single-shift operation. If the machine running time is longer than this, it is advisable to shorten these intervals.

10.02 Cleaning

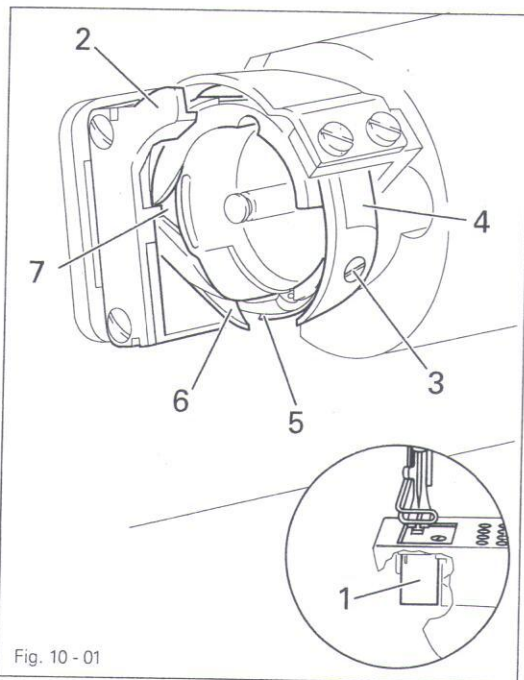


Fig. 10 - 01



Switch off the machine!
Danger of injury due to unintentional starting of the machine!

Cleaning the hook area

- Clean hook area with a brush daily, in continuous operation several times daily.

Cleaning the hook

- Open cylinder-bed cap 1.
- Set needle bar at its highest position.
- Remove top of bobbin case together with bobbin
- Unscrew and remove bobbin case position stop 2.
- Remove screw 3 and take off hook gib 4.
- Turn balance wheel until point 5 is aligned with point 6.

- Take out bobbin case and clean hook race with petroleum spirit.
- When inserting the bobbin case, make sure that the lug on the rear side of bobbin case position stop 2 enters into groove 7.
- Screw on hook gib 4.
- Insert bobbin case and close cylinder-bed cap 1.



Do not run the machine without cylinder-bed cap 1!
Danger of injury by rotating hook!

10.03

General oiling

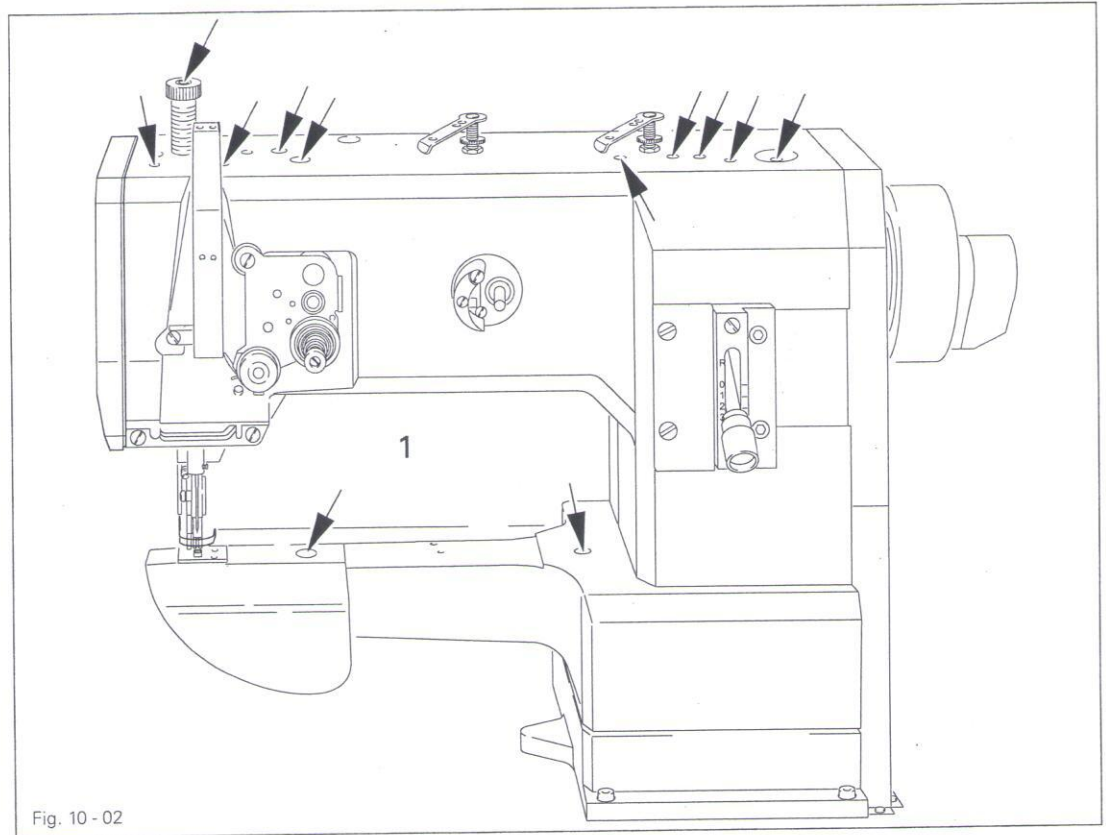


Fig. 10 - 02



Switch off the machine!
Danger of injury due to unintentional starting of the machine!

- Oil all bearing parts above the table top twice a week (see arrows).

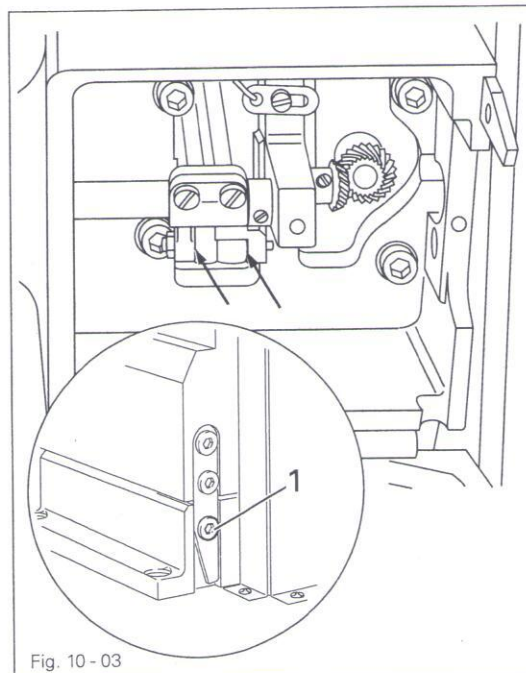


Fig. 10 - 03

- Remove screw 1 and tilt machine backwards.
- Apply oil at all bearing points beneath the table (see arrows) twice a week.



Set the machine upright with both hands!
Danger of crushing between sewing head and table!

- Tighten screw 1 again.

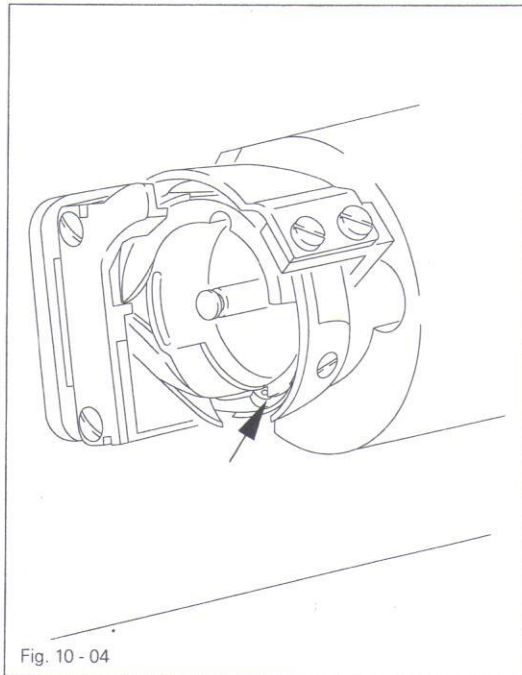


Only use oil with a viscosity of 22.0 mm²/s at 40° C and a density of 0.865 g/cm³ at 15°C!



We recommend MA sewing-machine oil, part No. 280-1-120 144.

10.04 Oiling the sewing hook



Switch off the machine!
Danger of injury due to unintentional starting of the machine!

- Remove the bobbin case.
- Apply 1 - 2 drops of oil to the hook race daily (see arrow).
- Replace the bobbin case.

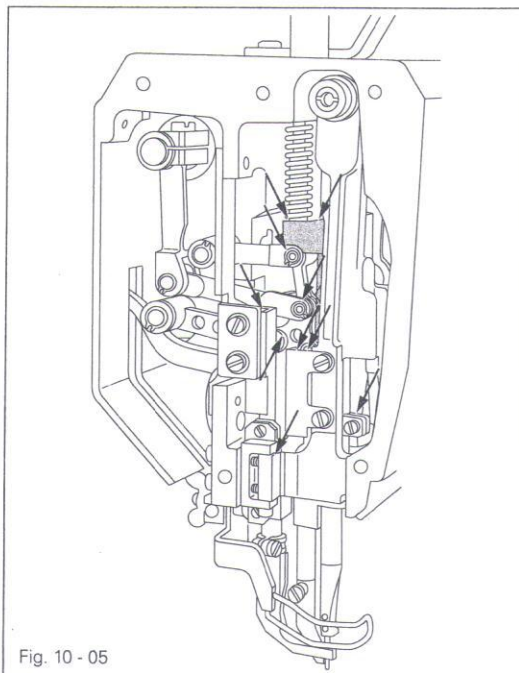


Only use oil with a viscosity of 22.0 mm²/s at 40° C and a density of 0.865 g/cm³ at 15°C!



We recommend MA sewing-machine oil, part No. 280-1-120 144.

10.05 Oiling the needle-head parts

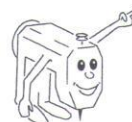


Switch off the machine!
Danger of injury due to unintentional starting of the machine!

- Remove the faceplate.
- Oil all moving parts and bearing points (see arrows) twice a week.
- Refit the faceplate.



Only use oil with a viscosity of 22.0 mm²/s at 40° C and a density of 0.865 g/cm³ at 15°C!



We recommend MA sewing-machine oil, part No. 280-1-120 144.

10.06

Lubricating the bevel gears

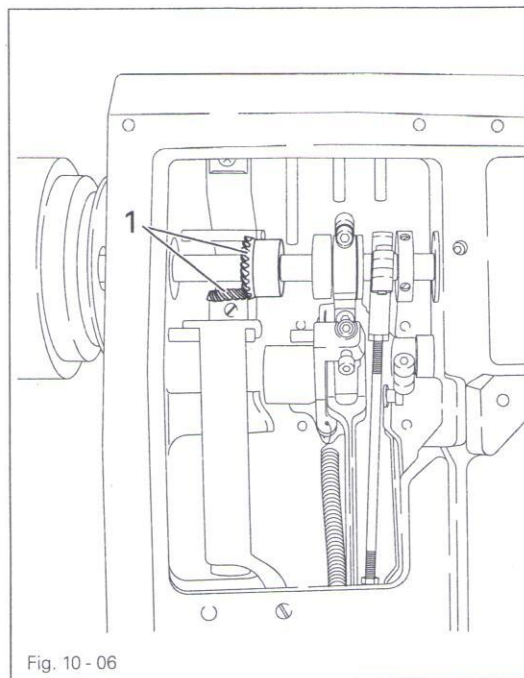


Fig. 10 - 06

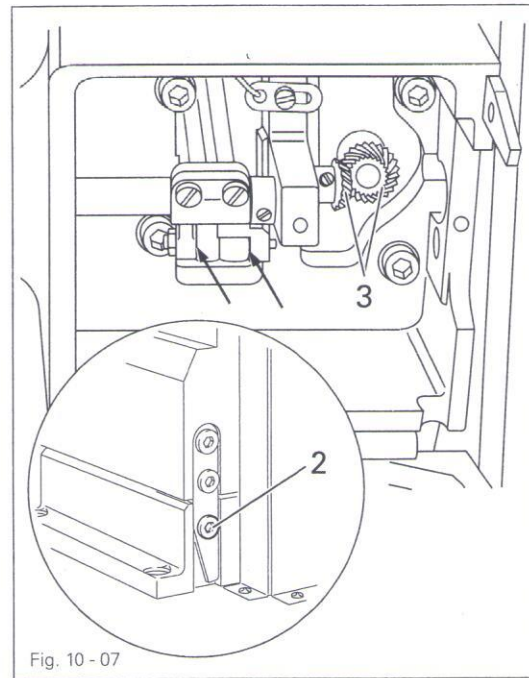


Fig. 10 - 07



Switch off the machine!
 Danger of injury due to unintentional starting of the machine!



All bevel gears must be supplied with new grease once a year.

Top bevel gears

- Unscrew the cover on the rear side of the machine.
- Apply fresh grease to the top bevel gears 1.
- Screw the cover to the rear side of the machine again.

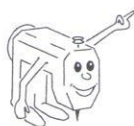
Bottom bevel gears

- Remove screw 2 and tilt the machine back.
- Apply fresh grease to the bottom bevel gears 3.



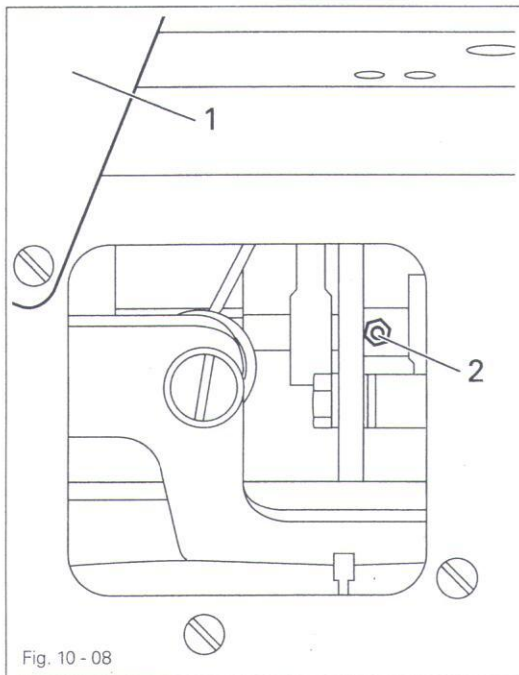
Use both hands to set the sewing head upright!
 Danger of crushing between the sewing head and the table top!

- Retighten screw 2.



We recommend MA sodium grease with a dripping point of approx. 150C,
 Order No. 280-1-120 243.

10.07 Lubricating the top-feed drive excentric



Switch off the machine!
Danger of injury due to unintentional starting of the machine!

- Open cover 1 on the back of the machine.
- Grease nipple 2 at least once a year (use grease gun).
- Screw cover 1 back on.

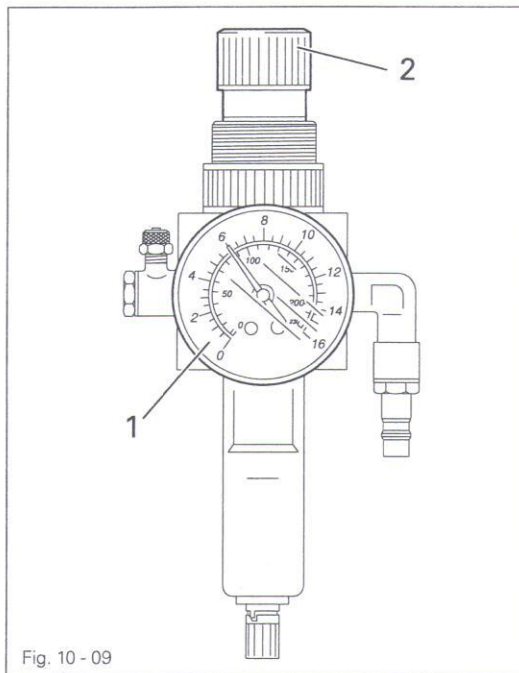


Only use lithium base grease with a dripping point of 185°C and a worked penetration of 22-25 mm at 25°C.



We recommend MA sewingmachine grease Part no. 280-1-120 247

10.08 Checking/regulating the air pressure



- Check the air pressure on gauge 1 every time before operation.
- Gauge 1 must show a pressure of 6 bar.
- Regulate this pressure if required.
- To do so, pull knob 2 up and turn it accordingly.

10.09

Emptying/cleaning the water bowl of the air filter/regulator

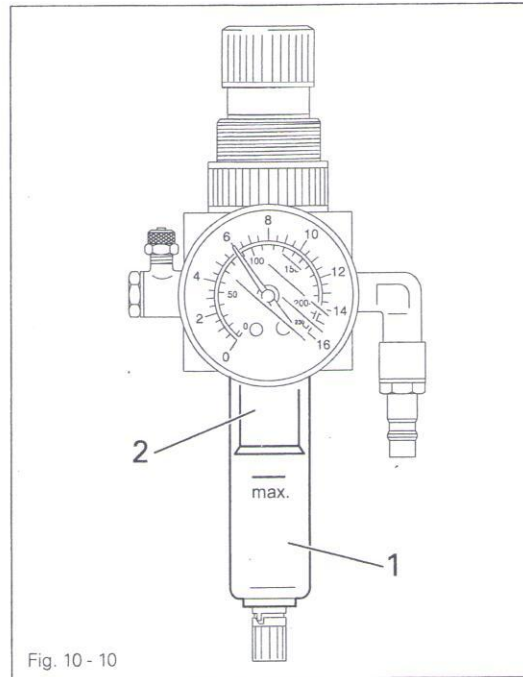


Fig. 10 - 10



Switch off the machine.
Disconnect the air hose at the
air filter/regulating unit.

Emptying the water bowl

- Water bowl 1 empties itself automatically when the air hose is disconnected from the air filter/regulator.

Cleaning the filter

- Unscrew water bowl 1 and take out filter 2.
- Clean the filter with compressed air or with isopropyl-alcohol, part number 95-665 735-91.
- Screw in filter 2 and screw on water bowl 1.

10.10 Parameter settings

(only on machines with Mauser-EcoDrive and control unit P40ED)

- The selection of the user level and the alteration of parameters is described in the separate instruction manual for the drive unit.

10.10.01 Parameter list

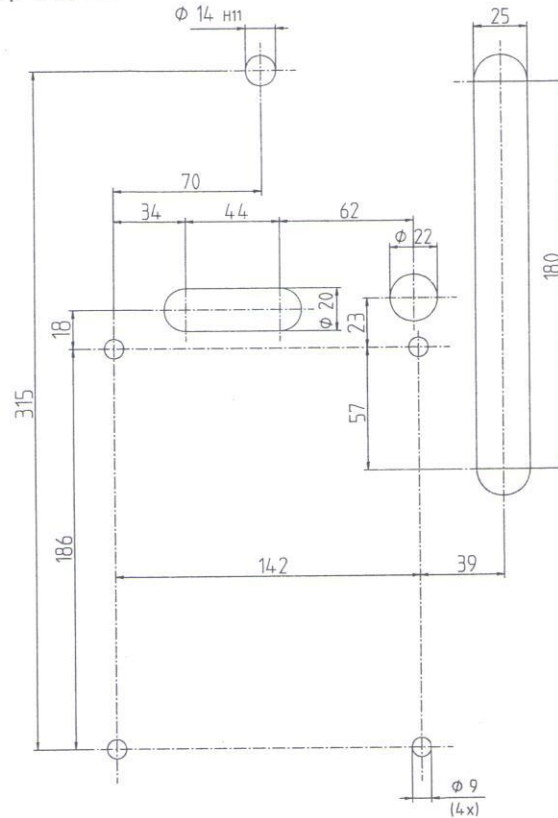
	Parameter	Description	User level	Setting Range	Set Value
1	105	Speed for start backtack	B, C	300 - 2000	800
	110	Speed for end backtack	B, C	300 - 2000	1000
6	607	Speed max.	B, C	300 - 2000	▲
	609	Cutting speed 1	B, C	60 - 300	180
7	700	Needle position 0 (needle reference position)	B, C	0 - 255	*
	702	Needle position 1 (needle lowered)	B, C	0 - 255	85
	703	Needle position 2 (take-up lever raised)	B, C	0 - 255	230
	705	Needle position 5 (end cutting signal 1)	B, C	0 - 255	100
	706	Needle position 5 (start cutting signal 2)	B, C	0 - 255	85
	707	Needle position 9 (start thread tension release/start thread catcher)	B, C	0 - 255	195
	722	Acceleration ramp	B, C	0 - 255	50
	723	Brake ramp	B, C	0 - 255	40
	734	Tact output A2 (thread trimming)	B, C	001 - 009	0
	760	Multiplier for the fixed value (200) stitch count	A,B, C	0 - 250	5
799	Selected machine class	C	1-4	2	
8	800	Rotating direction of the motor	C	0-1	1
	884	Proportional sensitivity of the speed control unit	B,C	03 - 24	10
	897	Variant mini-motor, 1 = long, 2 = short	C	0-1	0
9	900	Additional P- sensitivity of the speed control unit	B,C	1 - 24	9

- ▲ See Chapter 3 Specifications
- * Adjustment see Chapter 8.05 Basic position of the machine drive unit.

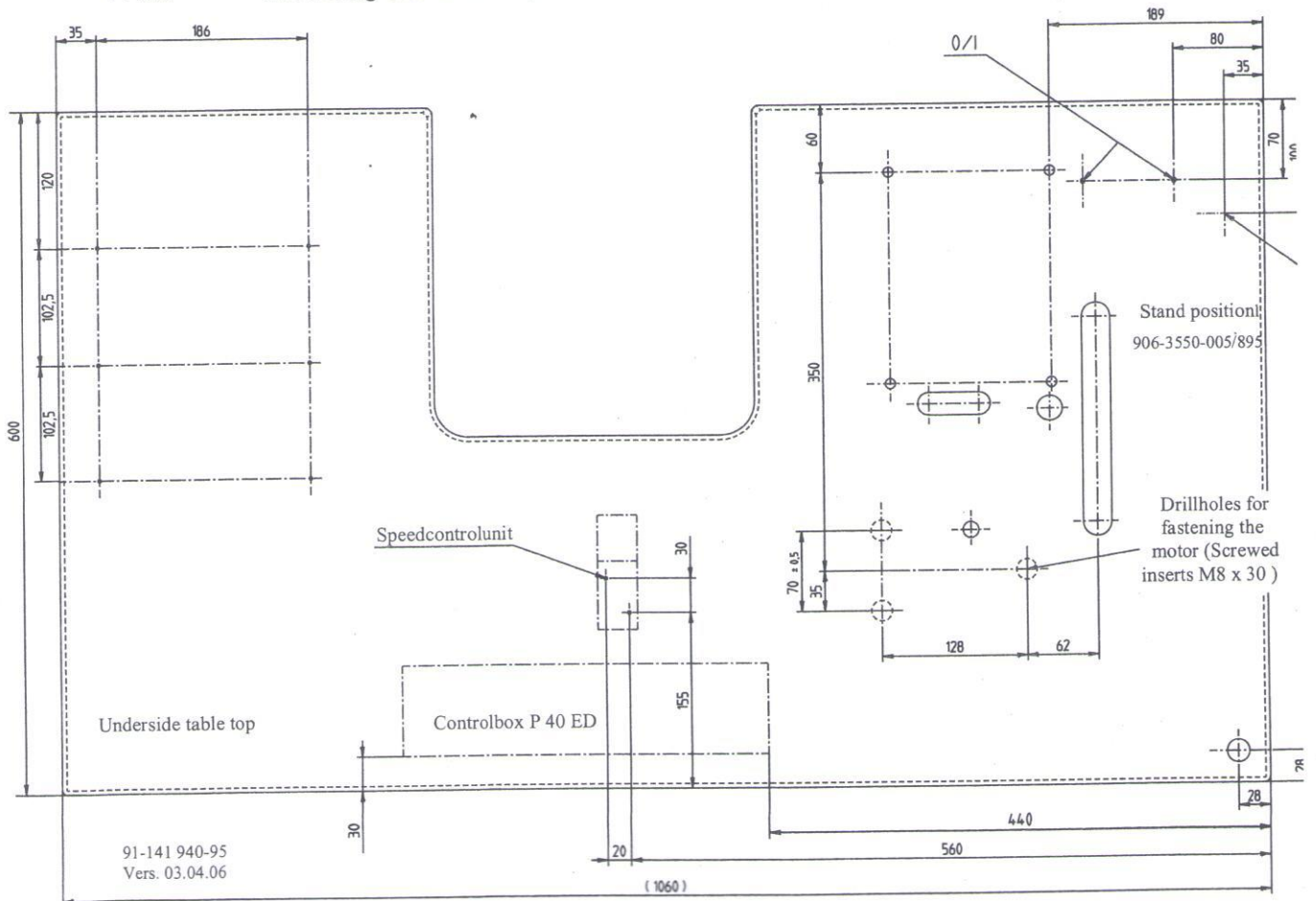


Further parameters and the description for an internet update of the machine software and reset /cold start of the machine can be found in the instruction manual for the control panel.

11.01 Table top cutout



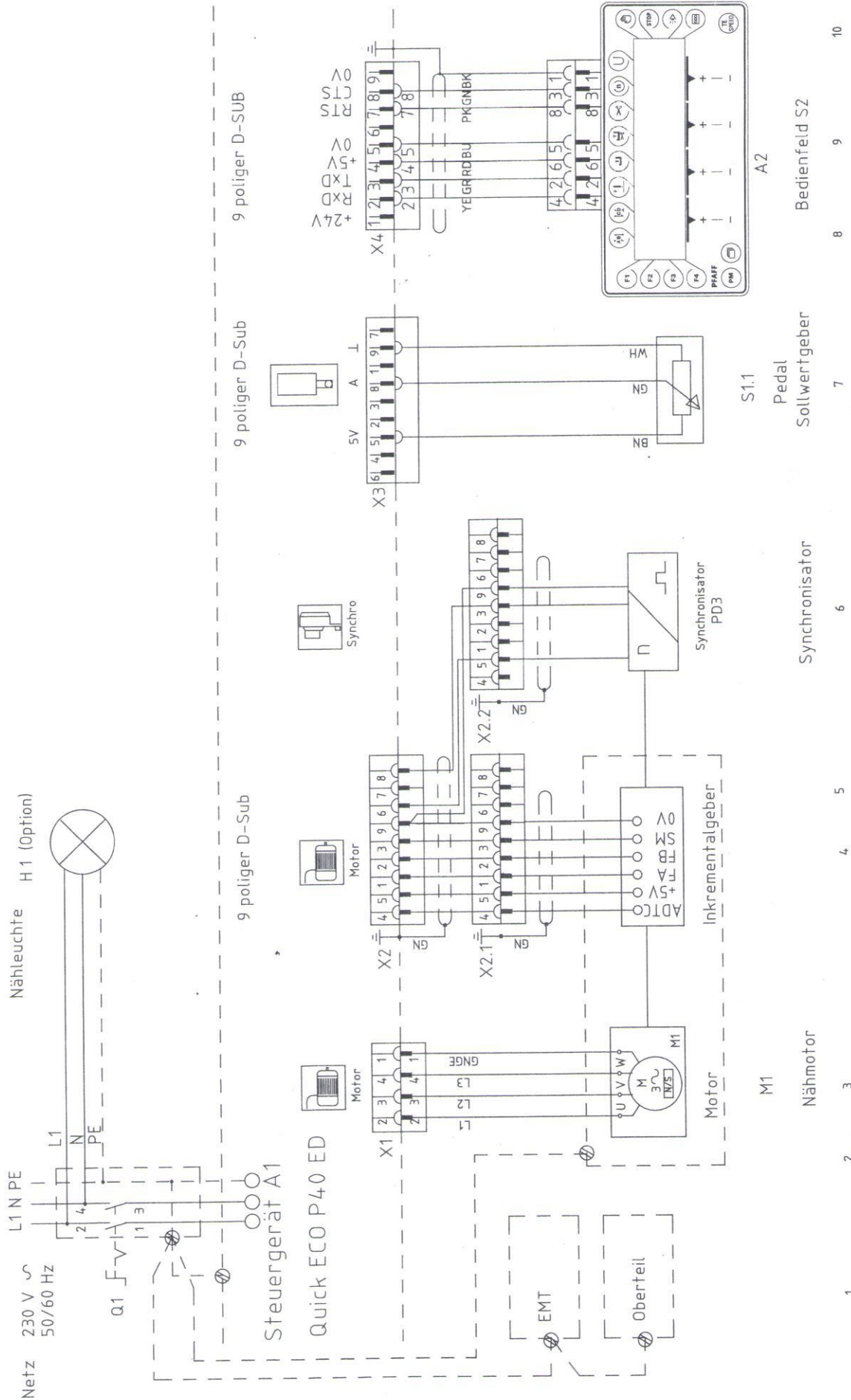
11.02 Mounting the table top



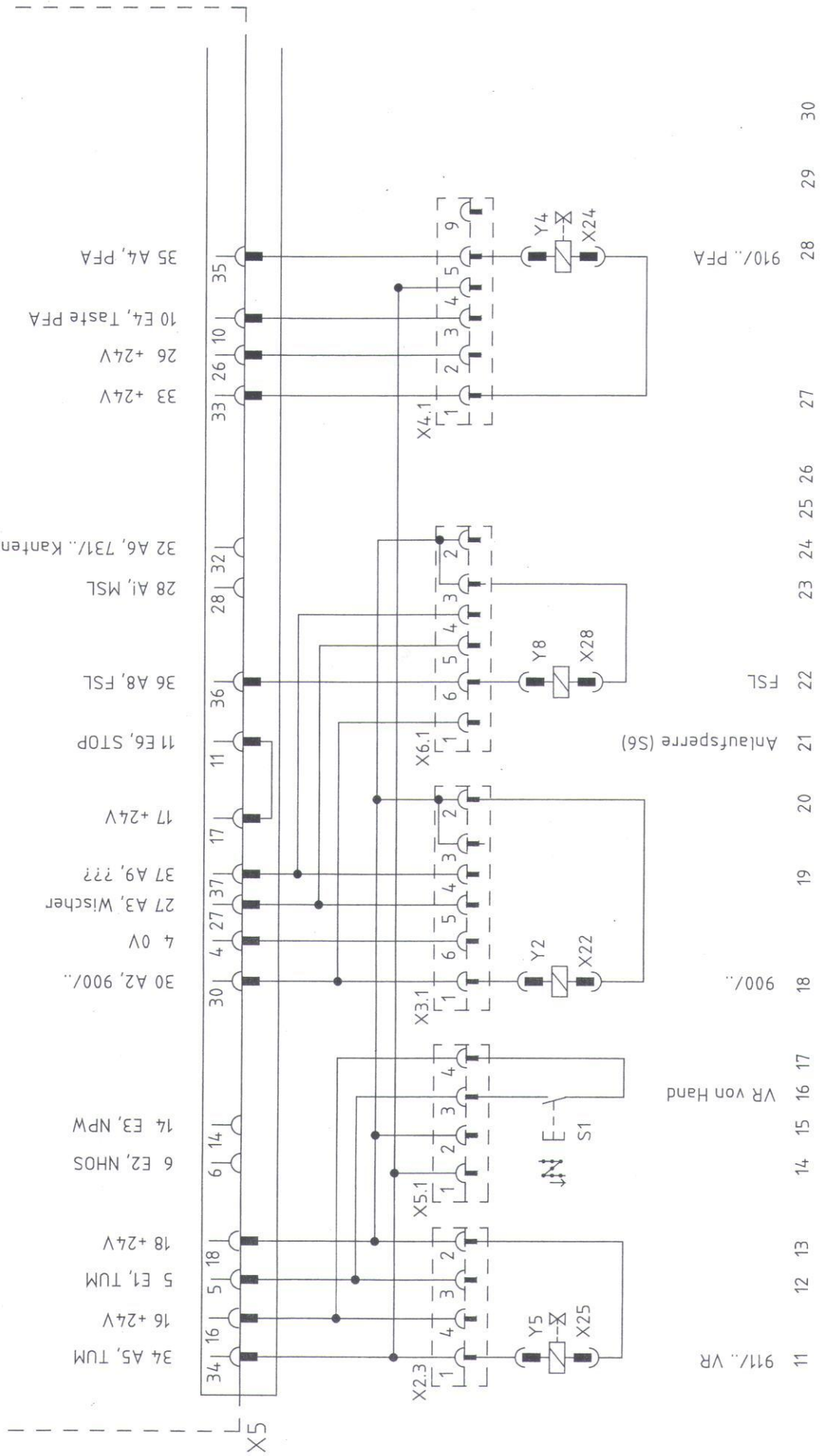
11.03 Circuit diagrams

Reference list for the Circuit diagrams

A1	Control unit Mauser P40 ED
A2	Control panel BDF S2
A14	Sewing head recognition system (OTE)
H1	Sewing lamp (optional)
H10	LED stitch counter
M1	Sewing motor
Q1	Main switch
S1	Manual backtacking key
S1.1	Pedal speed control unit
S2	Needle position change key
S3	Single stitch key
S6	Start inhibitor (E6 stop)
X0	PC-interface (RS 232)
X1	Motor
X2	Incremental transducer
X2.1	Incremental transmitter adapter
X2.2	Synchronizer adapter
X2.3	Y5-911/.. backtacking device
X3	Speed control unit
X3.1	Y2-900/.. thread trimmer (FS)
X4	A2 control panel plug BDF S2
X4.1	Y4 -910/.. automatic foot lift
X5	Out-/input
X6	Bobbin thread monitor (optional)
X6.1	Y8 Thread tension release
X7	Photoelectric barrier (optional)
X22	Y2 -900/.. thread trimmer (FS)
X24	Y4 -910/.. automatic foot lift
X25	Y5 -911/.. backtacking device
X28	Y8 Thread tension release
X40	S1-3 Control panel
X50	A14 Sewing head recognition system (OTE)
Y2	-900/.. thread trimmer
Y4	-910/.. automatic foot lift
Y5	-911/.. backtacking device
Y8	Thread tension release

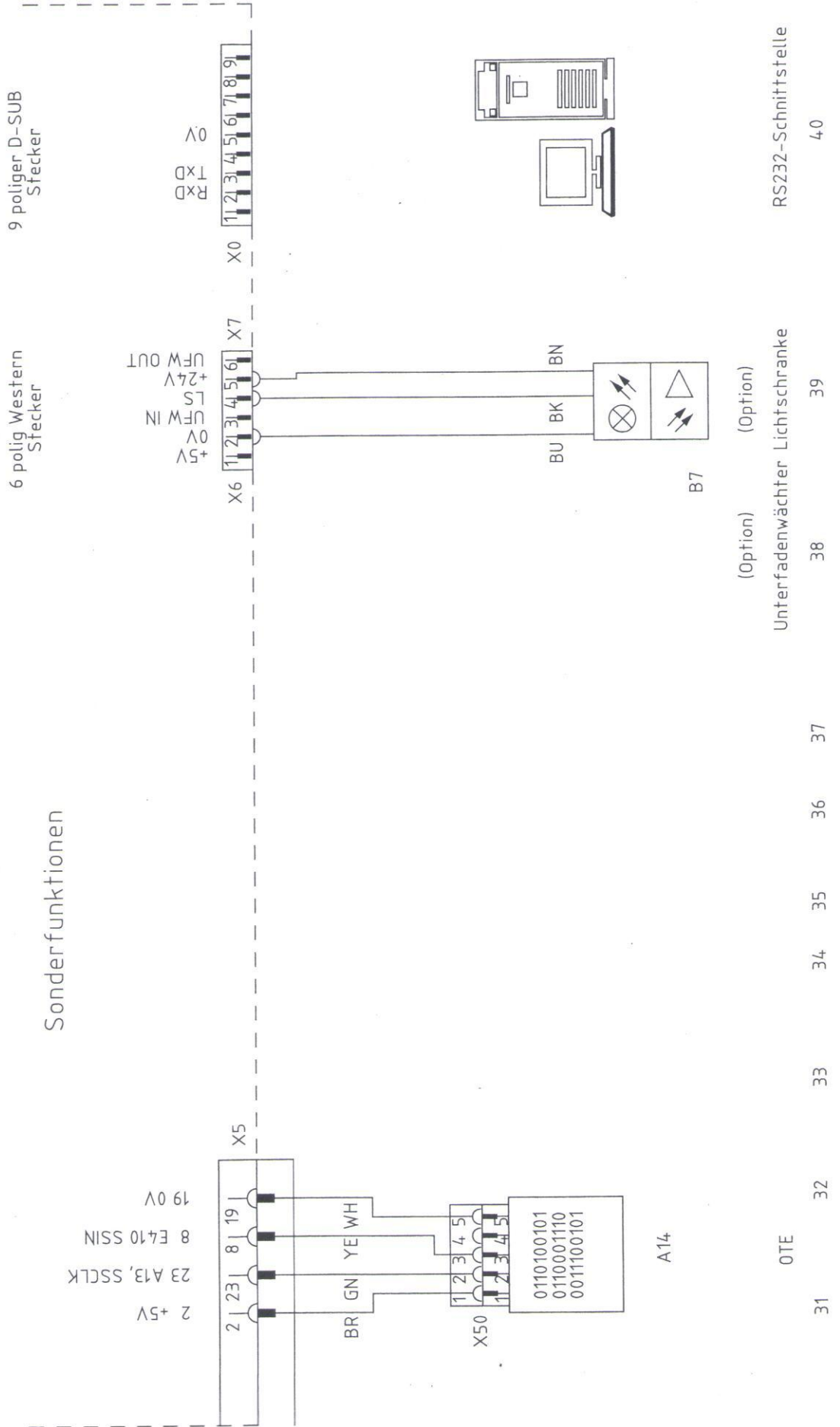


Ausgänge und Eingänge
37 poliger D-Sub
Steuergerät A1
Quick ECO P40 ED



Steuergerät A1 Quick P40 ED

Sonderfunktionen

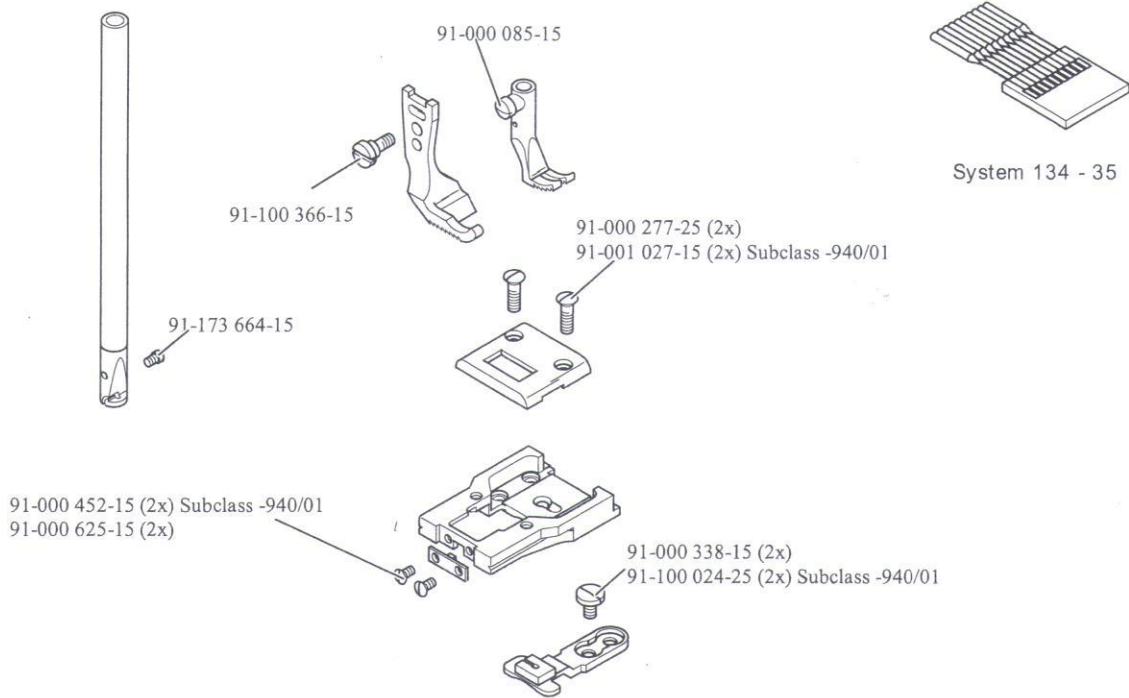


Wearing parts

12

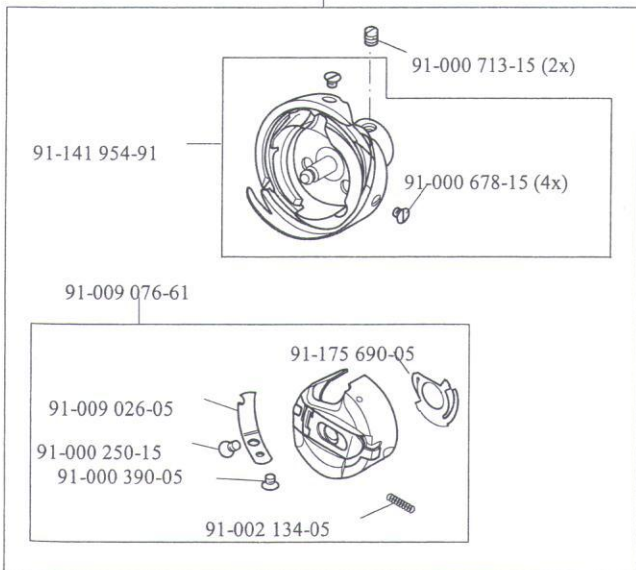
Wearing parts

This is a list of the most important wearing parts.
A detailed parts list for the complete machine is included with the accessories.



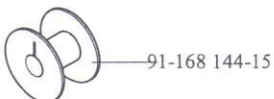
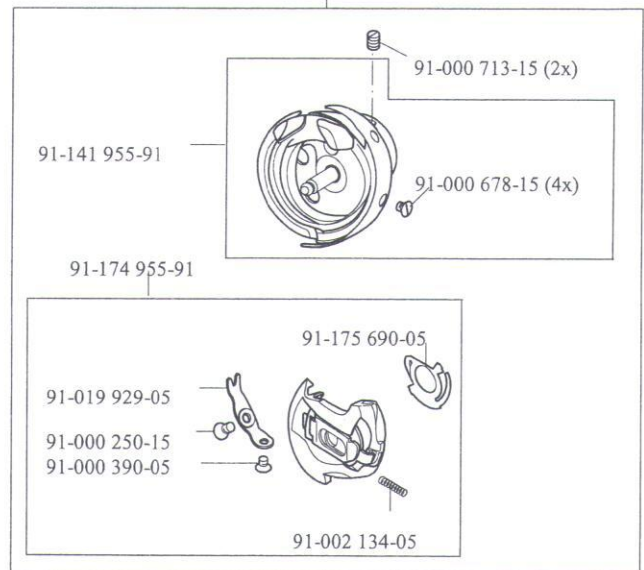
335

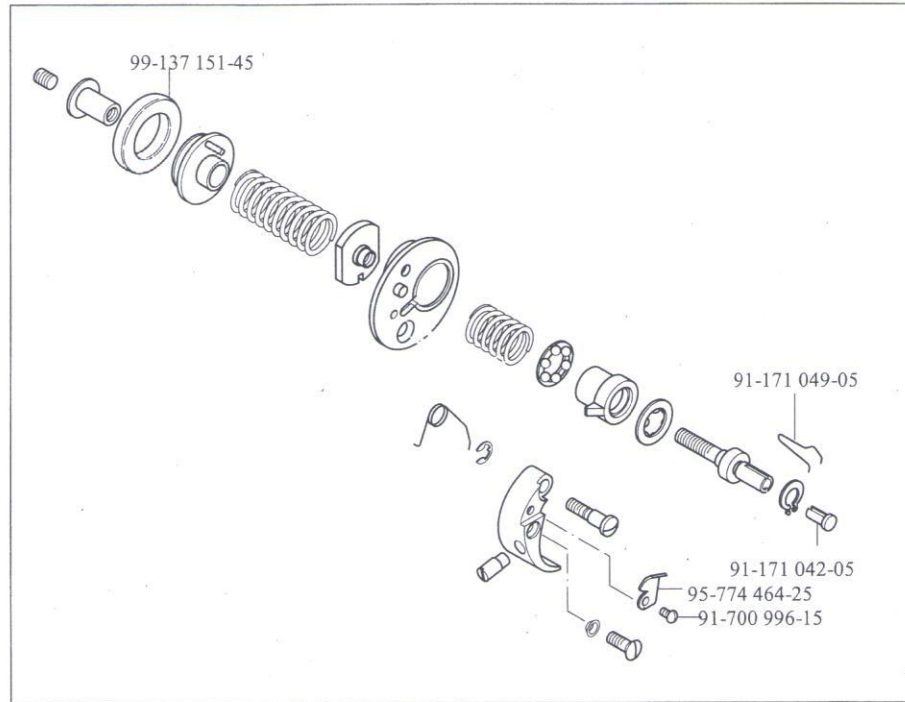
91-060 461-91



335-G

91-060 581-91





MA 335-900/52

