

# FB

# SERIES

INDUSTRIAL SEWING MACHINE

**MODEL**

**FB 2512**

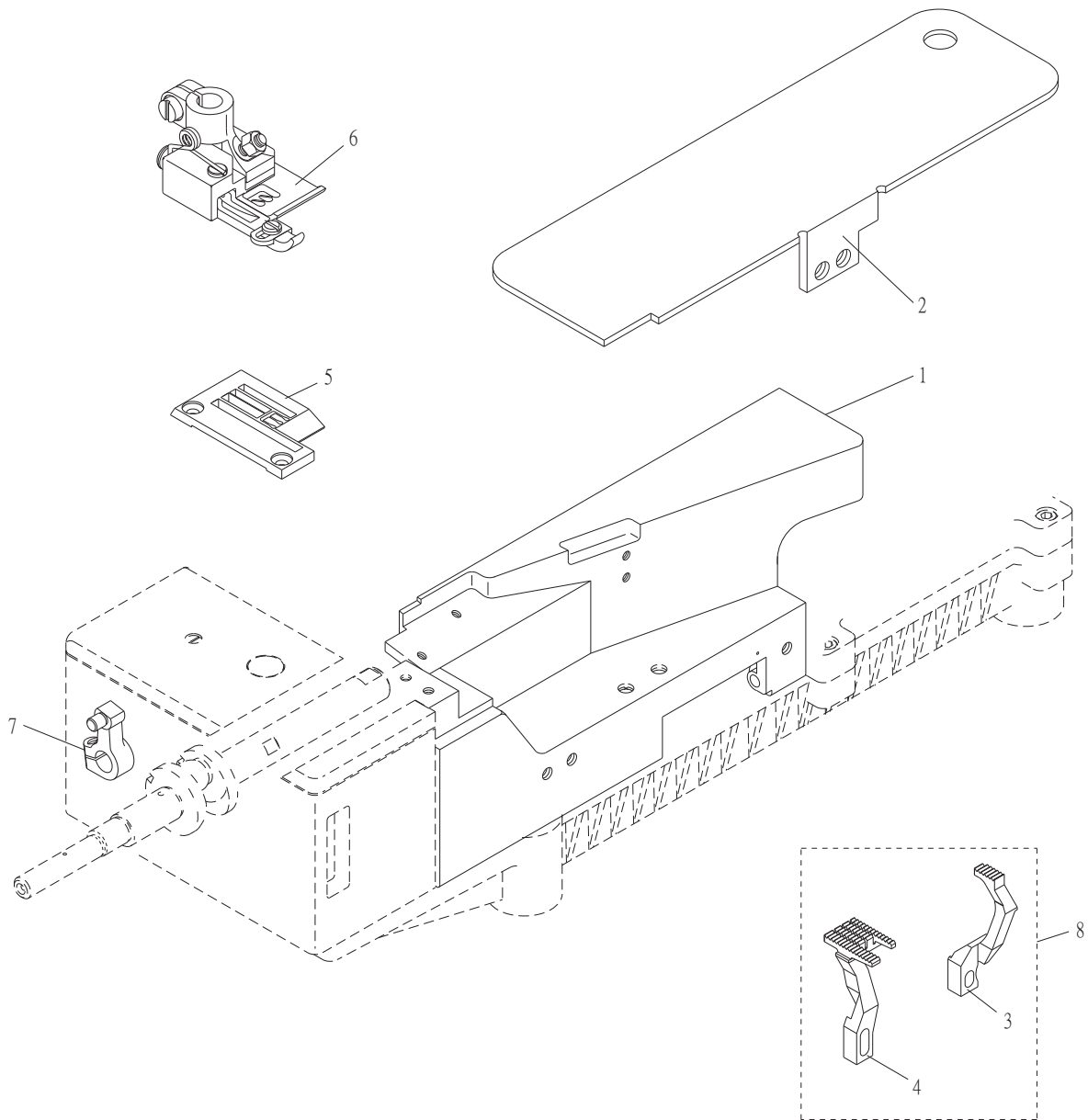
**FB 2513**



**HIGH SPEED FLAT BED  
INTERLOCK MACHINE**

**Parts List**

1. FT□□03 平形圓領包邊用零件列表Parts List For FT□□03 Collarettes Knitted Binding

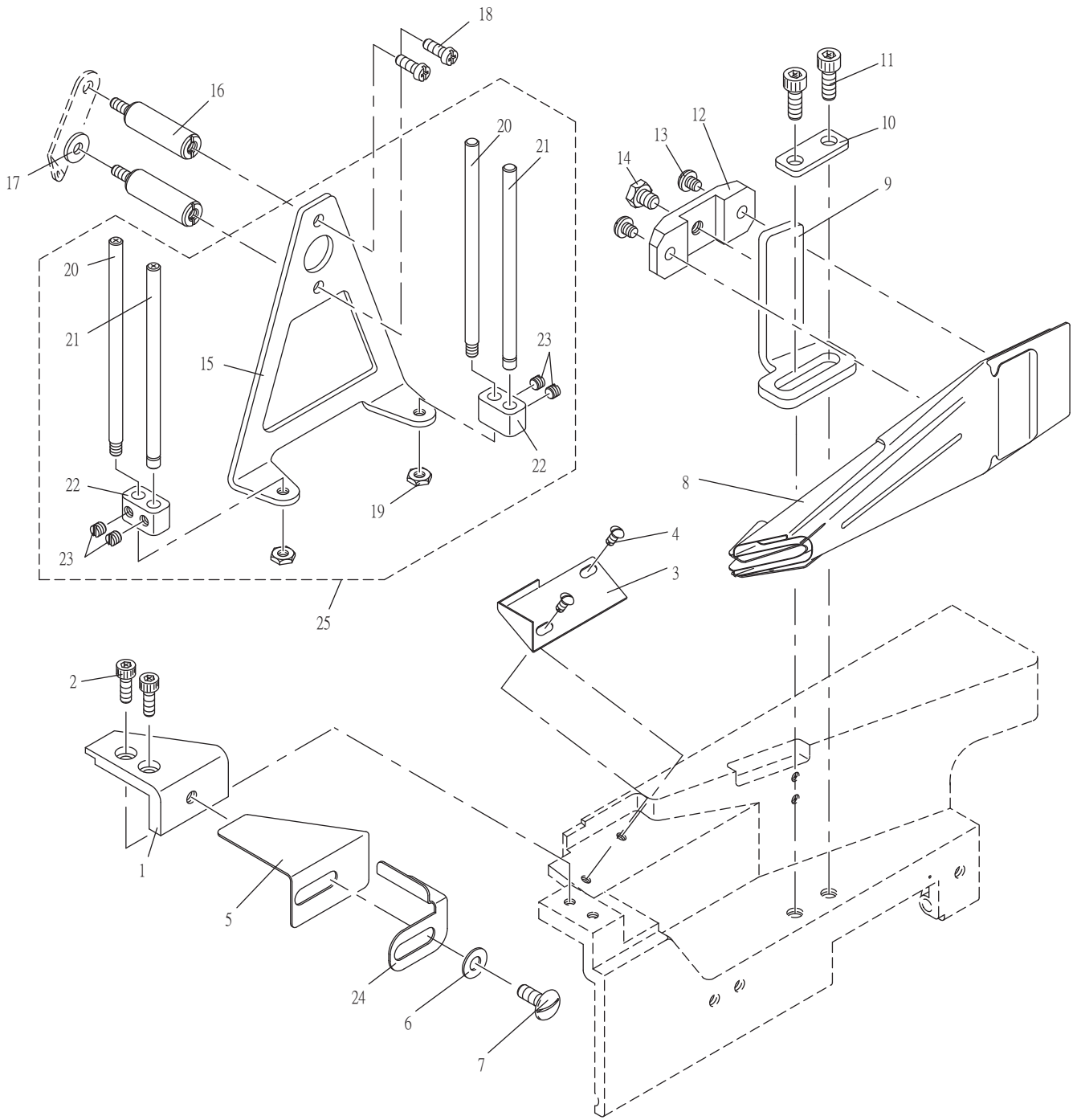


序號 Ref.No.	名稱 Description	針距 DistanceOfNeedles			
		4.0	4.8	5.6	6.4
5	針板 Needle Plate	5222TP03401	5222TP03481	5222TP03561	5222TP03641
6	壓腳 Presser Foot	5222PF03401	5222PF03481	5222PF03561	5222PF03641

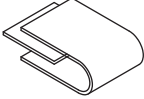
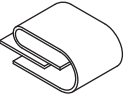

1. FT□□03 平形圓領包邊用零件列表Parts List For FT□□03 Collarettes Knitted Binding

序號	物料編號	名稱	單位用量
Ref. No.	Parts Number	Description	Amt.Req.
1	2210030101	下座前蓋 Front Cover -----	1
2	2210030102	防塵蓋 Dust Cover -----	1
3	5221DF03563	副送布齒 Diff Feed Dog -----	1
4	5223FD03560	主送布齒 Main Feed Dog -----	1
5	-----	針板 Needle plate (see Left Page) -----	1
6	-----	壓腳組 Press Foot Asm. (see Left Page) -----	1
7	2210390256	曲柄 Lever -----	1
8	5223DG0001	送布齒組 Feed Dog Asm.-----	1

## 2. FT□□03 平形成型導模用零件表 Parts List For FT□□03 Folder and Tape Guide



### 8. 導模型式 Folder Type

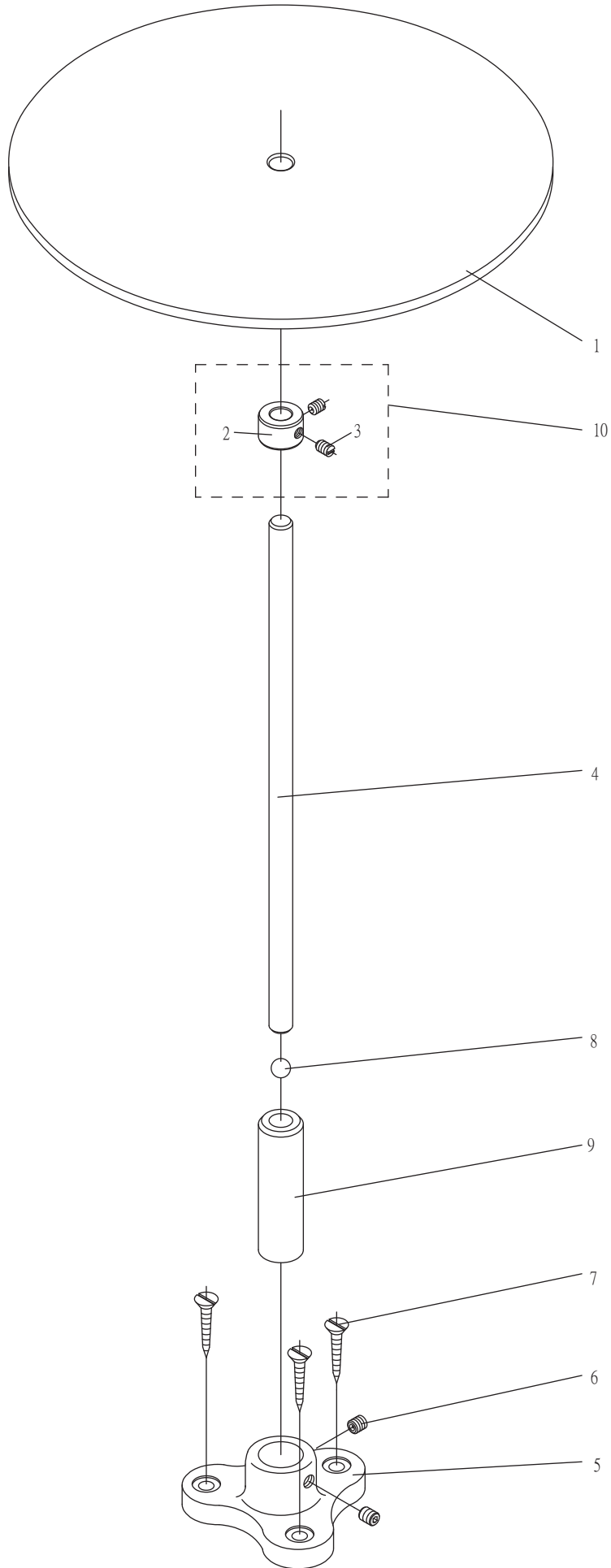
導模型式	 2 折	 3 折	 4 折
Folder Type	Two Fold	Three Fold	Four Fold
圖號 Part No.	221FR0201 (F030208FD2)	221FR0301 (F030208FD3)	221FR0401 (F030208FD4)

2. FT□□03 平形成型導模用零件表Parts List For FT□□03 Folder and Tape Guide

序號	物料編號	名稱	單位用量
Ref. No.	Parts Number	Description	Amt.Req.
1	2210030201	導帶布板座 Farbric Side Plate -----	1
2	8MM04281207A	螺絲 Screw (CT0202 M4-0.7*12) -----	2
3	2210030203	防塵蓋 Dust Cover -----	1
4	8MB04280807K	螺絲 Screw (CT0215 M4-0.7*8) -----	2
5	2200030214	導帶布板 Fabric Silde Plate -----	1
6	90PW050	墊圈 Washer -----	1
7	8MB05320710A	螺絲 Screw (C030217 M5-0.8*7) -----	1
*8	-----	成型導模 Folder ( See Left page ) -----	1
9	2210030209	導模支撐臂 Folder Support -----	1
10	2200030206	夾板 FixingPlate -----	1
11	8MM005321409A	螺絲 Screw (CT0632 M5-0.8*14) -----	2
12	2200030202	導模夾板 Folder Clamp -----	1
13	8SB44400407K	螺絲 Screw(C030203 9/64"-40*4) -----	2
14	8SK56320608A	螺絲 Screw (C030204 7/32"-32*6) -----	1
15	2200030218	導帶桿架 Tape Guide Holder -----	1
16	2200030219	螺樁 Stud -----	2
17	2200030220	墊圈 Washer -----	1
18	8MC04280807D	螺絲 Screw (CT0130 M4-0.7*8) -----	2
19	8SA44400307A	螺帽 Nut (SH0914 11/64"-40 *2.5) -----	2
20	2200030223	導帶桿 Tape Guide Holder -----	2
21	2200030224	導帶桿 Tape Guide Holder -----	2
22	2200030225	帶位調整塊 Tape Adjusting holder -----	2
23	8SN44400400E	螺絲 Screw (SH0104 11/64"-40*4) -----	4
24	2210030224	輔助布板 Aux. Cloth Plate -----	1
25	220A0030228	導帶組 Tape Guide Set -----	1

\*特註品Custom-made Item

3. TS005 滾條輸送帶列表Parts List For TS005 Tape Stand



### 3. TS005 滾條輸送帶列表Parts List For TS005 Tape Stand

序號	物料編號	名稱	單位用量
Ref. No.	Parts Number	Description	Amt.Req.
1	4TS0050101	承盤 Plastic Plate -----	1
2	4TS0050102	調整環 Ring -----	1
3	8SG56320500A	螺絲 Screw (SH0425 7/32"-32*5) -----	2
4	4TS0050104	立柱 Rod -----	1
5	4TS0050105	座 Stand Base -----	1
6	8SK60281207F	螺絲 Screw -----	2
7	8WF50202210A	螺絲 Screw -----	3
8	90BL100	鋼珠 Ball -----	1
9	4TS0050109	承座 Stand Base -----	1
10	4TS005A0102	調整環組 Ring Asm.-----	1