

# **PARTS ASSEMBLIES FOR Bonis Models: 3032, 3027,3014, 3010, 3012, 3032-BD**



**CAUTION:** Order by part number only. When ordering parts, kindly state Serial and Model Numbers of Machine.

The Serial Number is stamped on the back of the main frame.  
The Model Number is printed on name plate on left side.

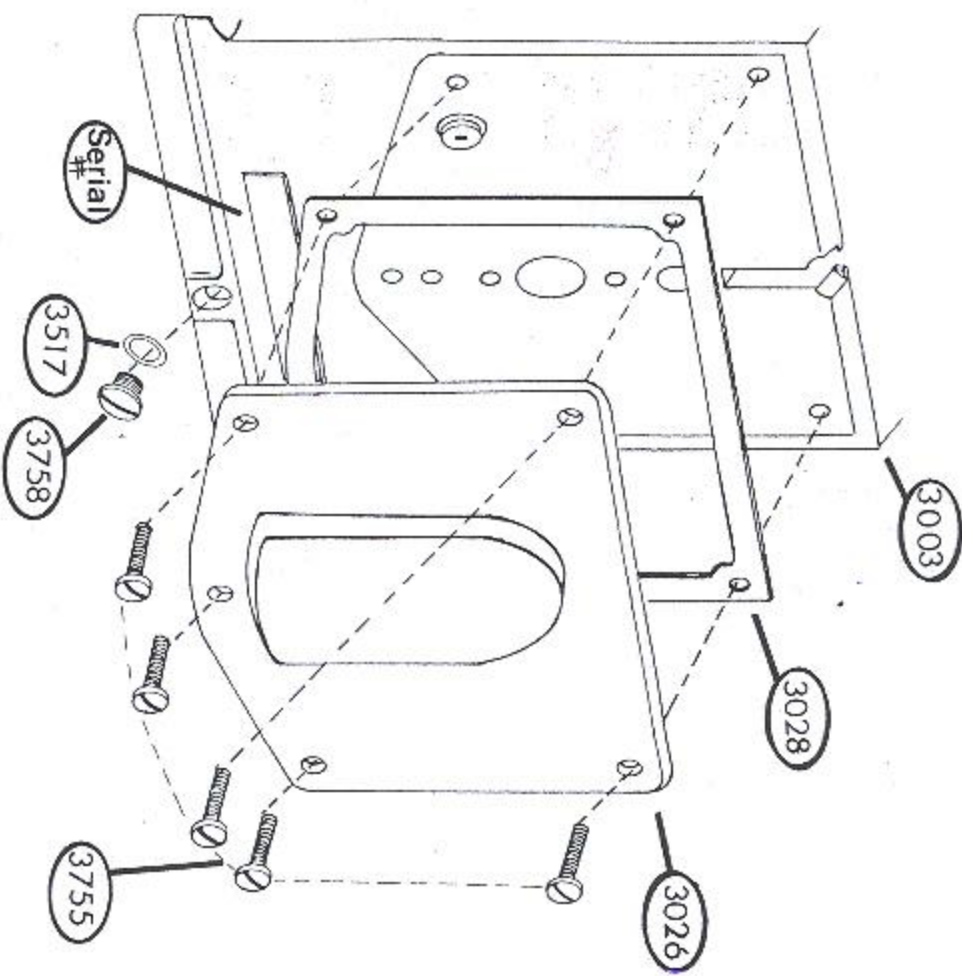
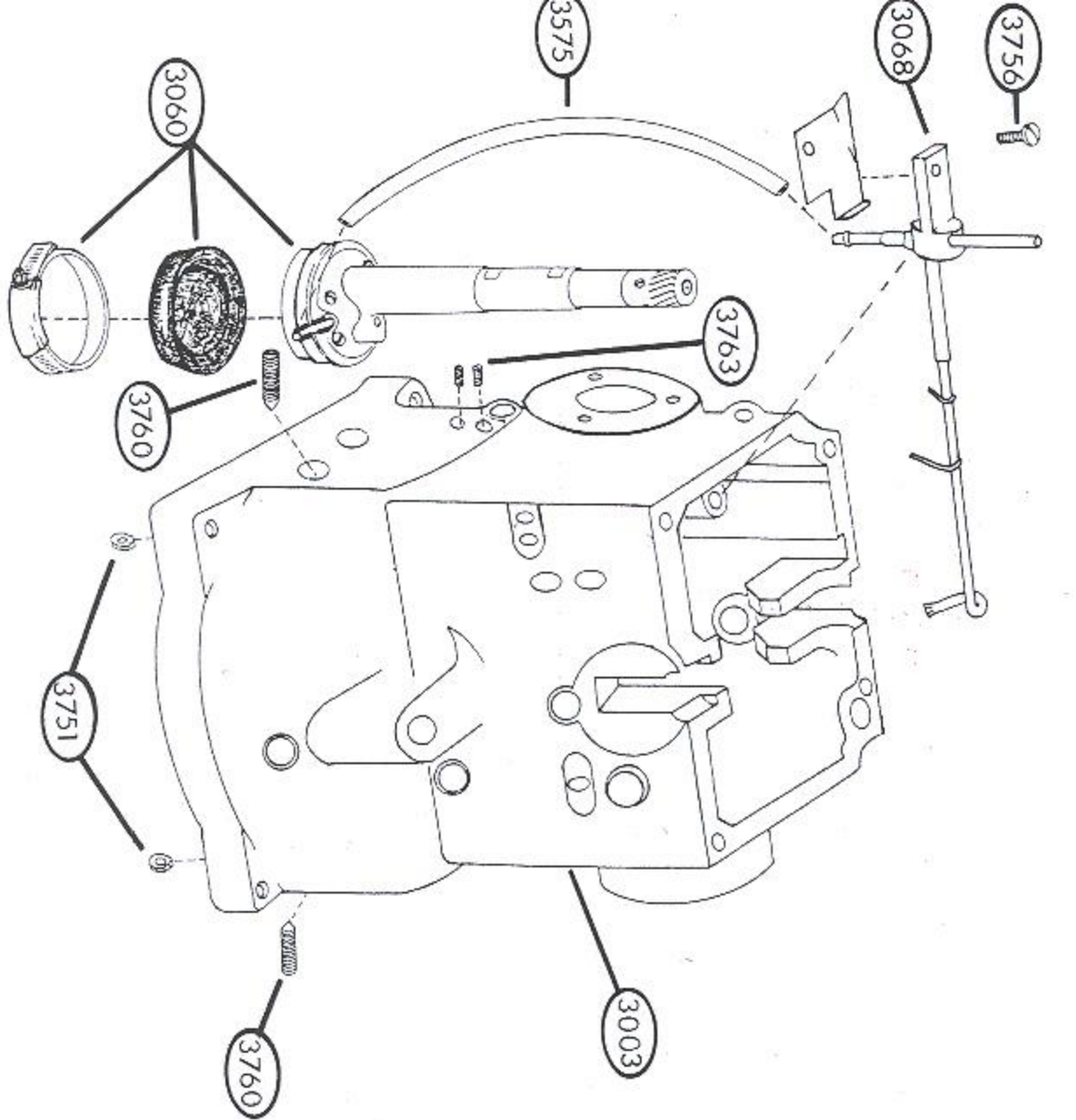
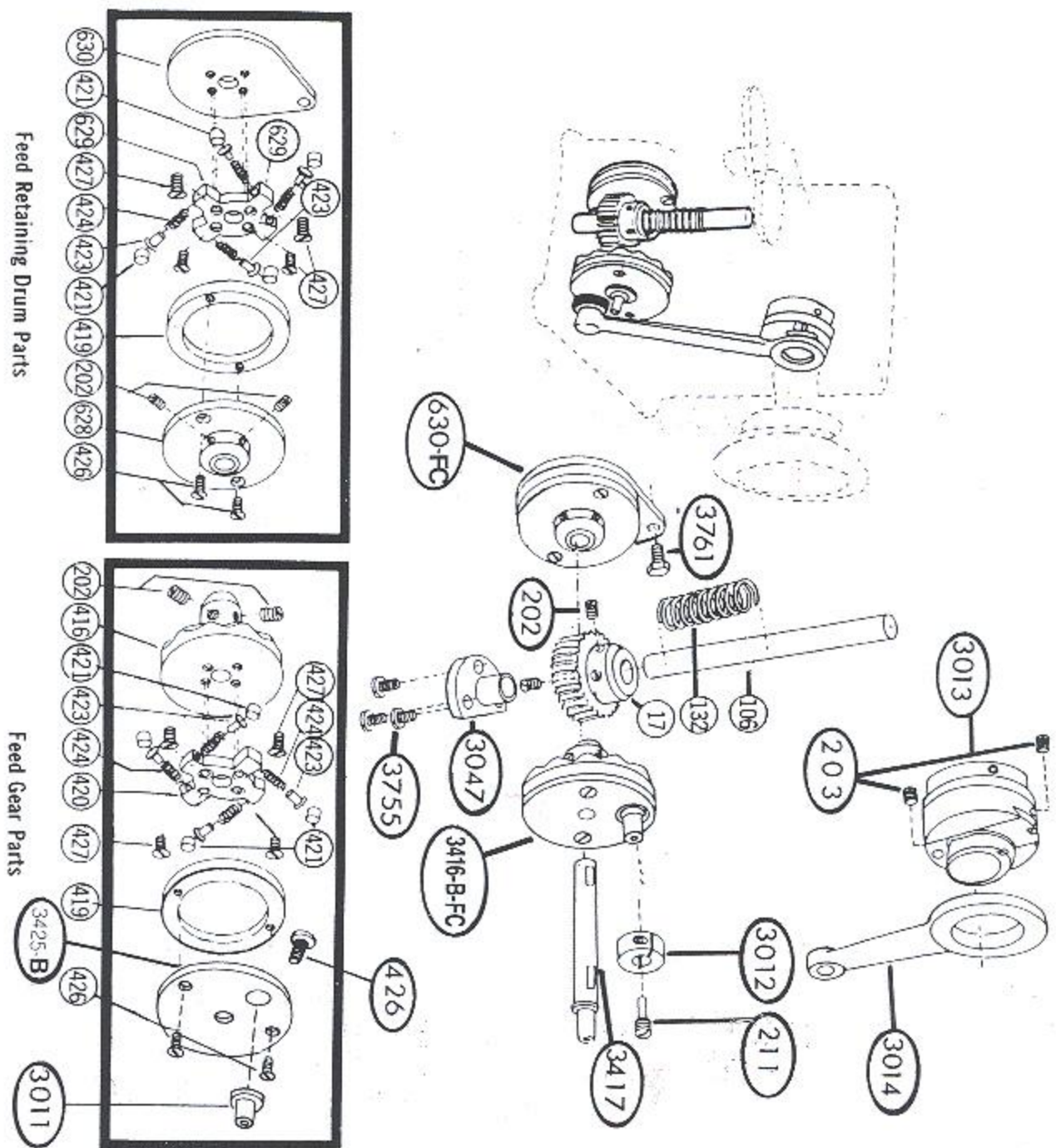


Fig. 1

# MAIN FRAME ASSEMBLY

## Fig. 1

PART NO.	DESCRIPTION
3003	..... MAIN FRAME, "B" CLASS
3026	..... BACK COVER
3028	..... BACK COVER GASKET
3060	..... OIL PUMP ASSEMBLY
3068	..... OIL MANIFOLD ASSEMBLY
3517	..... OIL SEAL WASHER, LARGE
3575	..... OIL TUBE
3751	..... FEED SHAFT NUT
3755	..... BACK COVER SCREWS
3756	..... OIL MANIFOLD SCREW
3758	..... DRAIN CAP
3760	..... FEED GEAR SHAFT SCREW
3763	..... GEAR PUMP SET SCREW



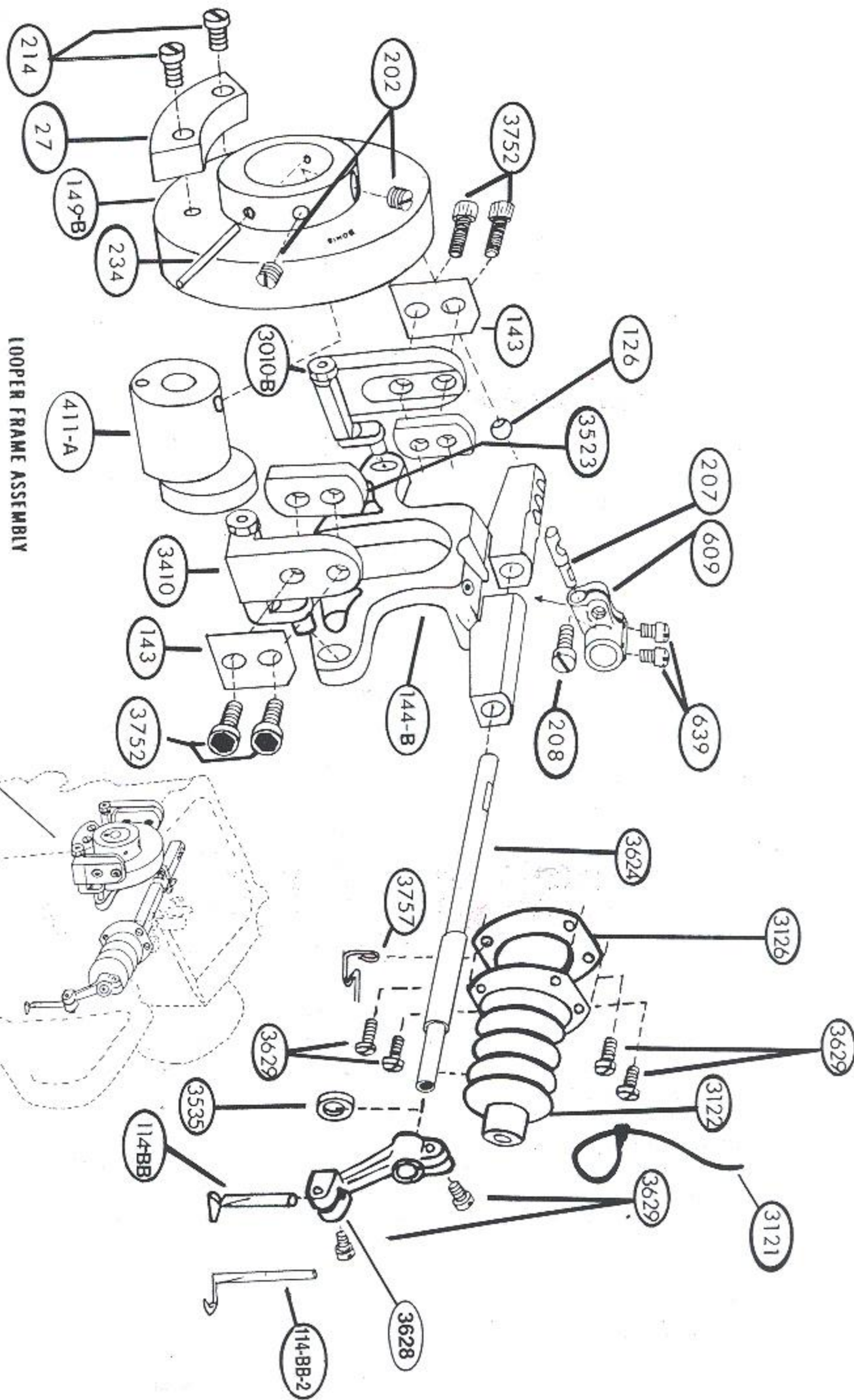
**Fig. 2**

**GEAR AND FEED ASSEMBLY**

# GEAR & FEED ASSEMBLY

## Fig. 2

PART NO.	DESCRIPTION
17	FEED GEAR, SMALL
106-B	FEED DISC SHAFT
132	FEED DISC SHAFT SPRING
202	SET SCREW 6 REQ'D
203	STITCH INDICATOR SET SCREWS, 2 REQ'D
211	FEED DRIVING SCREW
416-S	FEED GEAR ONLY (STEEL)
419	FEED GEAR RING
420	FEED GEAR CAM
421	FEED GEAR ROLLER, 8 REQ'D
423	FEED GEAR ROLLER PIN, 8 REQ'D
424	FEED GEAR ROLLER SPRING, 8 REQ'D
426	FEED GEAR PLATE SCREW, 5 REQ'D
427	FEED GEAR CAM SCREW, 8 REQ'D
628	FEED RETAINING DRUM
629	FEED RETAINING DRUM CAM
630	FEED RETAINING DRUM PLATE
630-FC	FEED RETAINING DRUM COMPLETE, LEFT SIDE
3011	CONNECTING STUD
3012	ADJUSTABLE CLAMP
3013	STITCH REGULATOR
3014	FEED CONNECTION
3047	FEED DISC SHAFT BUSHING
3416-B-FC	FEED GEAR FITTED COMPLETE, RIGHT SIDE
3417	FEED GEAR SHAFT
3425-B	FEED GEAR PLATE
3755	FEED DISC SHAFT BUSHING SCREW
3761	DRUM PLATE SCREW



**Fig. 3**

# LOOPER FRAME ASSEMBLY

## Fig. 3

PART NO.	DESCRIPTION
27	BALANCE WEIGHT
114-BB	LOOPER
114-BB-2	TWO THREAD LOOPER
126	LOOPER CAM ROLLER
143	ROCKER PACKING (Specify Thickness: .004, .006, .010, .020)
144-B	LOOPER FRAME
149-B	OSCILLATING CAM
202	ECCENTRIC SET SCREW, 4 REQ'D
207	LOOPER CAM ROLLER STUD
208	LOOPER CAM ROLLER STUD SET SCREW
214	BALANCE WEIGHT SCREW, 2 REQ'D
234	LOOPER ECCENTRIC PIN
411-A	LOOPER FRAME ECCENTRIC
609	LOOPER OSCILLATING ARM
639	LOOPER OSCILLATING ARM PINCH SCREW, 2 REQ'D
3010-B	BACK ROCKER, COMPLETE
3122	BELLOW
3126	BELLOW PLATE
3144-B-FC	LOOPER FRAME ASSEMBLY FITTED COMPLETE
3410	FRONT ROCKER, COMPLETE
3523	ROCKER PLATE
3535	BELLOW THRUST WASHER
3624	LOOPER SHAFT
3628	LOOPER HOLDER
3629	LOOPER SET SCREW
3752	ROCKER SCREW
3757	PIG TAIL, THREAD GUIDE

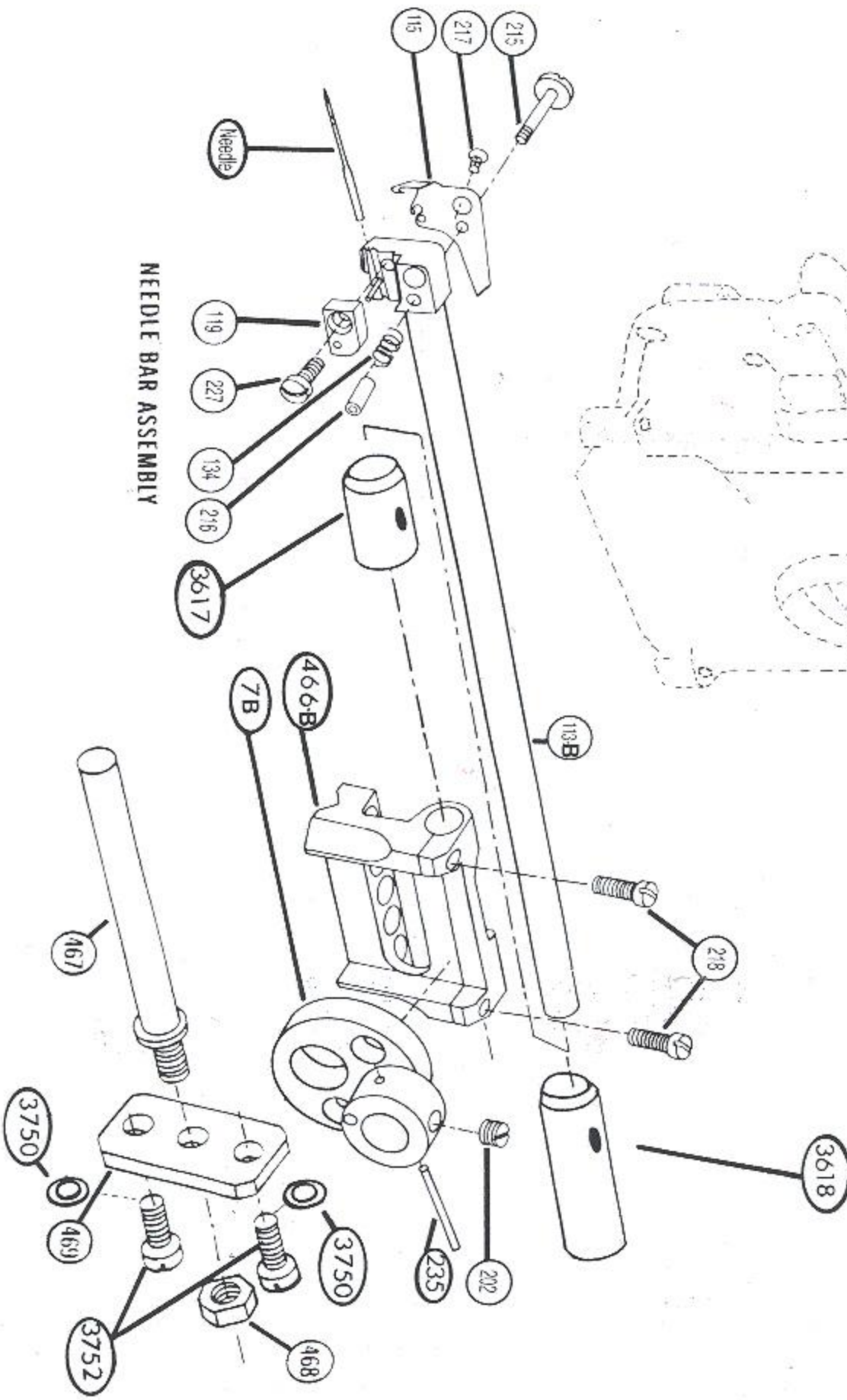
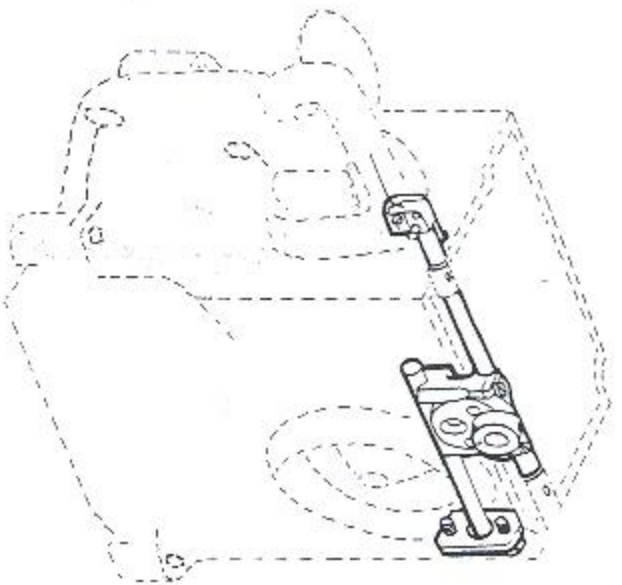


Fig. 4



# NEEDLE BAR ASSEMBLY

## Fig. 4

### PART NO. DESCRIPTION

7-B	NEEDLE BAR YOKE ECCENTRIC
113	NEEDLE BAR (B-R) ORDER BY MODEL NUMBER
115	NEEDLE BAR TENSION PLATE
119	NEEDLE CLAMP
134	NEEDLE BAR TENSION SPRING
202	YOKE ECCENTRIC SET SCREW
215	NEEDLE BAR TENSION PLUNGER
216	NEEDLE BAR PLUNGER NUT
217	NEEDLE BAR TENSION PLATE SCREW
218	NEEDLE BAR YOKE PINCH SCREW, 2 REQ'D
227	NEEDLE CLAMP SCREW
235	YOKE ECCENTRIC PIN
466-B	NEEDLE BAR YOKE
467	NEEDLE BAR YOKE SUPPORT SHAFT
468	NEEDLE BAR YOKE SUPPORT SHAFT NUT
469	NEEDLE BAR YOKE ADJUSTABLE BRACKET
3617	NEEDLE BAR BUSHING, FRONT
3618	NEEDLE BAR BUSHING, REAR
3750	BACK SHAFT SCREW WASHER
3752	ROCKER SCREW

NEEDLE 292 B SYSTEM

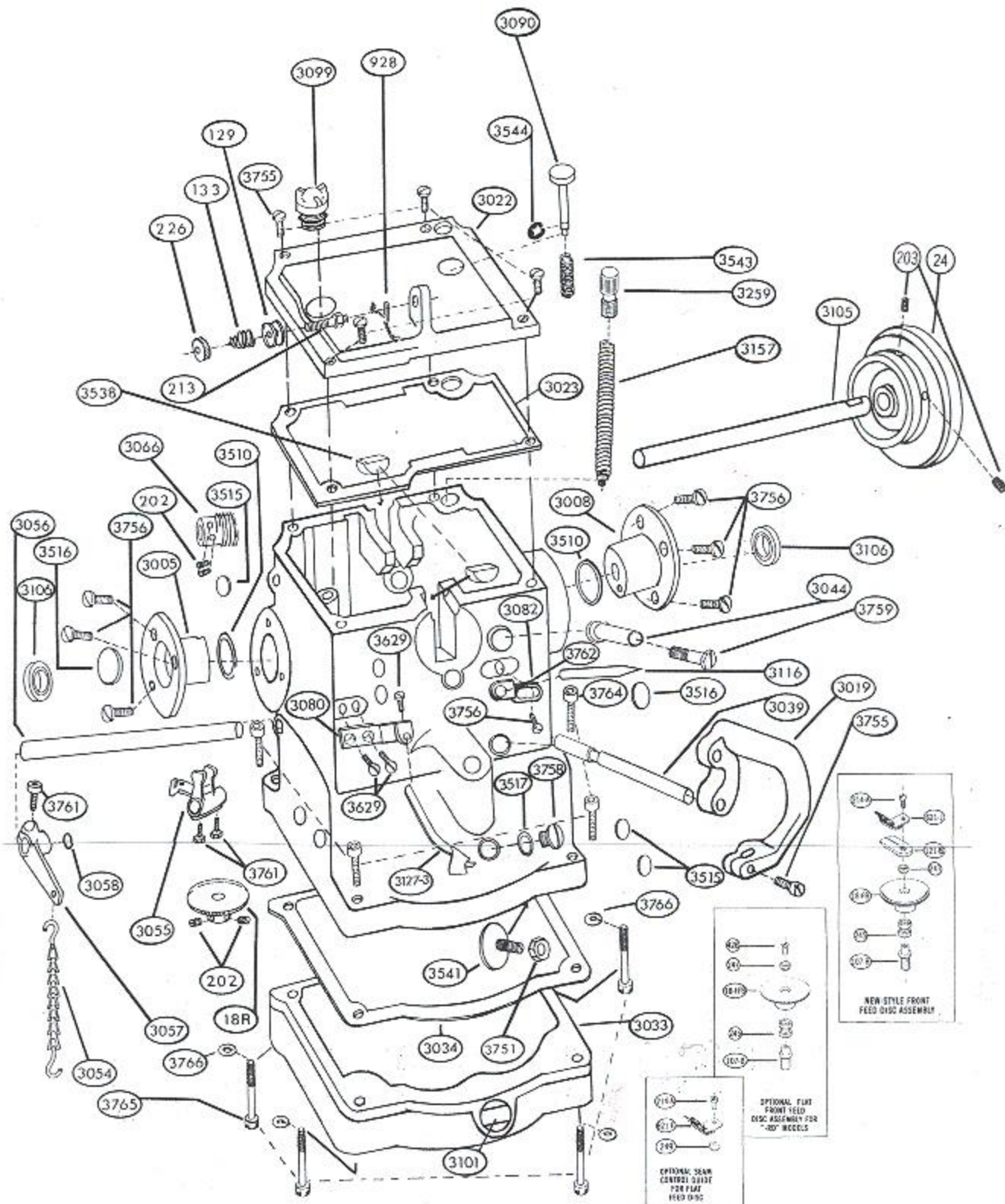


Fig. 5

# MAIN FRAME ASSEMBLY

## Fig. 5

PART NO.	DESCRIPTION
24	BELT WHEEL
18FB/18R	FEED WHEELS, SOLD ONLY AS FITTED COMPLETE UNIT
107-B	FEED DISC STUD FOR BEARING WHEELS
121-B	NEEDLE PLATE
129	TENSION DISC, 2 REQ'D
133	TOP COVER TENSION SPRING
202	SET SCREW, 4 REQ'D
203	BELT WHEEL SCREW, 2 PCS. REQ'D
213	TENSION POST
214-A	NEEDLE GUARD SCREW
226	TENSION NUT
245	SHIELDED BALL BEARINGS, 2 REQ'D
247	SPACER FOR BALL BEARING WHEELS
249	THICK SPACER FOR BALL BEARING WHEELS (USE WITH 621-F ONLY)
426	FEED GEAR PLATE SCREW
621-F	ADJUSTABLE SEAM CONTROL GUIDE FOR FLAT WHEEL
621-J	ADJUSTABLE SEAM CONTROL GUIDE
928	TOP COVER THREAD GUIDE
3005	MAIN SHAFT BUSHING LEFT SIDE
3008	MAIN SHAFT BUSHING RIGHT SIDE
3019	FEED DISC ARM
3022	TOP COVER
3023	TOP COVER GASKET
3033	OIL PAN
3034	OIL PAN GASKET
3039	ARM PIN
3044	STABILIZING ARM PIN
3054	PRESSURE LEVER CHAIN
3055	PRESSURE RELEASE CRANK
3056	PRESSURE LEVER SHAFT
3057	PRESSURE RELEASE LEVER
3058	PRESSURE LEVER O-RING
3066	OIL PUMP WORM GEAR

3080 ..... GUIDE HOLDER  
3082 ..... TENSION POST HOLDER  
3090 ..... PUSH BUTTON  
3099 ..... OIL SIGHT GLASS  
3101 ..... OIL LEVER WINDOW  
3104 ..... MAIN SHAFT (FOR RD MACHINES ONLY)  
3105 ..... MAIN SHAFT  
3106 ..... 1/2 INCH OIL MAIN SHAFT SEAL USE 2 ON RD MACHINE  
3116 ..... NEEDLE BAR TENSION POST  
3127-1 through 3127-15 ..... WORK GUIDE, OR SEAM CONTROL GUIDE  
3157 ..... PRESSURE SPRING  
3259 ..... PRESSURE ARM ADJUSTMENT SCREW  
3510 ..... MAIN SHAFT O-RING  
3515 ..... OIL SEAL CAP, SMALL, 2 REQ'D  
3516 ..... OIL SEAL CAP, LARGE, 2 REQ'D  
3517 ..... OIL SEAL WASHER, LARGE  
3538 ..... RUBBER SEAL, 2 REQ'D  
3541 ..... FEED LEVER GUIDE  
3543 ..... PUSH BUTTON SPRING  
3544 ..... PUSH BUTTON RETAINING RING  
3629 ..... SET SCREW, 2 REQ'D  
3751 ..... FEED LEVER GUIDE NUT  
3755 ..... TOP COVER SCREW, 4 REQ'D  
3756 ..... MAIN SHAFT BUSHING SCREW, 6 REQ'D  
3758 ..... DRAIN CAP, 2 REQ'D  
3759 ..... STABILIZING ARM PIN SCREW  
3761 ..... PRESSURE CRANK, 2 REQ'D  
3762 ..... SET SCREW FOR (3116)  
3764 ..... MACHINE HEAD SCREW, 4 REQ'D  
3765 ..... OIL PAN TABLE SCREW, 4 REQ'D  
3766 ..... OIL PAN TABLE WASHER, 4 REQ'D