

PARTS ASSEMBLIES FOR Bonis Models: A-21, A-18, A-16

3000 series

CAUTION: Order by part number only. When ordering parts, kindly state
Serial and Model Numbers of Machine.

The Serial Number is stamped on the back of the main frame.
The Model Number is printed on name plate on left side.

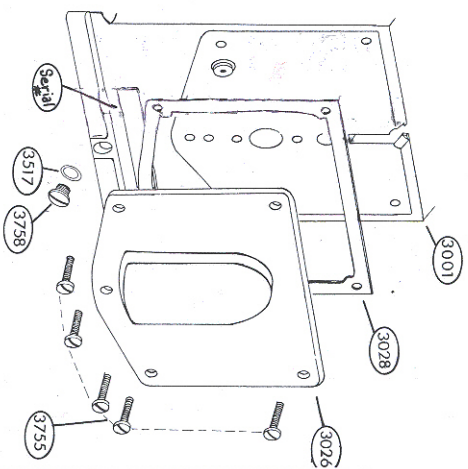
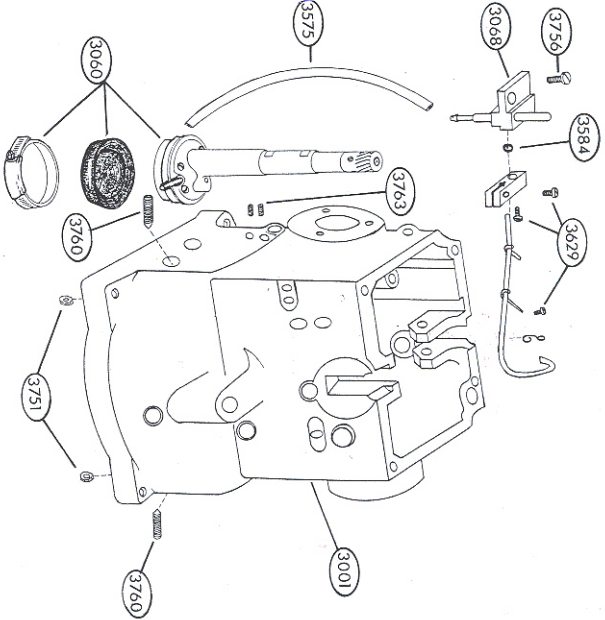
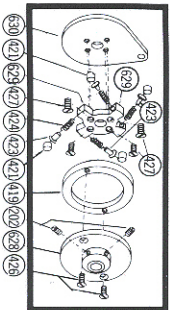
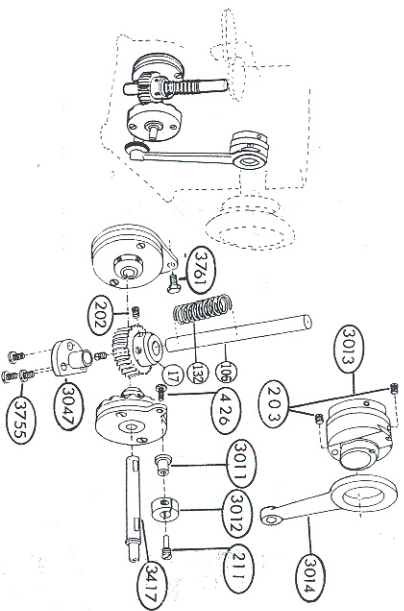


Fig. 1

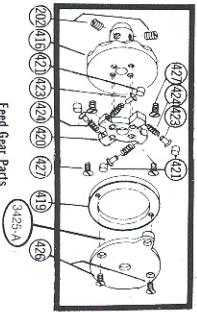
MAIN FRAME ASSEMBLY

Fig. 1

PART NO.	DESCRIPTION
3001 MAIN FRAME
3026 BACK COVER
3028 BACK COVER GASKET
3060 OIL PUMP ASSEMBLY
3068 OIL MANIFOLD ASSEMBLY
3517 OIL SEAL WASHER, LARGE
3575 OIL TUBE
3584 OIL MANIFOLD O-RING
3629 SET SCREWS
3751 FEED SHAFT NUT
3755 BACK COVER SCREWS
3756 OIL MANIFOLD SCREW
3758 DRAIN CAP
3760 FEED GEAR SHAFT SCREW
3763 GEAR PUMP SET SCREW



Feed Retaining Drum Parts



Feed Gear Parts

GEAR AND FEED ASSEMBLY

Fig. 2

GEAR & FEED ASSEMBLY

Fig. 2

PART NO.	DESCRIPTION
17	FEED GEAR, SMALL
106-A	FEED DISC SHAFT
132	FEED DISC SHAFT SPRING
202	SET SCREW REQ'D
203	STITCH INDICATOR SET SCREWS, 2 REQ'D
211	FEED DRIVING SCREW
416	FEED GEAR ONLY
416-FC	FEED GEAR FITTED COMPLETE, RIGHT SIDE
419	FEED GEAR RING
420	FEED GEAR CAM
421	FEED GEAR ROLLER, 8 REQ'D
423	FEED GEAR ROLLER PIN, 8 REQ'D
424	FEED GEAR ROLLER SPRING, 8 REQ'D
426	FEED GEAR PLATE SCREW, 5 REQ'D
427	FEED GEAR CAM SCREW, 8 REQ'D
628	FEED RETAINING DRUM
629	FEED RETAINING DRUM CAM
630	FEED RETAINING DRUM PLATE
630-FC	FEED RETAINING DRUM COMPLETE, LEFT SIDE
3011	CONNECTING STUD
3012	ADJUSTABLE CLAMP
3013	STITCH INDICATOR
3014	FEED CONNECTION
3047	FEED DISC SHAFT BUSHING
3417	FEED GEAR SHAFT
3425-A	FEED GEAR PLATE
3755	FEED DISC SHAFT BUSHING SCREW
3761	DRUM PLATE SCREW

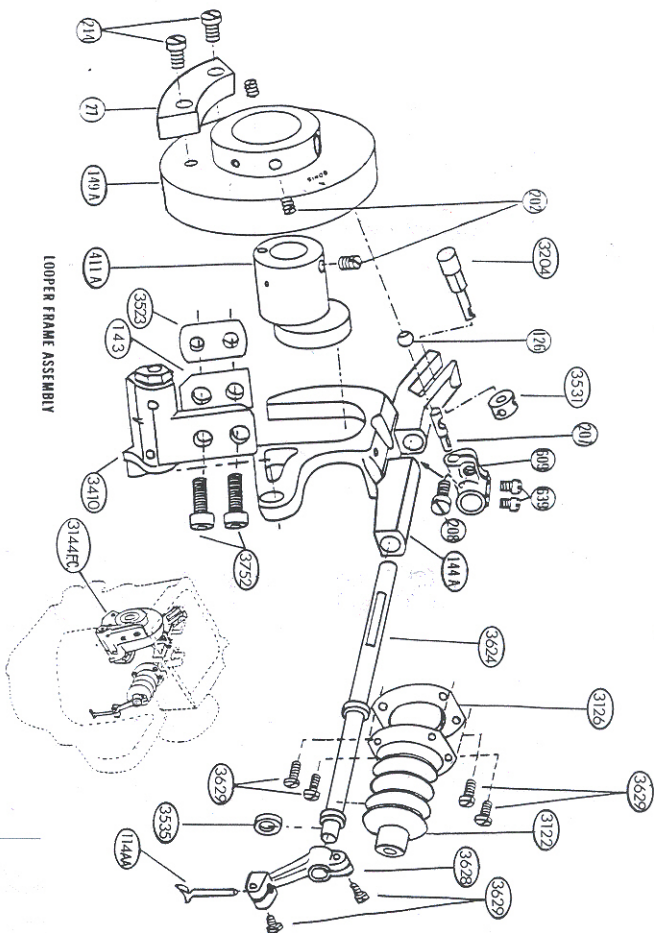


Fig. 3

LOOPER FRAME ASSEMBLY

Fig. 3

PART NO. DESCRIPTION

27	BALANCE WEIGHT
114-AA	LOOPER
126	LOOPER CAM ROLLER
143	ROCKER PACKING (Specify Thickness: .004, .006, .010, .020)
144-A	LOOPER FRAME
149-A	OSCILLATING CAM
202	ECCENTRIC SET SCREW, 4 REQ'D
207	LOOPER CAM ROLLER STUD
208	LOOPER CAM ROLLER STUD SET SCREW
214	BALANCE WEIGHT SCREW, 2 REQ'D
411-A	LOOPER FRAME ECCENTRIC
412	FRONT ROCKER NUT
609	LOOPER OSCILLATING ARM
639	LOOPER OSCILLATING ARM PINCH SCREW, 2 REQ'D
3122	BELLOW
3126	BELLOW PLATE
3144	LOOPER FRAME ASSEMBLY
3204	FULCRUM PIN
3410	FRONT ROCKER, COMPLETE
3523	ROCKER PLATE
3531	FULCRUM PIN COLLAR
3535	BELLOW THRUST WASHER
3624	LOOPER SHAFT
3628	LOOPER HOLDER
3629	LOOPER SET SCREW
3752	ROCKER SCREW

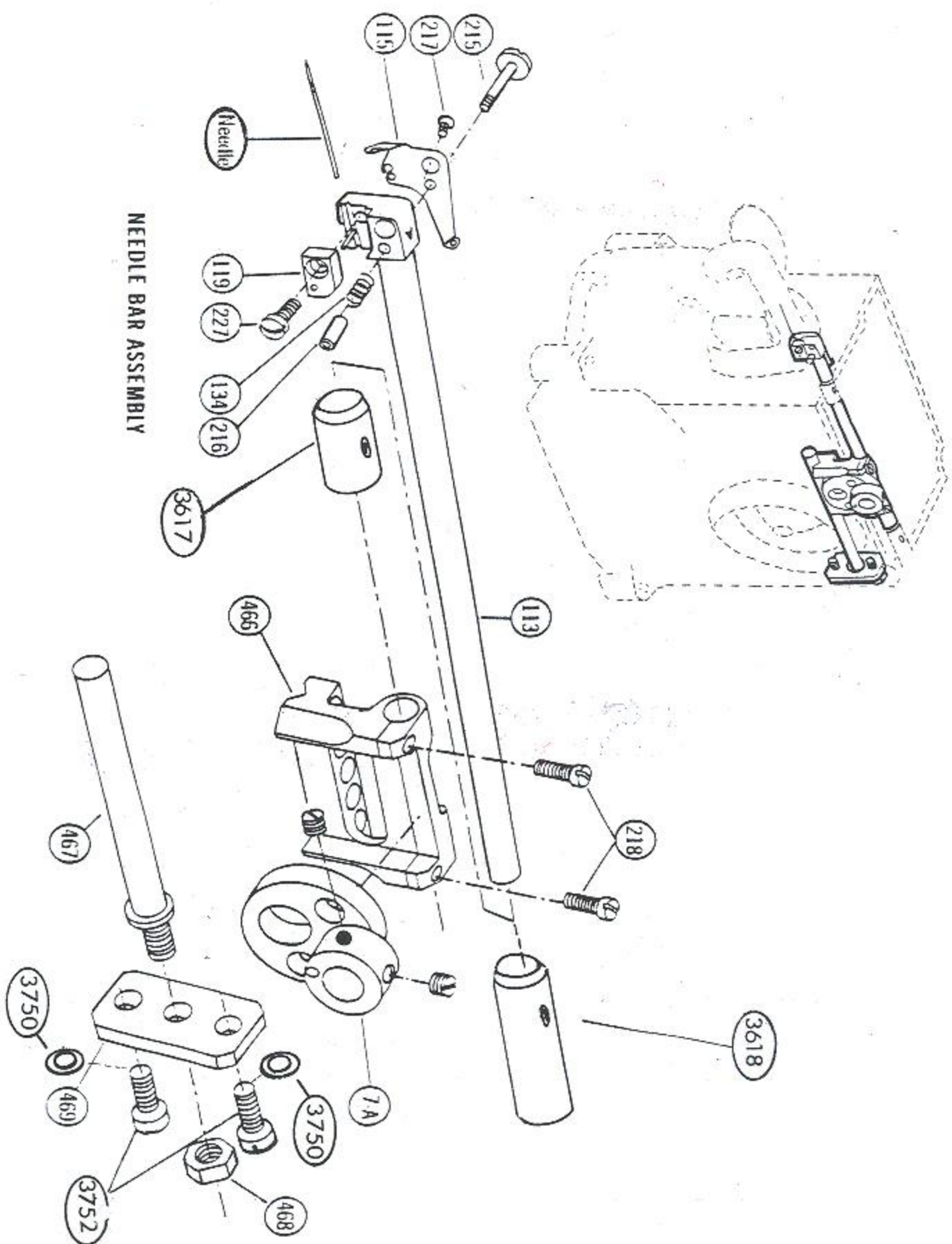


Fig. 4

NEEDLE BAR ASSEMBLY

Fig. 4

PART NO. DESCRIPTION

7-A	NEEDLE BAR YOKE ECCENTRIC
113	NEEDLE BAR (A-M-R) ORDER BY MODEL NUMBER
115	NEEDLE BAR TENSION PLATE
119	NEEDLE CLAMP
134	NEEDLE BAR TENSION SPRING
202	YOKE ECCENTRIC SET SCREW
215	NEEDLE BAR TENSION PLUNGER
216	NEEDLE BAR PLUNGER NUT
217	NEEDLE BAR TENSION PLATE SCREW
218	NEEDLE BAR YOKE PINCH SCREW, 2 REQ'D
227	NEEDLE CLAMP SCREW
466	NEEDLE BAR YOKE
467	NEEDLE BAR YOKE SUPPORT SHAFT
468	NEEDLE BAR YOKE SUPPORT SHAFT NUT
469	NEEDLE BAR YOKE ADJUSTABLE BRACKET
3617	NEEDLE BAR BUSHING, FRONT
3618	NEEDLE BAR BUSHING, REAR
3750	BACK SHAFT SCREW WASHER
3752	ROCKER SCREW

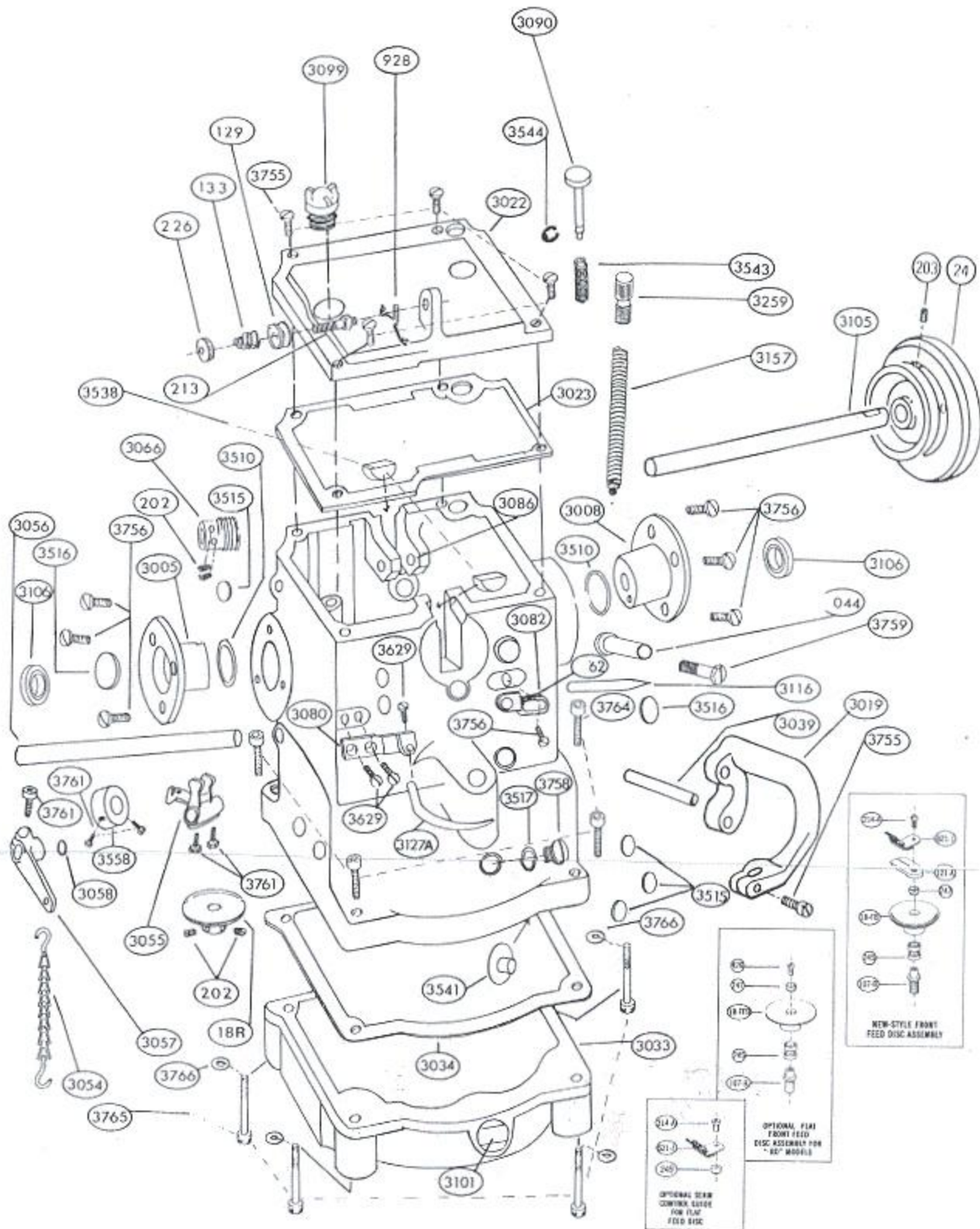


Fig. 5

MAIN FRAME ASSEMBLY

Fig. 5

PART NO.	DESCRIPTION
24	BELT WHEEL
18FB/18R	FEED WHEELS, SOLD ONLY AS FITTED COMPLETE UNIT
107-B	FEED DISC STUD FOR BEARING WHEELS
121-A	NEEDLE PLATE
129	TENSION DISC, 2 REQ'D
133	TOP COVER TENSION SPRING
202	SET SCREW, 4 REQ'D
203	BELT WHEEL SCREW, 2 PCS. REQ'D
213	TENSION POST
214-A	NEEDLE GUARD SCREW
226	TENSION NUT
245	SHIELDED BALL BEARINGS, 2 REQ'D
247	SPACER FOR BALL BEARING WHEELS
249	THICK SPACER FOR BALL BEARING WHEELS
426	FEED GEAR PLATE SCREW
621-F	ADJUSTABLE SEAM CONTROL GUIDE FOR FLAT WHEEL
621-J	ADJUSTABLE SEAM CONTROL GUIDE
928	TOP COVER THREAD GUIDE
3005	MAIN SHAFT BUSHING LEFT SIDE
3008	MAIN SHAFT BUSHING RIGHT SIDE
3019	FEED DISC ARM
3022	TOP COVER
3023	TOP COVER GASKET
3033	OIL PAN
3034	OIL PAN GASKET
3039	ARM PIN
3044	STABILIZING ARM PIN
3054	PRESSURE LEVER CHAIN
3055	PRESSURE RELEASE CRANK
3056	PRESSURE LEVER SHAFT
3057	PRESSURE RELEASE LEVER
3058	PRESSURE LEVER O-RING
3066	OIL PUMP WORM GEAR
3080	GUIDE HOLDER
3082	TENSION POST HOLDER
3086	FULCRUM PIN BUSHING

3090 PUSH BUTTON
3099 OIL SIGHT GLASS
3101 OIL LEVER WINDOW
3105 MAIN SHAFT
3106 1/2 INCH OIL MAIN SHAFT SEAL
3127-A WORK GUIDE
3157 PRESSURE SPRING
3259 PRESSURE ARM ADJUSTMENT SCREW
3510 MAIN SHAFT O-RING
3515 OIL SEAL CAP, SMALL, 4 REQ'D
3516 OIL SEAL CAP, LARGE, 2 REQ'D
3517 OIL SEAL WASHER, LARGE
3538 RUBBER SEAL, 2 REQ'D
3541 FEED LEVER GUIDE
3543 PUSH BUTTON SPRING
3544 PUSH BUTTON RETAINING RING
3558 PRESSURE COLLAR
3629 SET SCREW, 2 REQ'D
3755 TOP COVER SCREW, 4 REQ'D
3756 MAIN SHAFT BUSHING SCREW, 6 REQ'D
3758 DRAIN CAP, 2 REQ'D
3759 STABILIZING ARM PIN SCREW
3761 PRESSURE CRANK, PRESSURE COLLAR SCREW, 4 REQ'D
3762 SET SCREW FOR (3116)
3764 MACHINE HEAD SCREW, 4 REQ'D
3765 OIL PAN TABLE SCREW, 4 REQ'D
3766 OIL PAN TABLE WASHER, 4 REQ'D