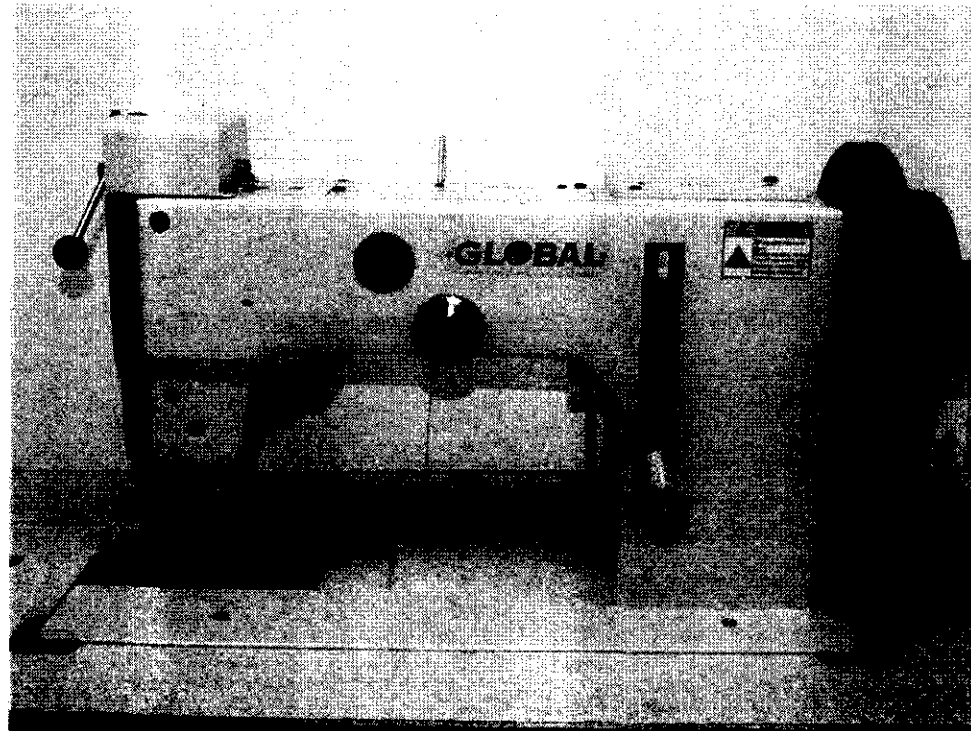
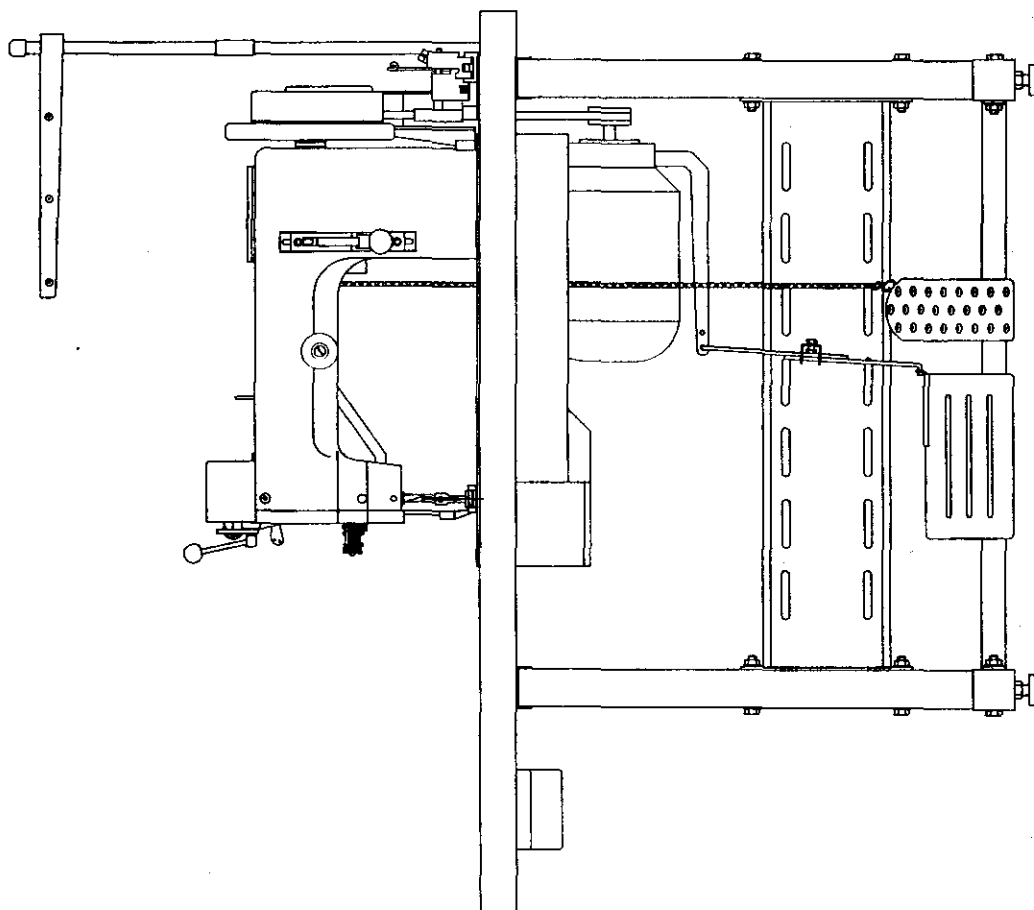


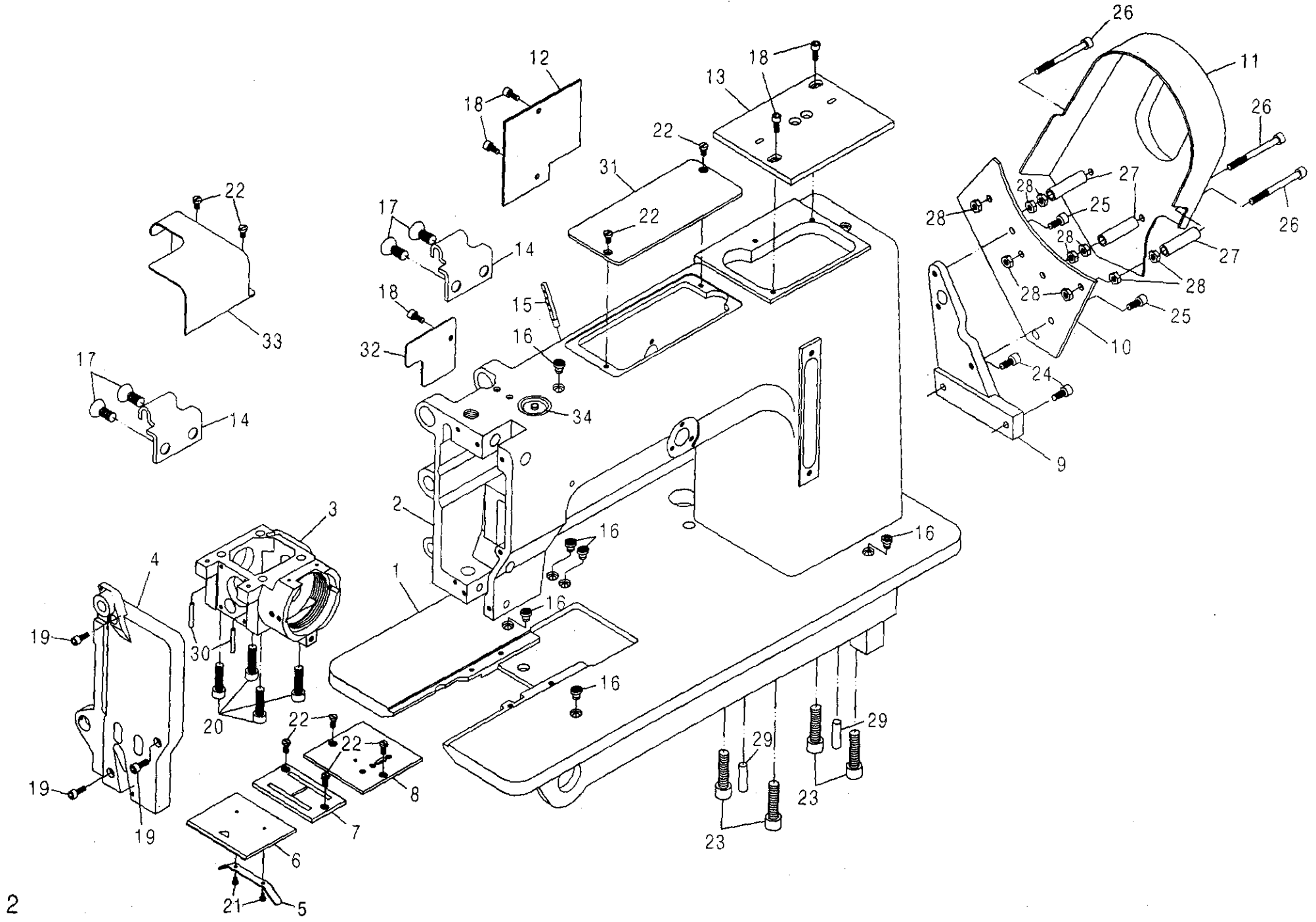
GLOBAL

ZZ 1267

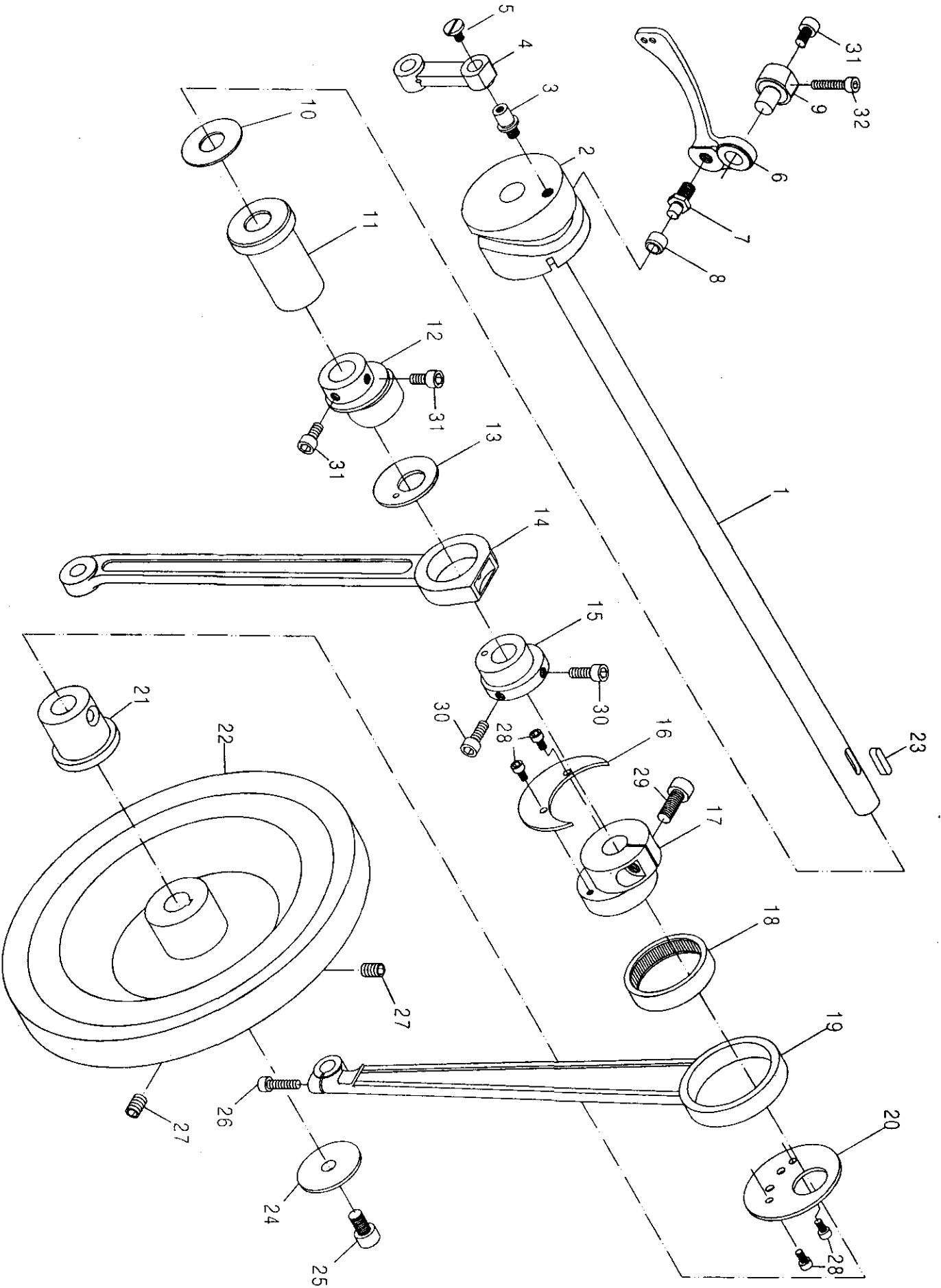
Extra heavy duty, drop feed zig-zag sewing machine with top feed



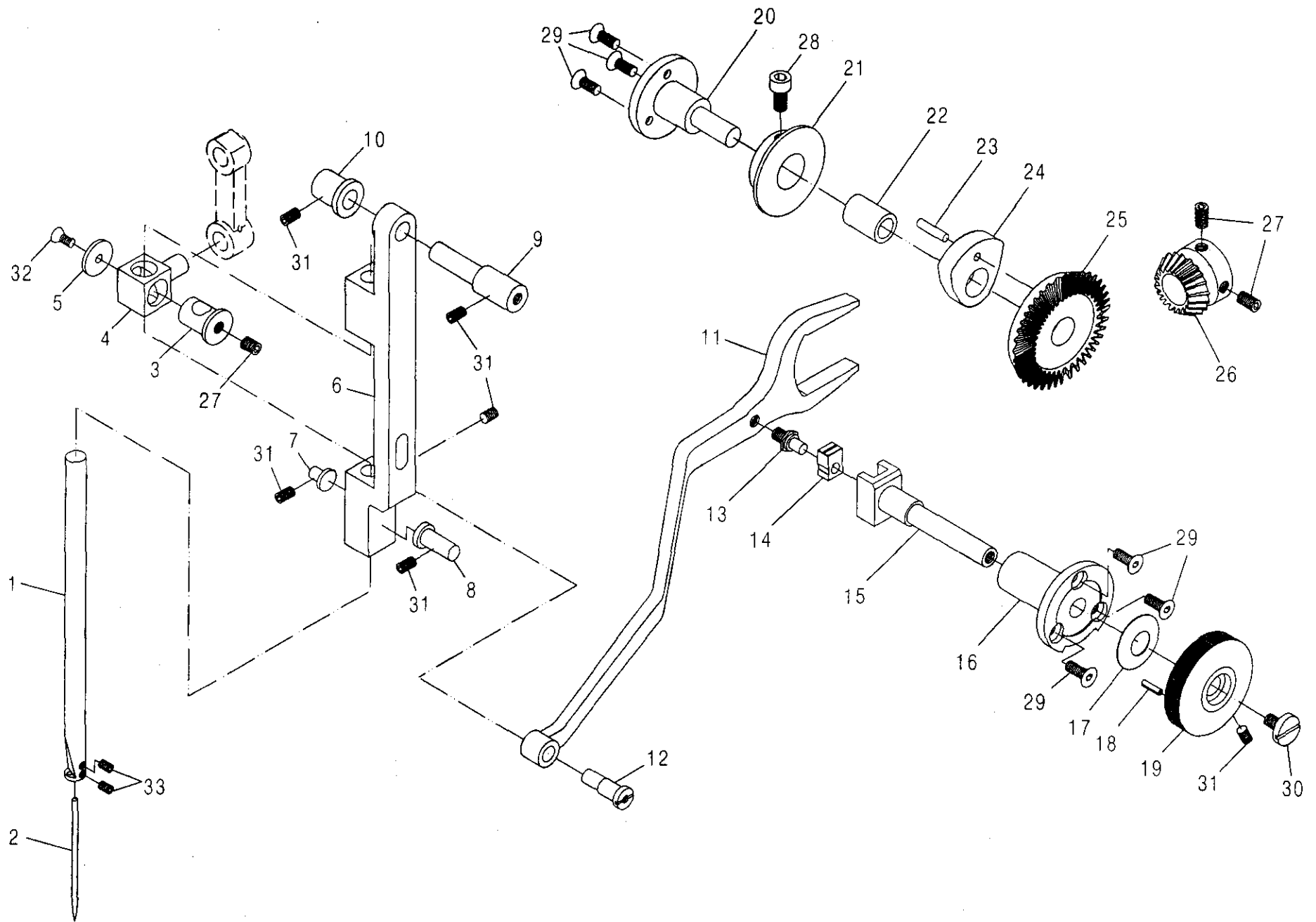




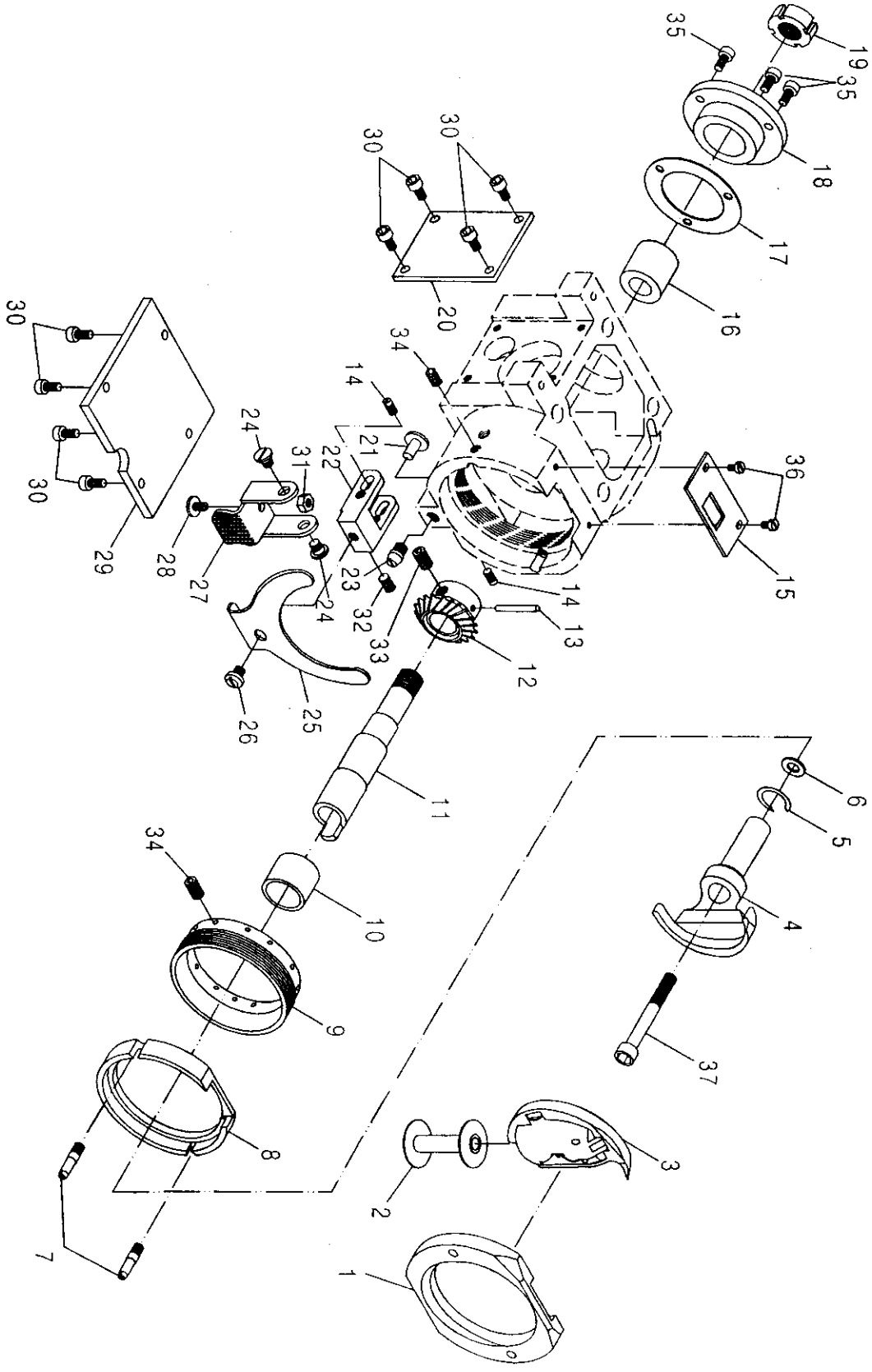
		Description	
1	F0101	bottom plate	1
2	SF0102	head case	1
3	F0103	base of shuttle bed	1
4	SF0104	face plate	1
5	GW100	push pedal spring	1
6	GK205	sliding plate (left)	1
7	SF0107	needle plate	1
8	GK206	connection board	1
9	M0110	angle stand	1
10	M0111	belt hood support	1
11	M0112	belt hood	1
12	SF0112	back cover	1
13	GK201	upper cover plate	1
14	GXR222	hinge 2	2
15	GX101	threading screw	1
16	GK209A	small oil seal	7
17	GS17520	screw	4
18	GS13312	screw	5
19	GS13316	screw	3
20	GS13530	screw	4
21	GS12104	screw	2
22	GS172	screw	8
23	GS13635	screw	4
24	GS13420	screw	2
25	GS13416	screw	2
26	GS13480	screw	3
27	GO100	belt hood screw saddle	3
28	GL204	nut	9
29	GS105	pin	2
30	M0131	pin	2
31	SF0131	upper cover plate	1
32	SF0132	side plate (front)	1
33	SF0133	hood	1
34	GK208	big oil seal	1



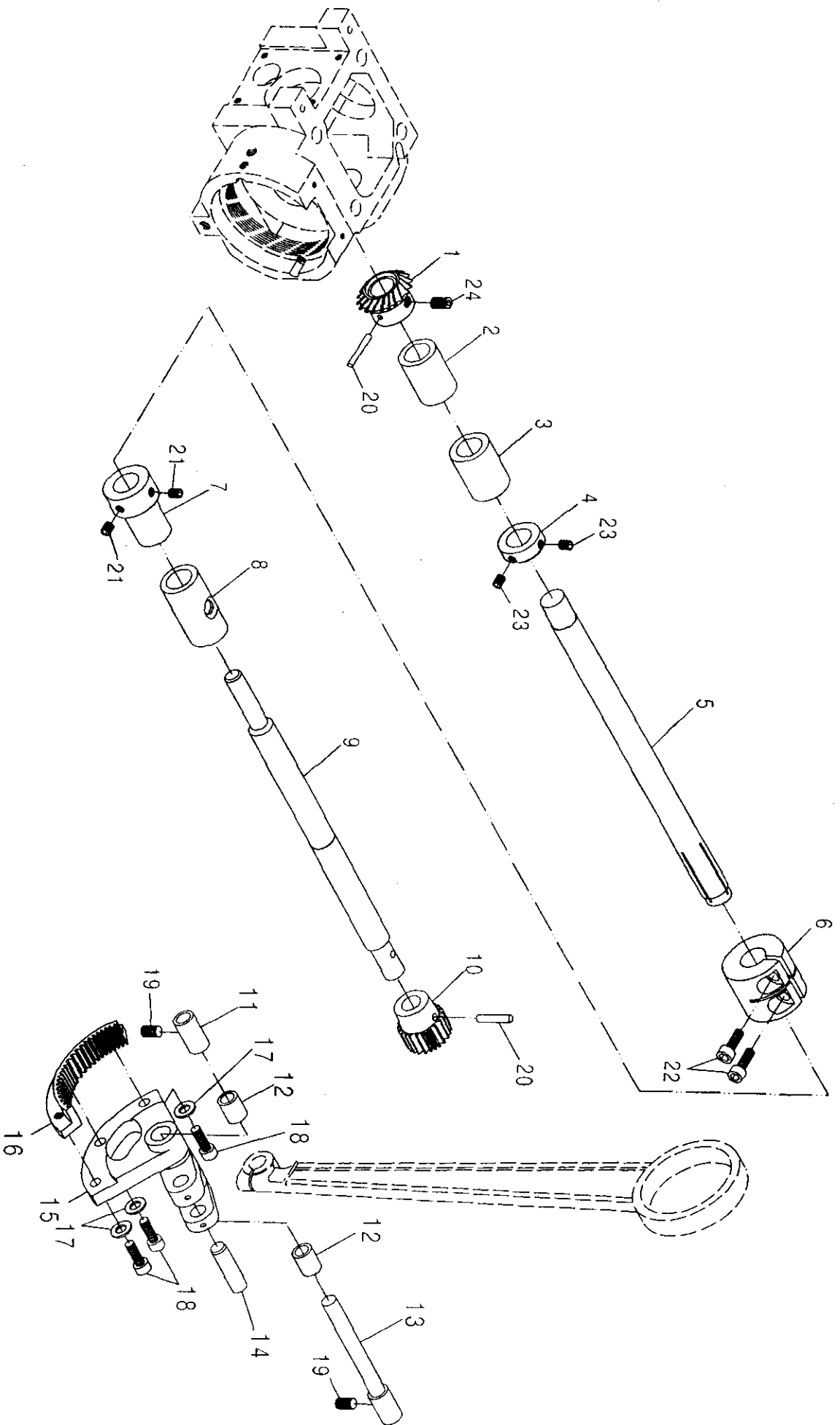
		Description	
1	GZ107	upper shaft	1
2	F0202	thread take-up cam	1
3	F0203	screw	1
4	M0217	needle bar connecting rod	1
5	F0205	screw	1
6	M0212	thread take-up lever	1
7	GZ105	roller shaft	1
8	GU100	thread take-up roller	1
9	M0213	thread take-up shaft	1
10	GS215	washer	1
11	F0211	upper shaft (front)	1
12	M0218	cam	1
13	M0220	slide plate	1
14	M0221	feed dog lift connecting rod	1
15	M0222	feed dog lift eccentric	1
16	GK237	slide plate (B)	1
17	GO129	eccentric sleeve	1
18	HK4512	needle roller bearing	1
19	M0229	connecting rod	1
20	GK236	slide plate (A)	1
21	GO107	upper shaft (back)	1
22	M0207	pulley	1
23	GK216	upper shaft key	1
24	GK217	washer	1
25	GS13525	screw	1
26	GS13316	screw	1
27	GS11516	screw	2
28	GS13206	screw	4
29	GS13525	screw	1
30	GS13420	screw	2
31	GS13410	screw	3
32	GS13440	screw	1



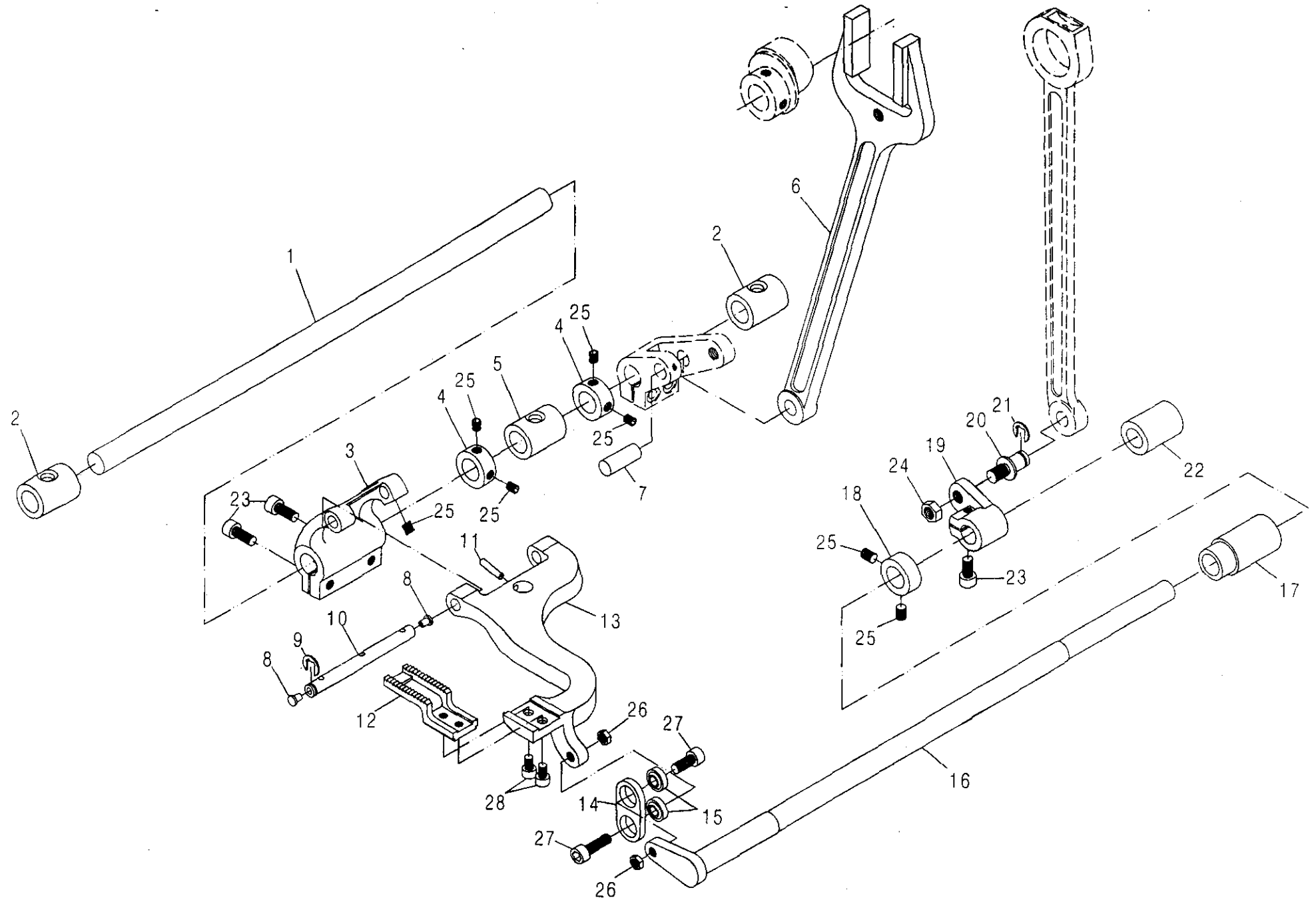
		Description	
1	F0301	needle bar	1
2	DY x 3	needle	1
3	F0305	rotating bar link	1
4	F0304	needle bar connecting shaft	1
5	F0307	washer	1
6	F0309	pendulum stand	1
7	F0314	pin(left)	1
8	F0313	pin(right)	1
9	F0310	shaft of pendulum stand	1
10	F0311	bushing	1
11	104A07	fork	1
12	F0316	pin(1)	1
13	GZ136	pin	1
14	GU111	copper slider	1
15	104A09	block pin	1
16	104A10	block pin set	1
17	GR254	spring slice	1
18	M0330	split pin	1
19	104A11	button	1
20	104A05	shaft	1
21	104A06	split stop ring	1
22	104A04	bushing	1
23	104A23	pin	1
24	104A03	cam	1
25	104A02	gear	1
26	104A01	gear	1
27	GS11410	screw	3
28	GS13416	screw	1
29	GS16212	screw	6
30	GS153	screw	1
31	GS11305	screw	6
32	GS16208	screw	1
33	GS11205	screw	2



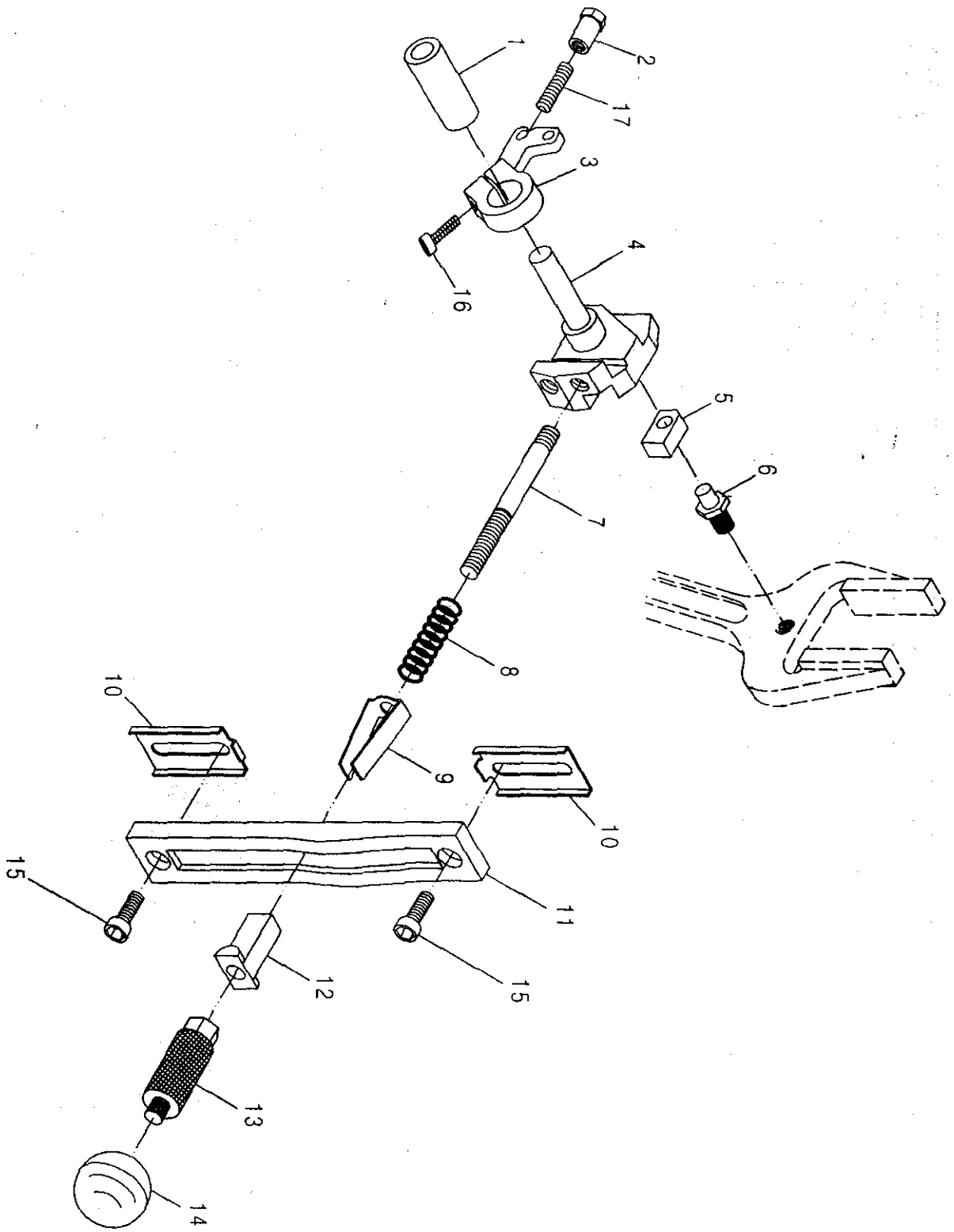
		Description	
1	F0401	-----	bobbin bed cover ----- 1
2	GN116	-----	bobbin ----- 1
3	GN111/9	-----	shuttle hook ----- 1
4	M0405	-----	shuttle support ----- 1
5	M0406	-----	washer ----- 3 0.2, 0.3, 0.5
6	M0407	-----	washer ----- 1
7	M0408	-----	screw ----- 2
8	F0408	-----	bobbin bed ----- 1
9	M0410	-----	shuttle set ----- 1
10	M0412	-----	front shaft bushing ----- 1
11	M0413	-----	shaft ----- 1
12	M0414	-----	right helix bevel gear ----- 1
13	M0415	-----	pin ----- 1
14	GX110	-----	screw ----- 2
15	F0415	-----	needle protecting board ----- 1
16	M0419	-----	back shaft bushing ----- 1
17	M0420	-----	washer ----- 1
18	M0421	-----	bushing ----- 1
19	M0423	-----	nut ----- 1
20	M0424	-----	side plate ----- 1
21	GX108	-----	pin ----- 1
22	GK241	-----	bobbin bed press stand ----- 1
23	GX109	-----	screw ----- 1
24	GX112	-----	screw ----- 2
25	GW111	-----	pressing spring ----- 1
26	GX117	-----	screw ----- 1
27	GK243	-----	press stand spanner ----- 1
28	GX113	-----	screw ----- 1
29	M0437	-----	cover ----- 1
30	GS13210	-----	screw ----- 8
31	GL203	-----	nut ----- 1
32	GS102	-----	screw ----- 1
33	GS11406	-----	screw ----- 1
34	GS11306	-----	screw ----- 2
35	GS13216	-----	screw ----- 3
36	GS12104	-----	screw ----- 2
37	GS13460	-----	screw ----- 1



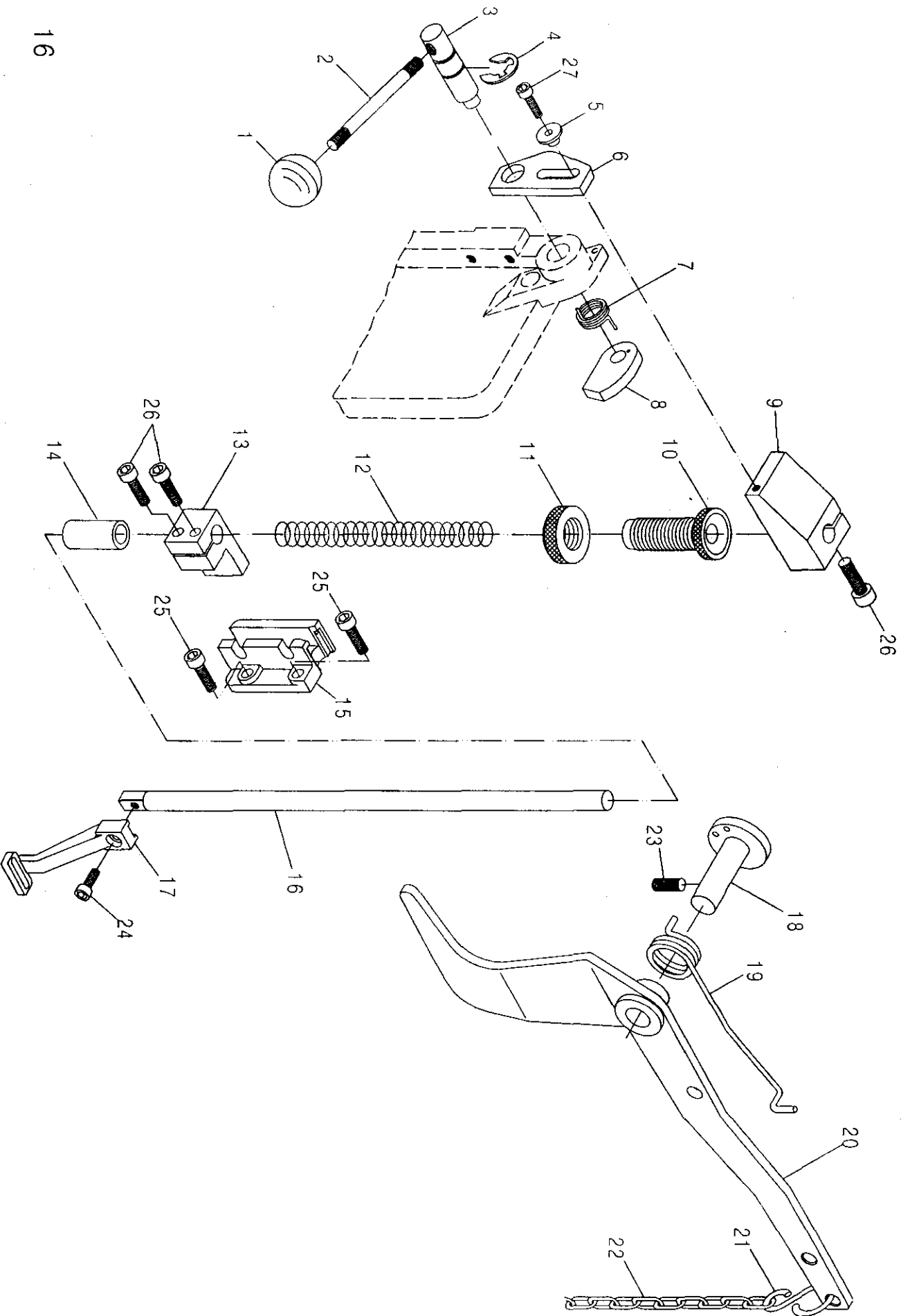
		Description	
1	M0501	-----	left helix bevel gear ----- 1
2	M0504	-----	front shaft bushing ----- 1
3	M0505	-----	back shaft bushing ----- 1
4	M0506	-----	blocking ring of lower shaft ----- 1
5	M0508	-----	lower shaft) ----- 1
6	M0509	-----	tight ring of lower shaft ----- 1
7	M0512	-----	blocking ring of lower shaft ----- 1
8	M0513	-----	back shaft bushing ----- 1
9	GZ112	-----	lower shaft (1) ----- 1
10	GP107	-----	small gear of lower shaft ----- 1
11	GO130	-----	bushing ----- 1
12	GO132	-----	bushing ----- 2
13	M0522	-----	swinging shaft ----- 1
14	GZ128	-----	shaft ----- 1
15	M0524	-----	pendulum axle stand ----- 1
16	GP106	-----	gear ----- 1
17	M0519	-----	washer ----- 3
18	GS13318	-----	screw ----- 3
19	GS10414	-----	screw ----- 2
20	M0415	-----	pin ----- 2
21	GS11406	-----	screw ----- 2
22	GS13416	-----	screw ----- 2
23	GS11306	-----	screw ----- 2
24	GS11406	-----	screw ----- 1



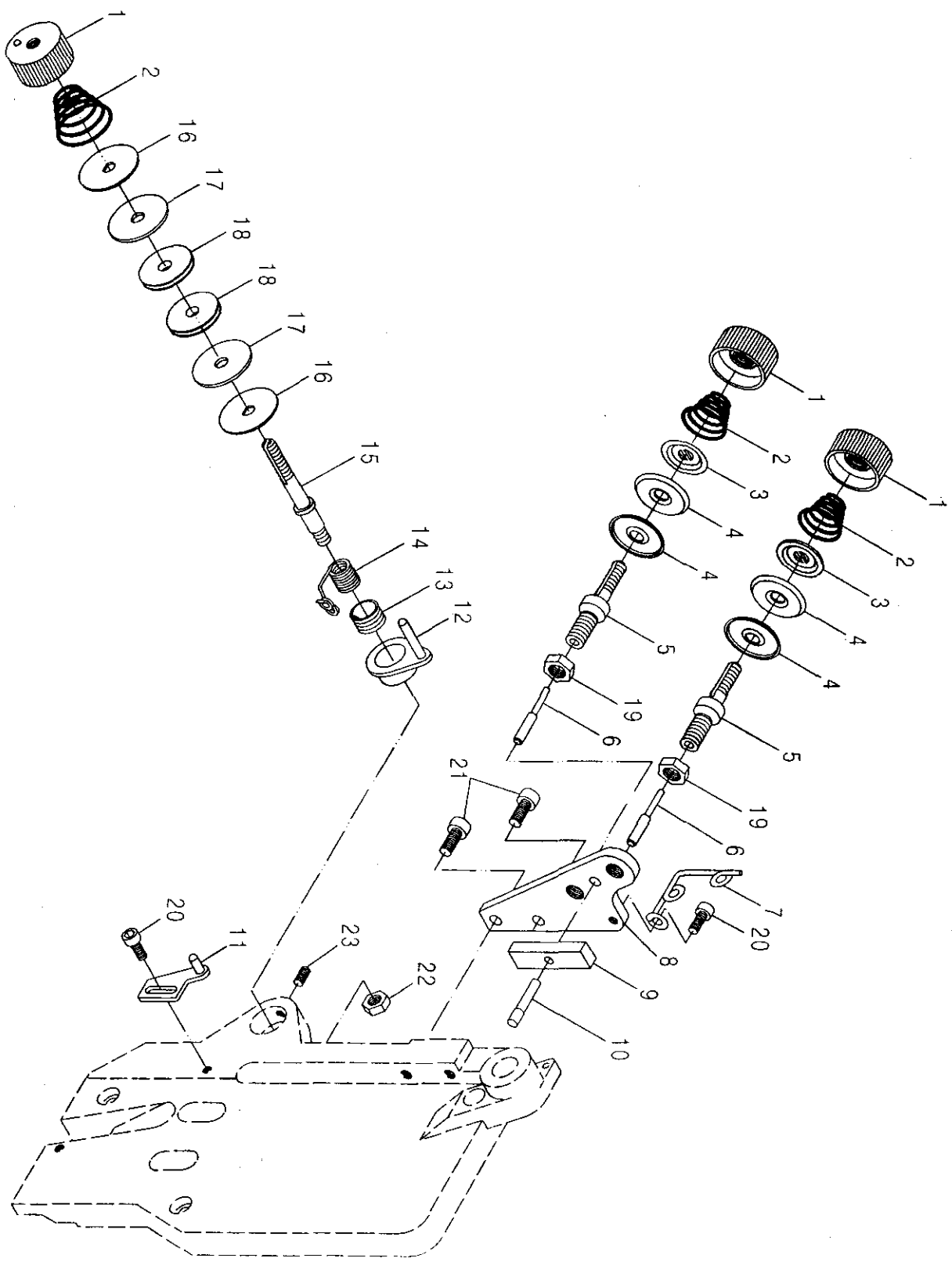
		Description	
1	M0601	bottom feeding shaft	1
2	M0602	back bushing of feeding shaft	2
3	M0604	front feeding crank	1
4	M0605	blocking ring of feeding axle	2
5	M0607	front bushing of feeding shaft	1
6	GH125	teeth fork	1
7	GZ128	pin shaft	1
8	M0614	small oil seal	2
9	M0615	E-shaped snap spring	1
10	M0616	shaft of tooth-shelf	1
11	M0617	oil pipe joint	1
12	SF0612	feed dog	1
13	M0621	shelf	1
14	M0624	connection board	1
15	M0623	bearing	2
16	M0627	tooth-lifting axle	1
17	M0626	front shaft bushing	1
18	M0605	lifting tooth axle retaining ring	1
19	M0628	crank	1
20	M0631	pin shaft	1
21	M0632	E-shaped snap spring	1
22	M0625	back shaft bushing	1
23	GS13416	screw	3
24	M0630	nut	1
25	GS11406	screw	7
26	M0620	nut	2
27	GS13420	screw	2
28	GS13308	screw	2



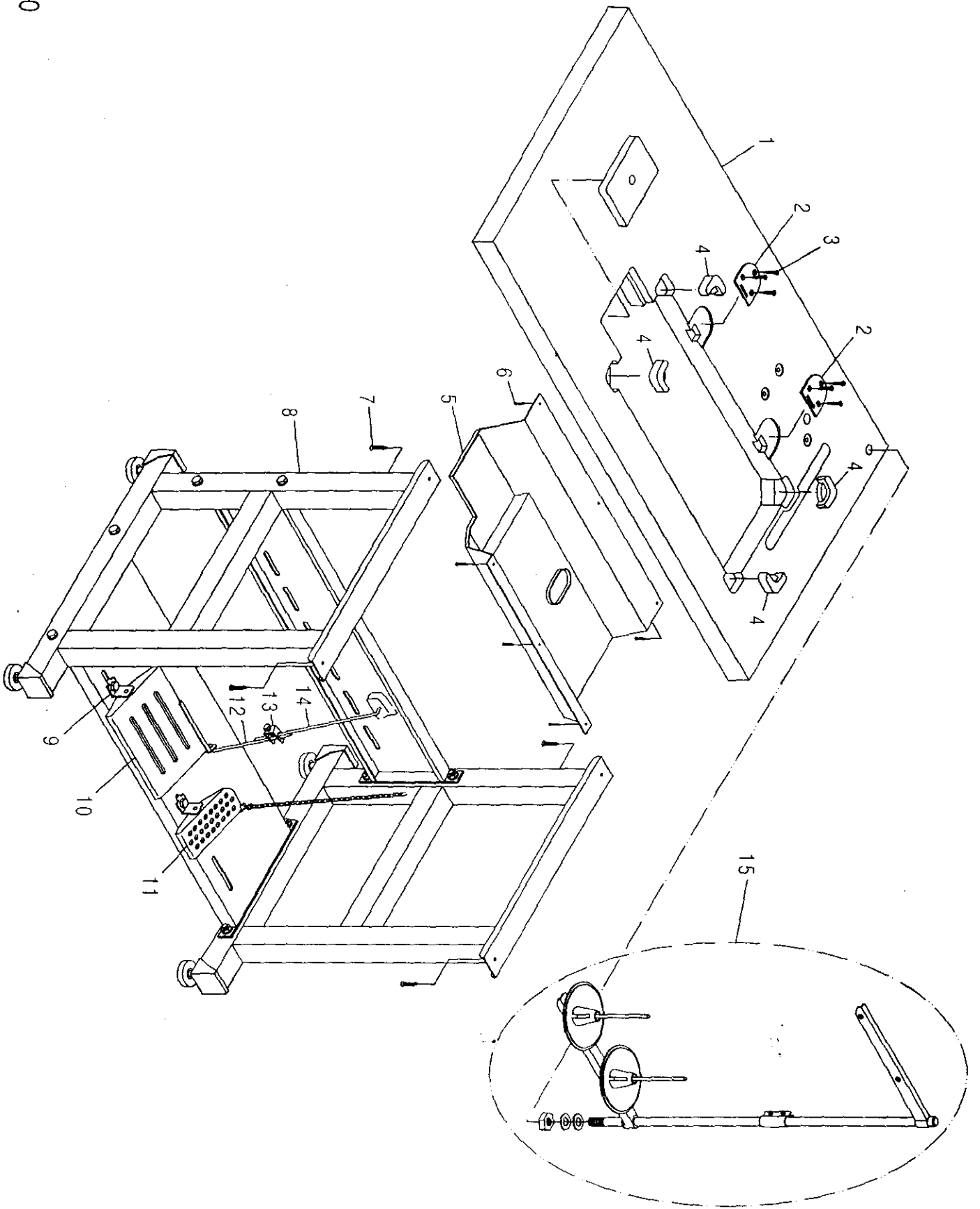
		Description	
1	G0120	— — —	shaft bushing — — — — — 1
2	GL204	— — —	nut — — — — — 1
3	GK249	— — — —	stitch seat fixed stand — — — — — 1
4	GK246	— — — —	stitch support — — — — — 1
5	GK245	— — — —	sliding block — — — — — 1
6	GZ129	— — — —	screw — — — — — 1
7	GZ130	— — — —	screw — — — — — 1
8	GW210	— — — —	spring — — — — — 1
9	GW209	— — — —	stitch screw sleeve levf — — — — — 1
10	GK248	— — — —	stitch spacing board — — — — — 2
11	GKS105	— — — —	stitch cover plate — — — — — 1
12	GZ131	— — — —	stitch spacing sleeve — — — — — 1
13	GZ132	— — — —	stitch regulation screw sleeve — — — — — 1
14	GKS247	— — — —	stitch handle ball — — — — — 1
15	GS13416	— — — —	screw — — — — — 2
16	GS13320	— — — —	screw — — — — — 1
17	GS11425	— — — —	screw — — — — — 1



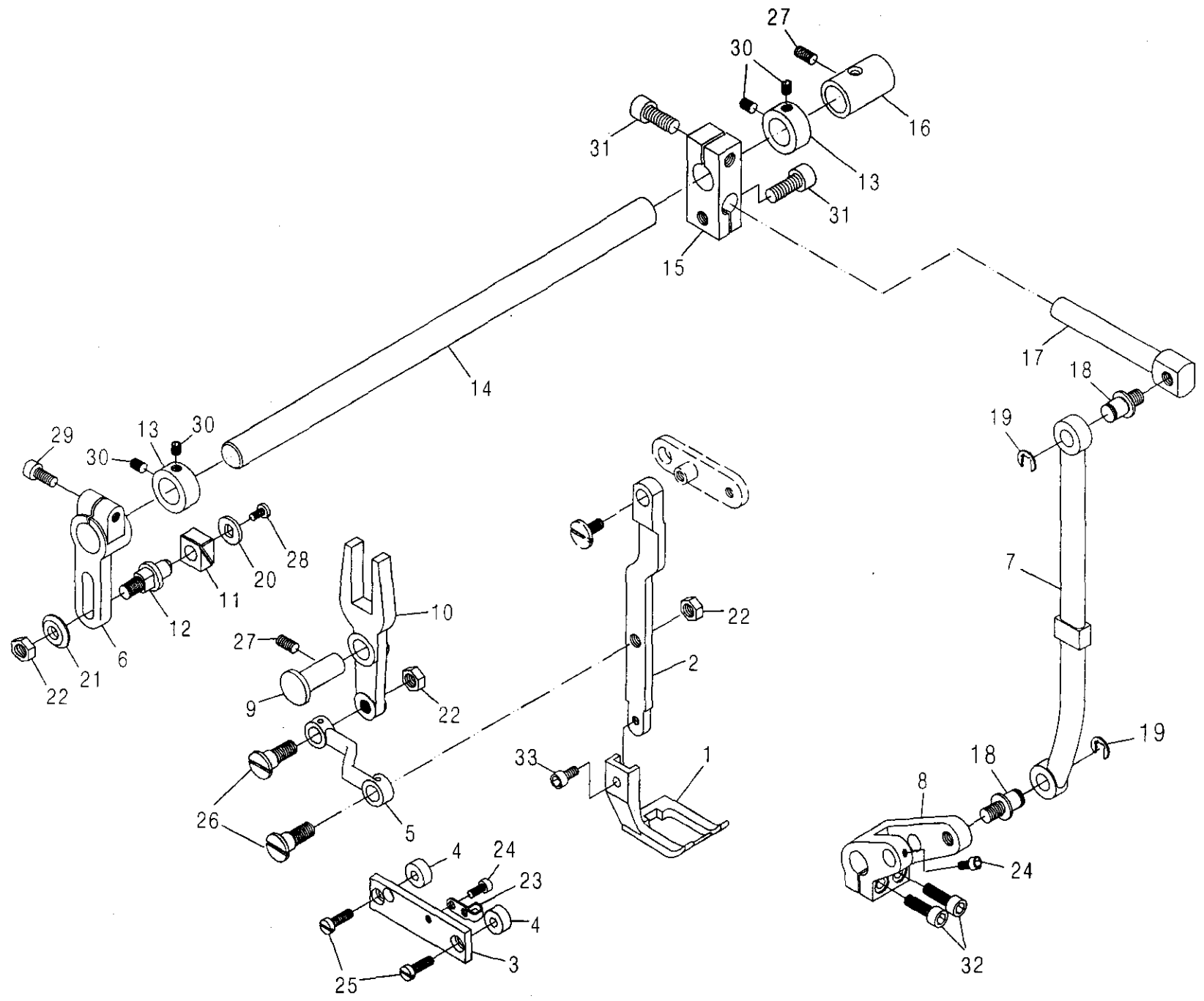
		Description	
1	GZS139	----- uplifting presser handle ball -----	1
2	GZ138	----- uplifting handle bar -----	1
3	M0805	----- shaft -----	1
4	GW211	----- uplifting handle axle jump ring -----	1
5	M0804	----- thread loosening sleeve -----	1
6	F0822	----- thread releasing plate (2) -----	1
7	GW217	----- uplifting presser spring -----	1
8	M0802	----- eccentric slice -----	1
9	M0312	----- block -----	1
10	GZ125	----- pressure regulated screw -----	1
11	M0314	----- nut -----	1
12	GW201	----- presser bar spring -----	1
13	M0310	----- setting block of pressing rod -----	1
14	M0307	----- pressing rod lower bushing -----	1
15	GK226	----- presser lifting locating slideway -----	1
16	M0309	----- presser bar -----	1
17	SF0817	----- presser foot -----	1
18	SF0818	----- uplifting presser lever shaft -----	1
19	GW212	----- lever torsional spring -----	1
20	ST0820	----- uplifting presser lever -----	1
21	GD0911	----- lifting lever finger -----	1
22	GD0912	----- presser lifting bar -----	1
23	GS11410	----- screw -----	1
24	GS13210	----- screw -----	1
25	GS13325	----- screw -----	2
26	GS13420	----- screw -----	3
27	GS13216	----- screw -----	1



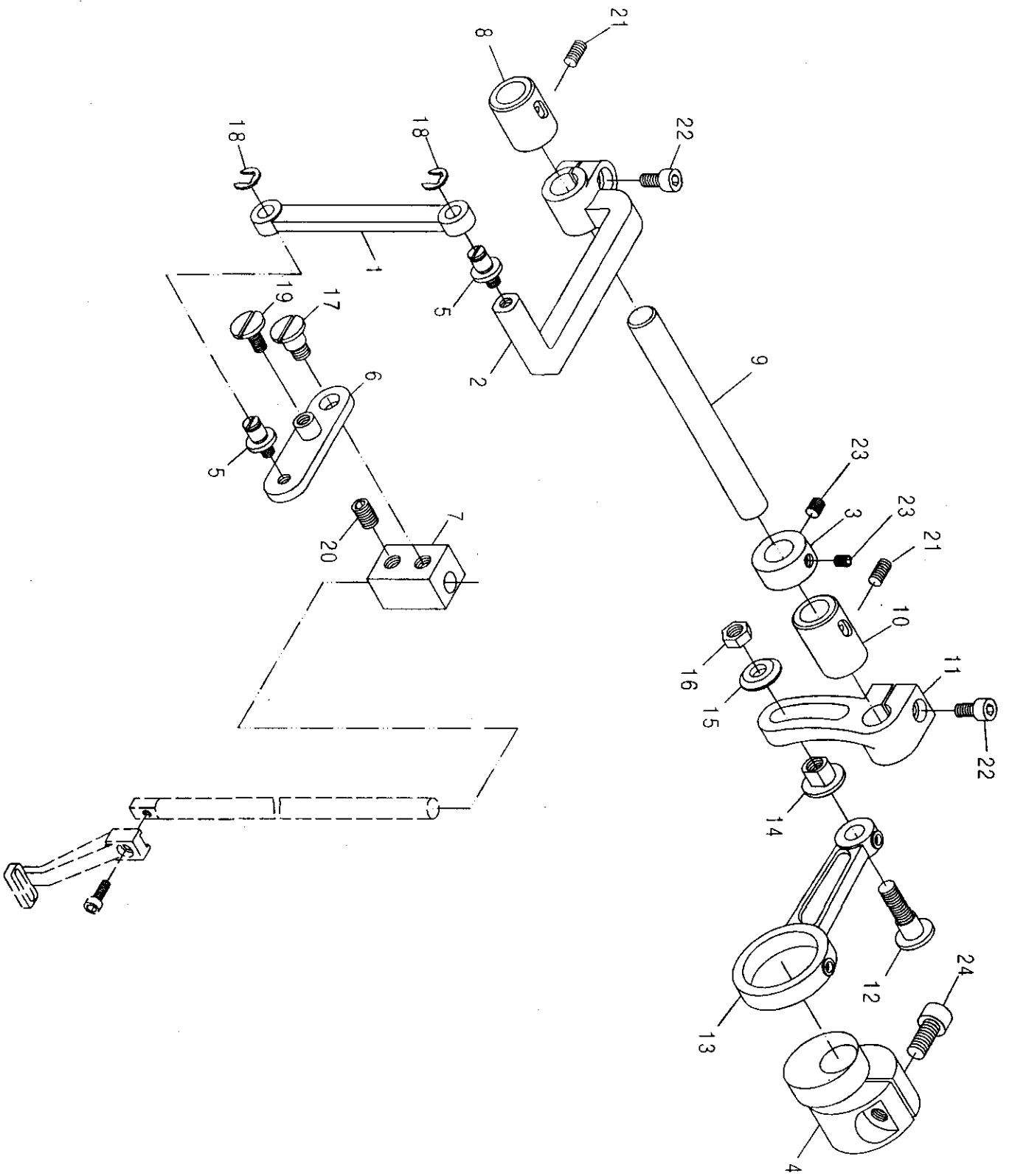
		Description	
1	GLS204	----- tension nut -----	3
2	GW115	----- thread tension spring-----	3
3	GK232	----- thread releasing plate -----	2
4	GK231	----- tension plate -----	4
5	GZ126	----- tension screw -----	2
6	GX106	----- loosen bolt -----	2
7	M0908	----- thread passing ring -----	1
8	M0910	----- thread tension rack -----	1
9	M0911	----- thread releasing plate -----	1
10	M0912	----- pin -----	1
11	GKS108	----- drawing stand-----	1
12	GKS107	----- thread passing seat-----	1
13	GC0814	----- thread take-up soring -----	1
14	M0922	----- thread take-up spring -----	1
15	M0925	----- tension screw -----	1
16	GK233	----- thread passing plate -----	2
17	GK234	----- washer-----	2
18	GP102	----- thread passing wheel-----	2
19	GL205	----- nut -----	2
20	GS13208	----- screw -----	1
21	GS13316	----- screw -----	2
22	M0913	----- nut -----	1
23	GS11206	----- screw -----	1



		Description	
1	GKR221	----- table -----	1
2	GKR200	----- hinge -----	2
3	GC1005	----- screw -----	6
4	GC1004	----- rubber cushion -----	4
5	GKR216	----- oil pan -----	1
6	GBS112	----- screw -----	6
7	GC1021	----- screw -----	4
8	M1010	----- stand -----	1
9	GKR184	----- footstep axle seat -----	4
10	GKR182	----- pedal -----	1
11	GKR111	----- pedal -----	1
12	GKR116	----- lower rod of clutch motor -----	1
13	GKR183	----- rod adjusting device -----	1
14	GKR118	----- upper rod of clutch motor -----	1
15	M1014	----- thread stand -----	1



		Description	
1	SF1201	— — — —	walking foot — — — — — — — — — — 1
2	SF1202	— — — —	walking foot rod — — — — — — — — — — 1
3	SF1203	— — — —	guide plate — — — — — — — — — — 1
4	SF1204	— — — —	cushion — — — — — — — — — — 2
5	SF1205	— — — —	link shaft — — — — — — — — — — 1
6	SF1206	— — — —	front crank — — — — — — — — — — 1
7	SF1207	— — — —	connecting rod — — — — — — — — — — 1
8	SF1208	— — — —	back feeding cronk — — — — — — — — — — 1
9	GX123	— — — —	pin — — — — — — — — — — 1
10	GH148	— — — —	fork-rod of swinging pressing foot — — 1
11	GU119	— — — —	crakn slide block — — — — — — — — — — 1
12	GU120	— — — —	screw of slide block of pressing foot — 1
13	GK254	— — — —	upper feeding axle retainer axle — — — — 2
14	GZ120	— — — —	upper feeding axle — — — — — — — — — — 1
15	GH152	— — — —	upper feeding back crank seat — — — — 1
16	GO124	— — — —	upper feeding axle back axle sleeve — — 1
17	GK254	— — — —	upper feeding adjustment bar — — — — 1
18	GZ133	— — — —	upper feeding connecting pin — — — — 2
19	GW205	— — — —	upper feeding connecting pin jump ring — 1
20	GU110	— — — —	washer — — — — — — — — — — 1
21	GR245	— — — —	washer — — — — — — — — — — 1
22	GL106	— — — —	nut — — — — — — — — — — 3
23	GC0819	— — — —	finger — — — — — — — — — — 1
24	GS13208	— — — —	screw — — — — — — — — — — 2
25	GS13318	— — — —	screw — — — — — — — — — — 2
26	GS180	— — — —	screw — — — — — — — — — — 2
27	GS11410	— — — —	screw — — — — — — — — — — 2
28	GS212	— — — —	screw — — — — — — — — — — 1
29	GS13416	— — — —	screw — — — — — — — — — — 1
30	GS11406	— — — —	screw — — — — — — — — — — 4
31	GS13520	— — — —	screw — — — — — — — — — — 2
32	GS13420	— — — —	screw — — — — — — — — — — 2
33	GS13312	— — — —	screw — — — — — — — — — — 1



		Description	
1	SF1301	----- large connecting rod -----	1
2	SF1302	----- pressing foot front crank -----	1
3	SF1303	----- blocking ring -----	1
4	SF1304	----- presser foot lift cam -----	1
5	SF1305	----- screw -----	2
6	SF1306	----- pressing foot lifting rocking board	1
7	SF1307	----- sliding block -----	1
8	GO127	----- pressing foot lifting shaft front sleeve	1
9	GZ122	----- pressing foot lift shaft	1
10	GO126	----- pressing foot lifting shaft back sleeve	1
11	GH146	----- pressing foot lifting adjusting back crank	1
12	GS150	----- screw -----	1
13	GD0606	----- large pressing foot lifting connecting rod	1
14	GL108	----- nut -----	1
15	GR245	----- washer -----	1
16	GL106	----- nut -----	1
17	GS181	----- screw -----	1
18	GW206	----- E-type -----	2
19	GS153	----- screw -----	1
20	GS10508	----- screw -----	1
21	GS11410	----- screw -----	2
22	GS13416	----- screw -----	2
23	GS11406	----- screw -----	2
24	GS13520	----- screw -----	1