

# **GLOBAL**

**BT 2900**

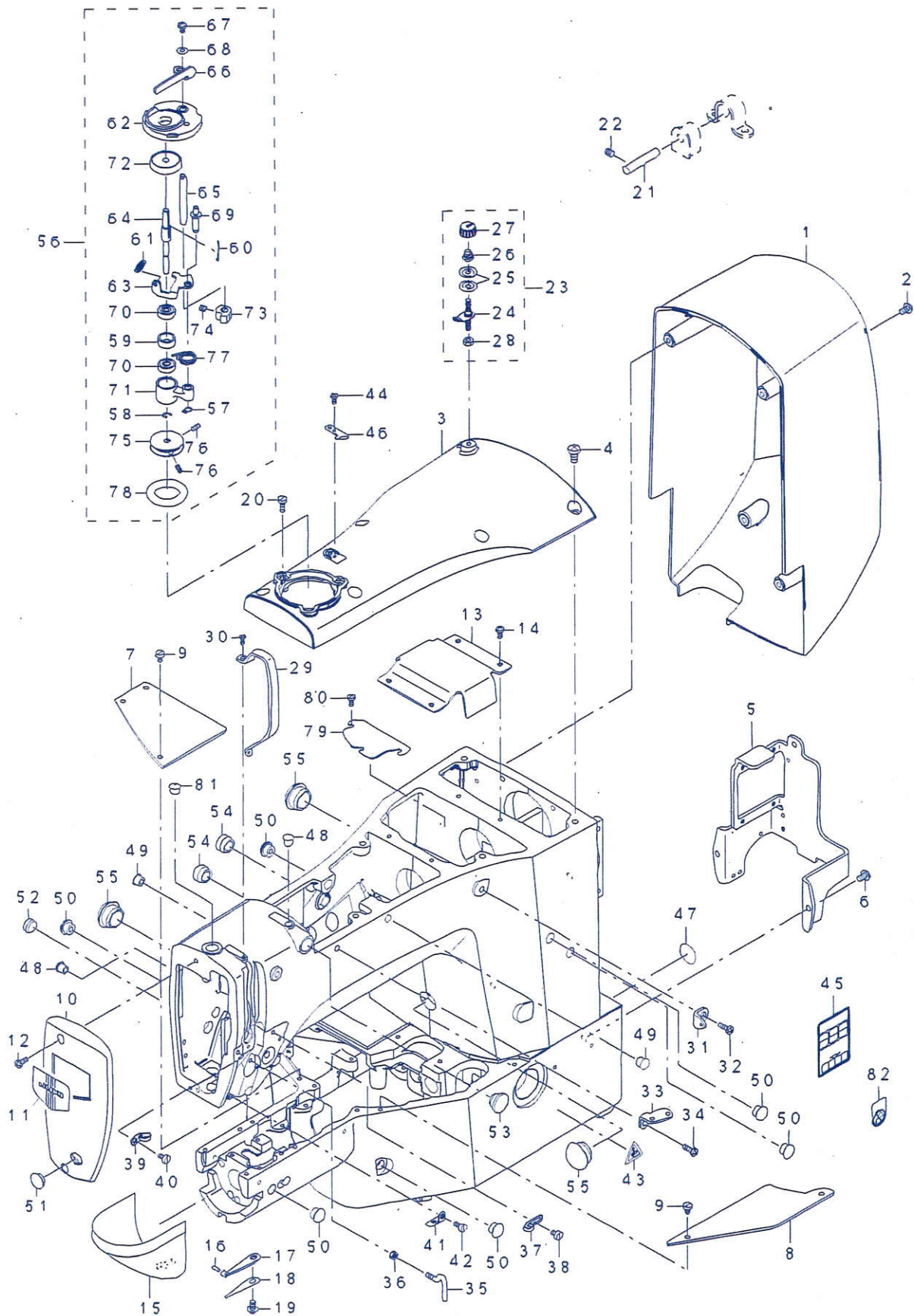
**BS 2903**

**Electronic bartacking machine  
Electronic lockstitch button sewer**

**PARTS MANUAL**

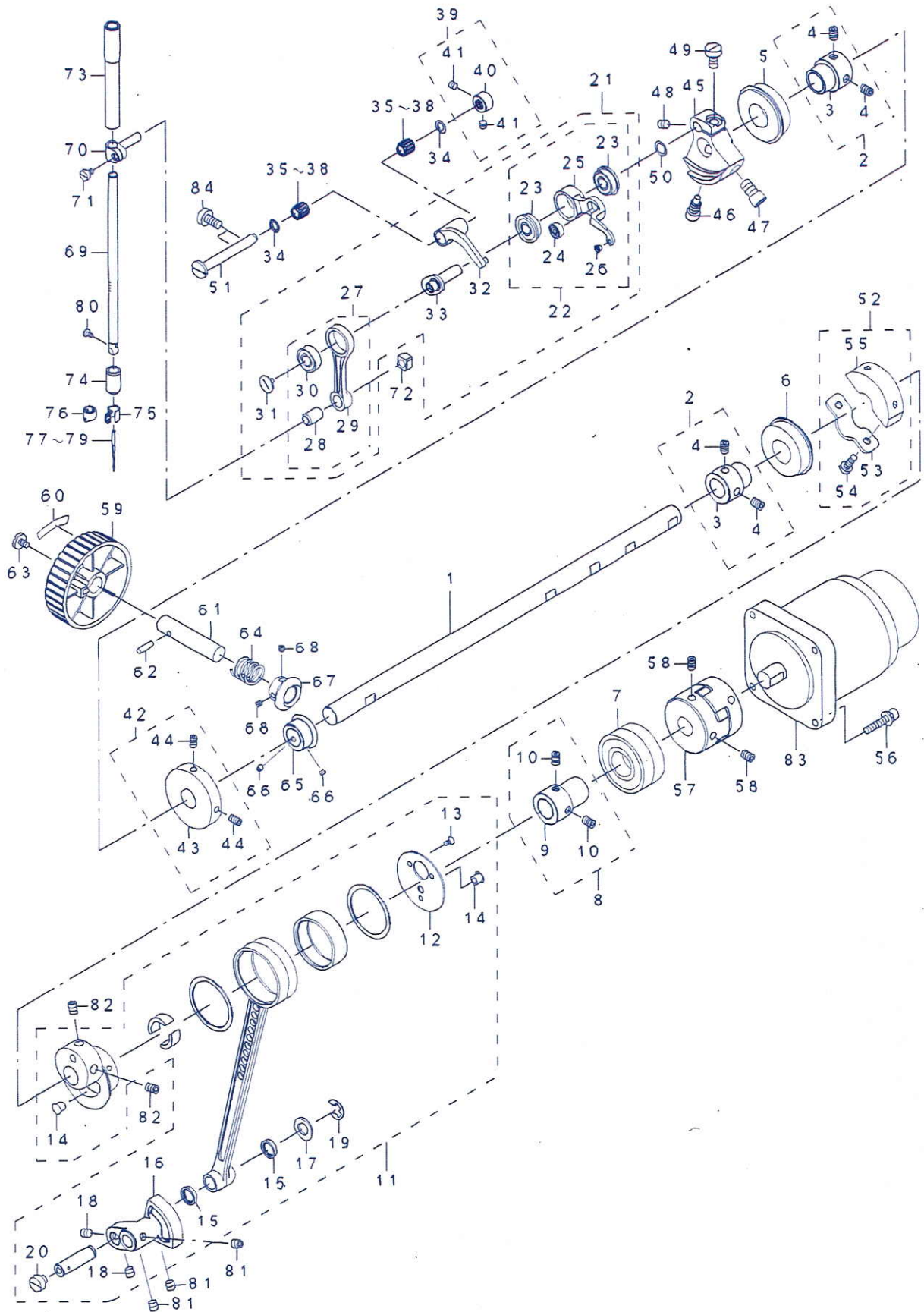
**[WWW.GLOBALSEW.COM](http://WWW.GLOBALSEW.COM)**

# 1. 外装机壳部件 FRAME & MISCELLANEOUS COVER COMPONENTS



1. 外装机壳部件					
NO	件号	名称	Number	Description	Qty
1	01-01-1900ASS	机头后盖	400-06475	MOTOR COVER	1
2		螺钉M4 L=8	SM-5040855-SN	SCREW	4
3	01-03-1900ASS	机头上盖	400-06478	UPSIDE COVER	1
4		螺钉M6 L=12	SM-4061255-SP	SCREW M6 L=12	6
5	01-05-1900ASS	印制板保护架	400-10404	PROTECTION PLATE	1
6		螺钉M4 L=8	SM-4050855-SP	SCREW	3
7	01-07-1900ASS	左侧盖	400-06487	BED COVER LEFT	1
8	01-08-1900ASS	右侧盖	400-06488	BED COVER RIGHT	1
9		螺钉M4 L=6	SM-6040650-TP	SCREW M4 L=6	5
10	01-10-1900ASS	面盖	400-06481	FACE COVER	1
11		商标	229-02506	FACE PLATE	1
12		螺钉M4 L=10	SM-4041055-SP	SCREW	2
13	01-13-1900ASS	曲柄杆盖	400-10405	CRANK ROD COVER	1
14		螺钉M4 L=8	SM-5040855-SN	SCREW	4
15	05-020-185	梭床罩	138-16855	CYLINDER ARM CAP	1
16	4-22-1900	圆柱销 B2×10	135-08700	HOOK COVER PRESSER SPRING PIN	1
17	05-021-185	弹簧板A	135-08809	HOOK COVER PRESSER SPRING A	1
18	05-022-185	弹簧板B	135-08908	HOOK COVER PRESSER SPRING B	1
19		螺钉M4 L=8	SM-5040855-SN	SCREW	1
20		螺钉M4 L=11	SM-6041150-TP	SCREW M4 L=11	3
21	1-16-1900	铰链销	B2707-761-000	HINGE STUD	2
22		螺钉M6 L=6	SM-8060612-TP	SCREW M6 L=6	4
23	1-74-1900	夹线控制器1号组件	141-13468	BOBBIN THREAD TENSION ASM.	1
24	11416-780	绕线器过线螺钉	141-13450	BOBBIN THREAD TENSION ROD ASM.	(1)
25	11415-780	夹线盘	B3126-012-000	THREAD TENSION DISK	(2)
26	11414-780	压线弹簧	D7133-555-B00	CONNECTING ROD SPRING	(1)
27	11413-780	夹线螺帽	110-72402	THREAD TENSION NUT	(1)
28	10211-780	螺帽 11/64-40	NS-6110310-SP	NUT 11/64-40	(1)
29	01-012-185	挑线杆护罩	138-16608	BALANCE COVER	1
30	01-009-210	螺钉 M3 L=8	SM-4030855-SN	SCREW M3 L=8.0	2
31	01-014-1900	导线板	400-10414	THREAD GUIDE NO. 1	1
32	01-011-210	螺钉M6 L=12	SM-4061255-SP	SCREW M6 L=12	1
33	11537-780	过线板	B1111-232-000	THREAD GUIDE PLATE	1
34	01-011-210	螺钉M6 L=12	SM-4061255-SP	SCREW M6 L=12	1
35	780-11544-000	挑线过线钩 A	400-10571	L SHAPED THREAD GUIDE A	1
36	780-10406-SP	螺帽 M4	NM-6040000-SN	NUTM4	1
37	11542-780	右线钩	229-20508	ARM THREAD GUIDE A	1
38	01-017-210	螺钉M4 L=6	SM-6040650-TP	SCREW M4 L=6	1
39	01-021-210	左线钩	137-05108	TAKE-UP THREAD GUIDE B	1
40	01-017-210	螺钉M4 L=8	SM-6040860-TP	SCREW M4 L=8	1
41	01-019-210	过线板	B1129-210-000	FRAME THREAD GUIDE (B)	1
42	01-017-210	螺钉 M4 L=8	SM-6040860-TP	SCREW M4 L=8	1
43		小心标签	CM-3002000-02	CAUTION LABEL (25)	1
44		螺钉M3 L=6	SM-4030601-SN	SCREW M3 X 6	1
45		安全标签	CM-3012000-01	SAFETY LABEL S	1
46	01-047-1900	断线刀片	105-02300	THREAD CUTTER	1
47		接地标牌	100-04109	GROUND MARK	1
48		橡胶堵	TA-0750704-RO	RUBBER PLUG	2
49		橡胶堵	TA-0850604-RO	RUBBER PLUG	2
50		橡胶堵	TA-1050504-RO	RUBBER PLUG	6
51		橡胶堵	TA-1250406-RO	RUBBER PLUG D=12.5 L=4	1
52		橡胶堵	TA-1270502-RO	RUBBER PLUG	1
53		橡胶堵	TA-1470704-RO	RUBBER PLUG	1
54		橡胶堵	TA-1550902-RO	PLUG	2
55		橡胶堵	TA-2100904-RO	RUBBER PLUG	3
56			262-60000	BOBBIN WINDER UNIT	1
57			RC-0560711-KP	RETAINING RING	(1)
58			RE-0400000-KO	E-RING 4	(1)
59			262-60802	BTW BEARING SPACER	(1)
60			262-61602	BOBBIN SPRING	(1)
61			262-61701	BTW SPRING	(1)
62			262-60109	BTW BASE	(1)
63			262-60208	BTW CAM PLATE	(1)
64			262-60901	BTW SHAFT	(1)
65			262-61008	BTW LEVER SHAFT	(1)
66			262-61107	BTW LEVER	(1)
67		绕线器组件	SM-5040655-SN	SCREW	(1)
68			WP-0450826-SC	WASHER 4.5X10X0.8	(1)
69			262-60307	BTW BASE SHAFT	(1)
70			262-61305	BTW BEARING	(2)
71			262-60406	BTW SHAFT BASE	(1)
72			262-61206	BTW SPACER	(1)
73			262-60505	BTW CAM LEVER	(1)
74			SM-8050502-TP	SCREW M5 L=5	(1)
75			262-60604	BTW WHEEL	(1)
76			SM-8040802-TP	SCREW M4X8	(2)
77			262-60703	BTW TORSION SPRING	(1)
78			262-61503	BTW WHEEL RUBBER	(1)
79	01-79-1900ASS	曲柄杆防护板	400-11928	CRANK ROD UNDER COVER	1
80		螺钉M4 L=8	SM-5040855-SN	SCREW	3
81		橡胶堵	229-01409	NEEDLE BAR UPPER BUSH CAP	1
82		禁止注油标签	CM-1001000-01	OIL INJECTION PROHIBITION LABE	1

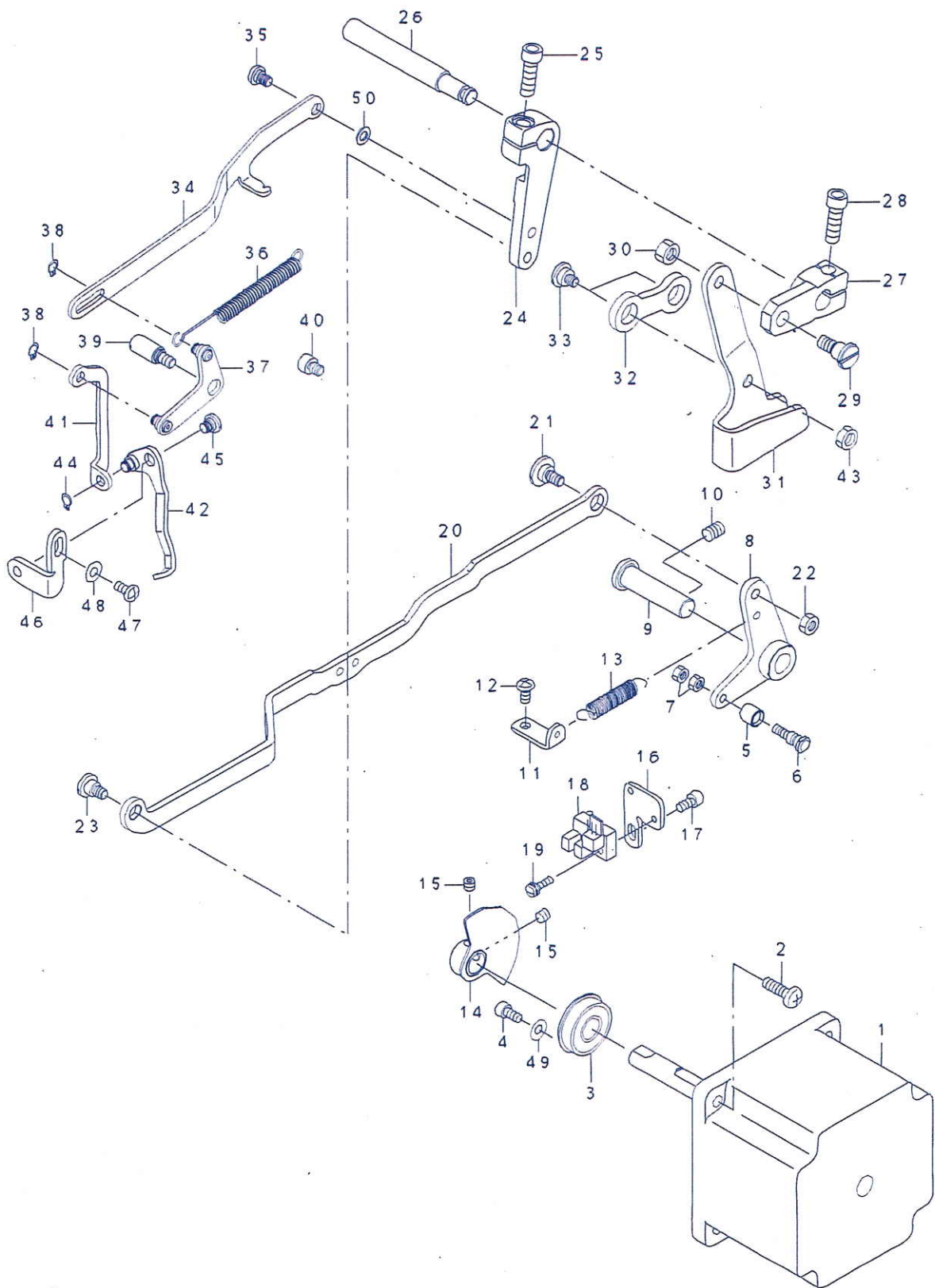
## 2. 上轴针杆部件 MAIM SHAFT & NEEDLE BAR COMPONENTS



## 2. 上轴针杆部件

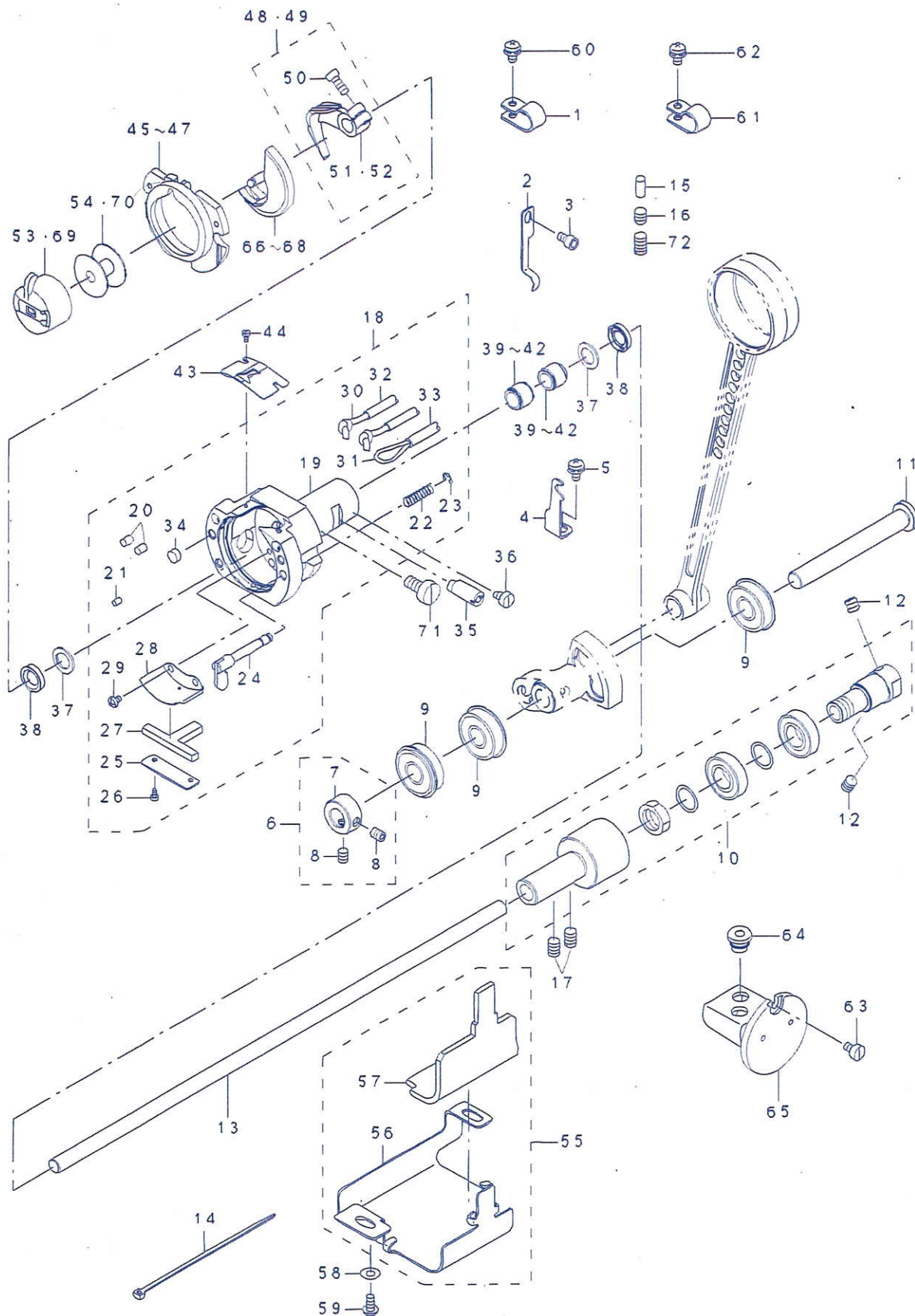
NO	件号	名称	Number	Description	Qty
1	02-01-1900ASS	上轴	400-10572	MAIN SHAFT	1
2	04-005-210	上轴前(中)轴承定位套组件	400-10415	BEARING BUSH A ASM.	2
3	04-005-210	上轴前(中)轴承定位套	400-10416	BEARING BUSH A	(2)
4	04-005.1-210	无头内六角螺钉 M6 L=8	SM-8060812-TP	SCREW M6 L=8	(4)
5	04-004-210	带边球轴承 $\phi 20 \times \phi 42 \times 12$	SB-1200018-00	BEARING	1
6	04-004-210	带边球轴承 $\phi 20 \times \phi 42 \times 12$	SB-1200018-00	BEARING	1
7	04-006-210	球轴承 $\phi 20 \times \phi 47 \times 21$	SB-1200017-00	BEARING	1
8	04-007-210	上轴后轴承定位套组件	400-10418	BEARING BUSH B ASM.	1
9	04-007-210	上轴后轴承定位套	400-10419	BEARING BUSH B	(1)
10	04-007.1-210	无头内六角螺钉 M6 L=8	SM-8060812-TP	SCREW M6 L=8	(2)
11	04-016-210	大连杆	400-31136	CRANK ROD ALL ASM.	1
12	04-020-210	凸轮盖板	400-10421	CRANK ROD SUPPORT PLATE	(1)
13	04-021-210	十字槽沉头螺钉 M3 L=6	SM-1030601-SP	SCREW M3 L=6	(3)
14	04-019-210	橡胶塞 D=6.5 L=6	TA-0670604-R0	PLUG D=6.7 L=6	(2)
15	04-022-210	骨架油封 $10 \times \phi 14 \times 2.6$	101-08009	OIL SEAL	(2)
16	04-023-210	摆动齿轮	400-06561	OSCILLATOR	(1)
17	04-024-210	垫片	400-26818	WASHER	(1)
18	04-026-210	无头内六角螺钉M6×0.75 L=6	SM-8480652-TP	SCREW	(2)
19	04-025-210	开口挡圈 8	RE-0800000-K0	E-SHAPED SNAP RING (8MM)	(1)
20	04-027-210	螺钉 M6 L=4.5	SM-6060550-TP	SCREW M6 L=4.5	(1)
21	04-064-210	挑线组件	400-06529	THREAD TAKE UP COMPL.	1
22	04-065-210	挑线杆组件	400-06530	THREAD TAKE UP LEVER ASM.	(1)
23	04-068-210	带边球轴承 $\phi 8 \times \phi 19 \times 6$	SB-1080022-00	BEARING	(2)
24	04-069-210	球轴承 $\phi 4 \times \phi 11 \times 4$	SB-1040016-00	BEARING	(1)
25	04-066-210	挑线杆	400-06531	THREAD TAKE UP LEVER	(1)
26	04-067-210	挑线杆孔套	B1908-505-000	THREAD PASS BUSH	(1)
27	04-070-210	针杆曲柄连杆组件	400-06534	NEEDLE BAR CRANK ROD ASM.	(1)
28	04-073-210	铜套	228-91006	NEEDLE BAR CRANK ROD METAL	(1)
29	04-071-210	针杆曲柄连杆	400-06535	NEEDLE BAR CRANK ROD	(1)
30	04-072-210	带边球轴承 $\phi 8 \times \phi 19 \times 6$	SB-1080023-00	BEARING	(1)
31	04-076-210	左旋螺钉	B1903-552-000	LEFT SCREW	(1)
32	04-074-210	挑线杆曲柄	400-06532	THREAD TAKE UP CRANK	(1)
33	04-075-210	针杆曲柄	400-06537	NEEDLE ROD CRANK	(1)
34	04-028-210	尼龙垫圈	228-91204	BEARING SUPPORT	2
35	04-029-210		SB-3070002-0A	BEARING	2
36	04-030-210		SB-3070002-0B	BEARING	2
37	04-031-210	滚针轴承 $\phi 7 \times \phi 10 \times 9.6$	SB-3070002-0C	BEARING	2
38	04-032-210		SB-3070002-0D	BEARING	2
39	04-033-210	挡圈组件	400-10434	THRUST COLLAR ASM.	1
40	04-033.1-210	挡圈	400-10435	THRUST COLLAR	(1)
41	04-033.2-210	无头内六角螺钉 M5 L=4	400-10436	THRUST COLLAR SCREW	(2)
42	04-054-210	摩擦轮组件	400-10533	BTW DRIVING WHEEL ASM.	1
43	04-054.1-210	摩擦轮	400-10534	BTW DRIVING WHEEL	(1)
44	04-054.2-210	无头内六角螺钉 M5 L=8	400-10533	BTW DRIVING WHEEL ASM.	(2)
45	04-010-210	针杆曲柄	400-10423	COUNTER WEIGHT	1
46	04-011-210	针杆曲柄定位螺钉	400-06517	COUNTER WEIGHT SCREW A	1
47	04-012-210	螺钉	SM-6081252-TP	BOLT M8 L=12	1
48	04-013-210	无头内六角螺钉M6×0.75 L=6	SM-8480652-TP	SCREW M6X0.75 L=6	1
49	04-014-210	一字平面圆柱头螺钉M6 L=12	SM-6061200-SP	SCREW	1
50	10317-780	止推垫圈	WP-0820516-SP	WASHER 11.6X8.2X0.6	1
51	04-077-210	销轴	400-11902	THREAD TAKE UP CRANK SHAFT	1
52	04-036-210	配重块组件	400-10437	CRANK BALANCER ASM.	1
53	04-038-210	配重压板	400-10439	CRANK BALANCER FIX PLATE	(1)
54	04-039-210	一字平面圆柱头螺钉M5 L=14	400-10440	CRANK BALANCER FIX PLATE SCREW	(2)
55	04-037-210	配重块	400-28015	AC SERVO MOTOR	(1)
56	04-041-210	内六角组合螺钉M5 L=25	SL-6052592-TN	BOLT	4
57	04-042-210	三爪联轴器组件	236-04309	COUPLING	1
58	04-043-210	无头内六角螺钉 M6 L=8	SM-8060812-TP	SCREW M6 L=8	4
59	02-049-1900	手轮	B1212-210-000	PULLEY	1
60	02-045-210	旋向标签	B1144-210-000	REVOLVING DIRECTION LABEL	1
61	02-006-1900	手轮轴	265-00306	HAND PULLEY SHAFT	1
62	GB/T879	弹性圆柱销 4×14	PS-0400142-KH	SPRING PIN 4X14	1
63	02-047-1900	手轮固定螺钉	A1230-500-00A	SET-SCREW	1
64	02-050-1900	弹簧	GAF-01007000	SPRING	1
65	04-050-210	手动伞齿轮(A)	400-06515	GEAR A	1
66	04-051-210	无头内六角螺钉 M4 L=3	SM-8040310-SS	SCREW M4 L=3	2
67	02-008-1900	手动伞齿轮(B)	400-06516	GEAR B	1
68	02-053-1900	螺钉 11/64" -40 L=28	SM-8040310-SS	SCREW M4 L=3	2
69	02-69-1900ASS	针杆	400-10573	NEEDLE BAR	1
70	03-007-185	针杆连接轴	B1411-552-000	NEEDLE BAR CLAMP	1
71	11424-780	螺钉 9/64-40 L=6	SS-6090670-TP	SCREW9/64-40 L=6	1
72	10601-780	针杆架传动滑块	B1414-555-000	SLIDE BLOCK	1
73	04-055-210	针杆上套	400-10441	NEEDLE ROD METAL	1
74	04-056-210	针杆下套	400-10442	NEEDLE ROD LOWER METAL	1
75		针杆导线架	400-10574	THREAD GUIDE	1
76			D1405-L7A-M00	NEEDLE BAR THREAD GUIDE	1
77			MDP-500B1100	NEEDLE DPX5 #11	1
78		机针	MDP-500B1400	NEEDLE DPX5 #14	1
79			MDP-170B2100	NEEDLE DPX17 #21	1
80	04-063-210	螺钉 M3 L=4.5	SM-7030550-TP	SCREW M3 L=4.5	1
81	04-035-210	无头内六角螺钉M6×0.75 L=6	SM-8480652-TP	SCREW M6X0.75 L=6	3
82	04-034-210	无头内六角螺钉螺钉M6 L=8	SM-8060812-TP	SCREW M6 L=8	2
83		伺服电机	400-28015	AC SERVO MOTOR	1
84	04-078-210	无头内六角螺钉 M6 L=12	SM-6061250-TP	SCREW M6 L=12	2

### 3. 拨线控制部件 PRESSER LIFTER & WIPER COMPONENTS



3. 拨线控制部件					
NO	件号	名称	Number	Description	Qty
1		抬压脚控制马达	400-29903	PRESSER LIFTING MOTOR	1
2		螺钉 M5 L=16	SM-4051655-SP	SCREW M5 L=16	4
3	07-047-210	带边球轴承 $\phi 10 \times \phi 26 \times 8$	SB-1100024-00	BEARING	1
4		螺钉M4 L=8	SM-6040802-TP	SCREW M4X0.7 L=8	1
5	11-004-210	凸轮滚子	235-17501	NEEDLE CAM ROLLER A	1
6	11-008-210	滚轮轴	400-40256	CAM ROLLER SHAFT	1
7		螺帽M4	NM-6040001-SP	NUT M4X0.7	2
8	03-08-1900ASS	压脚控制连杆A组件	400-06661	LIFTER LINK A ASM.	1
9	03-09-1900ASS	销轴	400-06716	THREAD TRIMMER SHAFT	1
10		无头内六角螺钉M6 L=8	SM-8060812-TP	SCREW M6 L=8	1
11	03-11-1900ASS	挂弹簧架	400-23831	SPRING RACK	1
12		螺钉M4 L=8	SM-4040855-SP	SCREW	1
13	07-035-210	拉簧	135-15606	SPRING	1
14	07-045-210	感应器组件	400-06666	SENSOR SLIT ASM.	1
15	07-046-210	无头内六角螺钉M5 L=4	SM-8050402-TP	SCREW	2
16	03-16-1900ASS	感应器安装板	400-10443	SENSOR INSTALLING BASE	1
17		内六角圆柱头螺钉M4 L=8	SM-6040802-TP	SCREW M4X0.7 L=8	1
18		感应器	HD-0005700-0A	PHOTO SENSOR	1
19		螺钉M3 L=12	SL-4031291-SC	SCREW M3X12	1
20	03-20-1900ASS	压脚控制连杆B	400-06665	LIFTER LINK B	1
21	11-011-210	轴位螺钉 D=8 H=3.3	SD-0800327-TP	HINGE SCREW D=8 H=3.2	1
22		螺母M5	NM-6050001-SP	NUT M5	1
23	03-23-1900ASS	轴位螺钉	SD-0700406-TP	HINGE SCREW D=7 H=4	1
24	03-020-1900	连接臂	400-06671	CONNECTING ARM	1
25		内六角圆柱头螺钉 M6 L=18	SM-6061802-TP	SCREW M6 L=18	1
26	03-005-1900	连接臂轴	265-00405	CONNECTING SHAFT	1
27	03-27-1900ASS	压脚连接臂	400-08693	LOWERING ARM	1
28		内六角圆柱头螺钉 M6 L=18	SM-6061802-TP	SCREW M6 L=18	1
29	03-29-1900ASS	轴位螺钉	SD-0790606-TP	HINGE SCREW D=7.94 H=6	1
30		螺帽M6	NM-6060001-CP	NUT M6	1
31	03-31-1900ASS	抬压脚压杆	400-06672	LOWERING FOOT	1
32	03-004-1900	抬压脚连杆	141-04400	CONNECTING LINK	1
33	03-33-1900ASS	轴位螺钉	SD-1000406-TP	HINGE SCREW D=10 H=4	2
34	03-34-1900ASS	拨线调节杆	400-06674	WIPER CONNECTING LINK	1
35	03-35-1900ASS	轴位螺钉	SD-0600206-TP	HINGE SCREW D=6 H=2	1
36	04-025-185	拨线杠杆拉簧	135-09708	SPRING	1
37	03-37-1900ASS	拨线杠杆组件	400-10451	WIPER CONNECTING ARM ASM	1
38	5-11-1900	轴用弹性挡圈5	RC-0470611-KP	RETAINING RING 4.7	2
39	03-39-1900ASS	拨线拉杆定位螺钉	400-10455	WIPER CONNECTING LINK SHAFT	1
40			400-10457	WIPER STOPPER	1
41	03-41-1900ASS	拨线拉杆	400-10458	WIPER CONNECTING PLATE	1
42	5-7-1900	拨线杆	400-17202	WIPER C ASM.	1
43		螺母M6	NM-6060003-SC	NUT M6	1
44	5-11-1900	轴用挡圈 5	RC-0470611-KP	RETAINING RING 4.7	1
45	4-56-185	轴位螺钉 D=6.35 H=2.1	SD-0640216-TP	HINGE SCREW D=6.35 H=2.1	1
46	5-9-1900	拨线拉杆定位架	400-06678	WIPER BASE PLATE	1
47		螺钉M4 L=8	SM-4040855-SP	SCREW	1
48		垫圈 4	WP-0450801-SP	WASHER	1
49		垫圈 4	WP-0450801-SP	WASHER	1
50		垫圈 4	WP-0480856-SP	WASHER 4.8X8.4X0.8	1

# 4. 下轴部件 SHUTTLE DRIVER SHAFT COMPONENTS

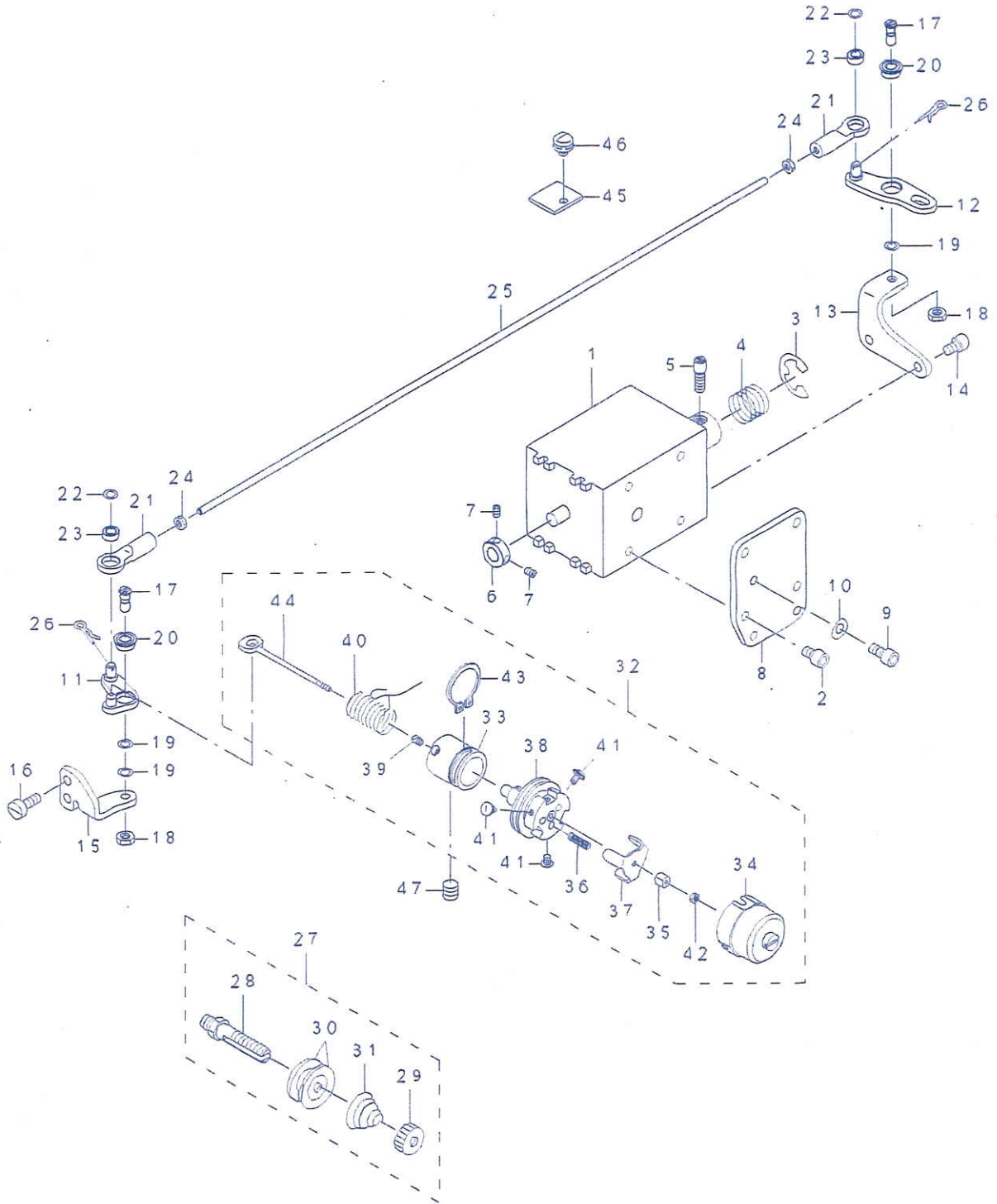




## 4. 下轴部件

NO	件号	名称	Number	Description	Qty
1		电线夹	HX-0015000-0D	CABLE CLIP	1
2	04-02-1900ASS	油绳管夹	400-12127	OIL_PIPE HOLDER	1
3		内六角圆柱头螺钉M4 L=6	SM-6040602-TP	SCREW M4 L=6	1
4	04-04-1900ASS	油绳管夹	400-13721	TUBE_CLAMP	1
5		螺钉M4 L=8	SL-4040891-SC	SCREW M4 L=8	1
6	04-044-1900	挡圈组件	400-10464	THRUST_COLLAR_ASM.	1
7	04-044-1900	挡圈	400-10467	THRUST_COLLAR	(1)
8	5-27-185	螺钉 M5 L=6	400-10469	THRUST_COLLAR_SCREW	(2)
9	08-003-210	带边球轴承 $\phi 10 \times \phi 26 \times 8$	SB-1100024-00	BEARING	3
10	08-(5-10)-210	下轴偏心套组件	400-16077	LOWER_SHAFT_GEAR_ASM.	1
11	04-11-1900ASS	摆动齿轮轴	400-06563	OSCILLATOR_SHAFT	1
12	08-006-210	无头内六角螺钉 M6 L=6	SM-8060612-TP	SCREW M6 L=6	2
13	04-13-1900ASS	下轴	400-10575	LOWER_SHAFT	1
14	08-044-210	尼龙扎头3×80	EA-9500B01-00	CABLE_BAND	2
15	08-045-210	油绳调节柱塞	400-06578	OIL_WICK_PRESSER	1
16	08-046-210	无头内六角螺钉 M6 L=6	SM-8060610-TP	SCREW	1
17	08-011-210	无头内六角螺钉 M6 L=8	SM-8060812-TP	SCREW M6 L=8	2
18		梭床组件	400-06573	SHUTTLE_ASM.	1
19	08-013-210	梭床体	400-06574	SHUTTLE	(1)
20	04-010-1900	油毛毡塞A	B1820-210-D00	SHUTTLE_OIL_FELT.A	(2)
21	04-012-1900	油毛毡塞B	B1821-210-D00	SHUTTLE_OIL_FELT.B	(1)
22	05-005.4-185	压簧	B1822-215-P00	INNER_HOOK_PRESSER_SPRING	(2)
23	08-017-210	开口挡圈3	RE-0300000-K0	E-RING 3	(2)
24	05-005.1-185	梭床盖扳手	265-01858	INNER-HOOK-PRESSER_ASM.	(2)
25	05-005.5-185	油毡压板	141-04004	ONCE_THROUGH_OIL_FELT_PRESSER	(1)
26	05-12-185	螺钉 3/32-56 L=3.5	SM-6020460-TP	SCREW M2 L=3.5	(2)
27	05-005.6-185	油毡	141-03907	SHUTTLE_ONCE_THROUGH_OIL_FELT	(1)
28	08-022-210	梭床毡压板	400-06577	SHUTTLE_LUBRICATING_PLATE	(1)
29	10-45-185	螺钉 9/64-40 L=4	SM-4030455-SP	SCREW	(2)
30	08-024-210	油线 $\phi 2$	CQ-2000000-00	OIL_WICK	(2.6)
31	08-024-210	油线 $\phi 2$	CQ-2000000-00	OIL_WICK	(1.4)
32		乙烯基管	236-30007	TUBE	(1)
33		乙烯基管	236-30007	TUBE	(0.6)
34	10-035-185	橡胶塞	135-29607	SHUTTLE_PACKING	(2)
35	08-028-210	梭床调节轴	400-10471	SHUTTLE_RACE_ADJUSTING_SHAFT	1
36	08-029-210	一字平面圆柱头螺钉 M4 L=6	SM-6040650-TP	SCREW M4 L=6	1
37		垫圈	400-06575	SHUTTLE_BEARING_RING	2
38	08-031-210	骨架油封 $\phi 8 \times \phi 15 \times 3$	400-06576	SHUTTLE_OIL_SEAL	2
39	08-033-210	滚针轴承 $\phi 8 \times \phi 12 \times 9.5$	SB-3080010-0A	BEARING	2
43	04-43-1900ASS	梭床分线板	B1815-210-000	INNER_HOOK_UPPER_SPRING	1
44	05-12-185	螺钉 3/32-56 L=3.5	SM-6020460-TP	SCREW M2 L=3.5	2
45	05-001.1-185	梭床盖	141-03253	INNER_HOOK_PRESSER_ASM..A	1
49	05-003-185	摆梭托	400-14963	SHUTTLE_DRIVER_ASM.	1
50	05-06-185	螺钉 3/16-28 L=12.0	SS-6121212-TP	SCREW 3/16-28 L=12.0	(1)
51	05-003-185	摆梭托	400-11511	SHUTTLE_DRIVER	(1)
53	4-42-185	梭壳组件	B1828-980-0BB	BOBBIN_CASE_ASM.(RACING_PREVE	1
54	05-002-185	梭芯	138-12102	BOBBIN	1
55	04-55-1900ASS	摆动齿轮油毡盒组件	400-10473	LOWER_SHAFT_GEAR_COVER_ASM.	1
56	04-56-1900ASS	摆动齿轮油毡盒	400-10474	LOWER_SHAFT_GEAR_COVER	(1)
57	04-57-1900ASS	摆动齿轮油毡	400-10475	LOWER_SHAFT_GEAR_FELT	(1)
58		垫圈 4	WP-0450801-SP	WASHER	2
59		螺钉M4 L=8	SM-5040855-SN	SCREW	2
60		螺钉M4 L=8	SL-4040891-SC	SCREW M4 L=8	1
61		电线夹	HX-0015000-0B	CABLE CLIP	2
62		螺钉M4 L=8	SL-4040891-SC	SCREW M4 L=8	2
63	03-061-210	一字平面圆柱头螺钉 M4 L=6	SM-6040650-TP	SCREW M4 L=6	1
64	03-062-210	橡胶套	400-06840	RUBBER_BUSH	2
65	03-060-210	油窗组件	400-06836	OIL_TANK_ASM.	1
68	5-4-185	摆梭	400-14965	SHUTTLE(H)	1
71	08-027-210	一字平面圆柱头螺钉M6 L=12	400-10470	SHUTTLE_ASM_SCREW	1
72	08-050-210	无头内六角螺钉M6 L=10	SM-8061050-TP	SCREW	1

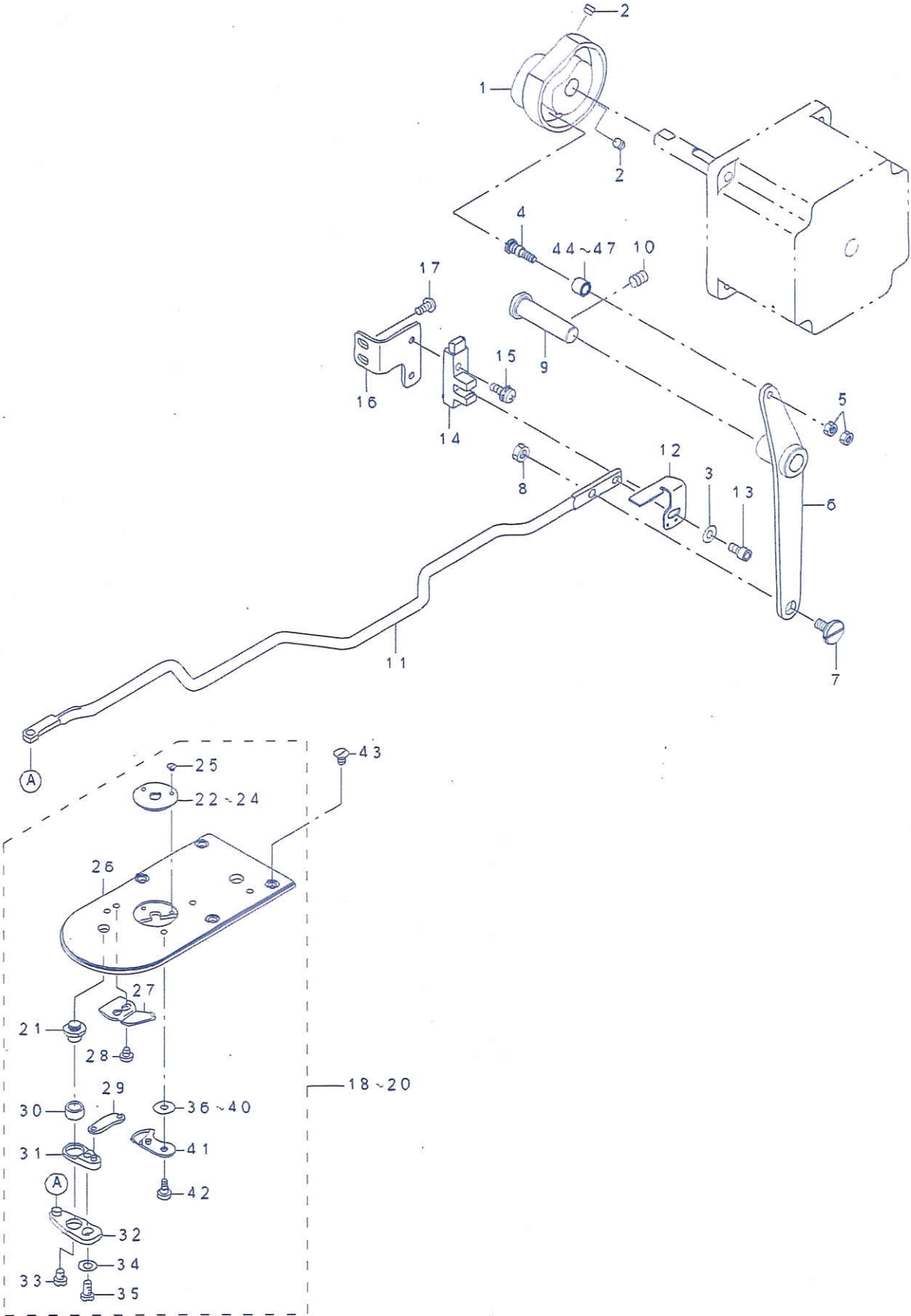
# 5. 夹线器控制部件 THREAD TENSION COMPONENTS



## 5. 夹线器控制部件

NO	件号	名称	Number	Description	Qty
1		电磁吸铁	400-06628	AT SOLENOID	1
2	10-002-210	内六角螺钉M4 L=6	SM-6040602-TP	SCREW M4 L=6	4
3	10-003-210	开口挡圈 $\phi 9$	RE-0900000-K0	E-RING 9	1
4	10-004-210	弹簧	400-06625	SPRING	1
5	10-005-210	轴位螺钉	400-06617	AT SOL PIN	1
6	10-006-210	挡圈	400-10477	AT_SOL_COLLAR	1
7	6-18-1850	无头内六角螺钉 1/8-44	SM-8030412-TP	SCREW	2
8	10-008-210	支承板	400-10479	AT_PLATE	1
9	10-009-210	内六角螺钉M4 L=9	SM-6040802-TN	SCREW	2
10	10-010-210	垫圈 $\phi 4.3 \times \phi 9 \times 0.8$	WP-0430801-SC	WASHER 4.3X9X0.8	2
11	05-11-1900ASS	夹线器转动臂B组件	400-10482	AT_DRIVE_LINK(F)_ASM	1
12	05-12-1900ASS	夹线器转动臂A组件	400-10492	AT_DRIVE_LINK(R)_ASM	1
13	05-13-1900ASS	支架	400-10495	AT_PIVOT_BASE(R)	1
14	10-016-210	内六角螺钉M4 L=6	SM-6040602-TP	SCREW M4 L=6	2
15	05-15-1900ASS	定位座	400-10486	AT_PIVOT_BASE(F)	1
16		螺钉M4 L=10	SM-6041050-TP	SCREW M4 L=10	2
17	10-017-210	轴位螺钉	400-10487	AT_PIVOT_SCREW	2
18	10-018-210	螺母M4	NM-6040003-SC	NUT M4	2
19	10-019-210	垫圈	WP-0400516-UZ	PLAIN WASHER	3
20	10-020-210	带边球轴承 $\phi 4 \times \phi 8 \times 3$	400-10490	AT_PIVOT_BEARING	2
21	10-021-210	连杆联接头	400-10497	AT_JOINT	2
22	10-023-210	垫圈	WP-0400516-UZ	PLAIN WASHER	2
23	10-022-210	轴承 $\phi 4 \times \phi 7 \times 2.5$	400-10498	AT_JOINT_BEARING	2
24	10-018-210	螺母M3	NM-6030003-SC	NUT M3	2
25	05-25-1900ASS	调节连杆	400-10500	AT_CONNECTION_BAR	1
26	10-025-210	R型销 $\phi 1 \times 16$ 配轴径 $\phi 4$	400-06622	AT SNAP PIN	2
27	10-027-210	第一夹线器	400-10503	THREAD_TENSION_1_ASM	1
28	10-030-210	张力柱	400-10504	THREAD_TENSION_SHAFT	(1)
29	10-028-210	夹线螺母	229-28808	NUT	(1)
30	10-029-210	夹线盘	229-21506	THREAD_TENSION_DISK	(2)
31	10-031-210	夹线弹簧	262-18602	FIRST_THREAD_TENSION_SPRING	(1)
32	10-032-210	夹线器组件	400-10508	THREAD_TENSION_2_ASM	1
33	10-035-210	过线螺钉座	400-10510	THREAD_TENSION_POST_BASE	(1)
34	10-036-210	护罩	400-10511	DISK_STOPPER_HOLDER_CAP	(1)
35	10-037-210	螺母M2	400-10512	THREAD_TENSION_SHAFT_COLLAR	(1)
36	10-038-210	弹簧	400-10513	DISK_STOPPER_SP	(3)
37	10-039-210	弹簧罩	400-10514	DISK_STOPPER	(1)
38	10-040-210	夹线盘	400-10515	ASSY_THREAD_TENSION_POST	(1)
39	10-041-210	无头内六角螺钉 M3 L=4	400-10478	AT_SOL_COLLAR_SCREW	(1)
40	10-046-210	挑线簧	229-21605	THREAD_TAKE-UP_SPRING	(1)
41	10-043-210	圆头螺钉M2.5, L=4	400-10521	HOLD_CAP_SCREW	(3)
42	10-044-210	螺母M2	400-10522	SHAFT_NUT	(1)
43	10-045-210	轴用挡圈 $\phi 17$	400-10523	POST_BASE_C_RING	(1)
44	10-034-210	拉紧释放钉	400-10509	THREAD_TENSION_SHAFT	(1)
45	10-048-210	油毡	400-13967	AT-FELT	1
46	10-049-210	螺钉	SL-4040681-SC	COMBINATION_SCREW_M4_X_8	1
47	10-047-210	无头内六角螺钉 M6 L=16	SM-8061612-TP	SCREW M6X16	1

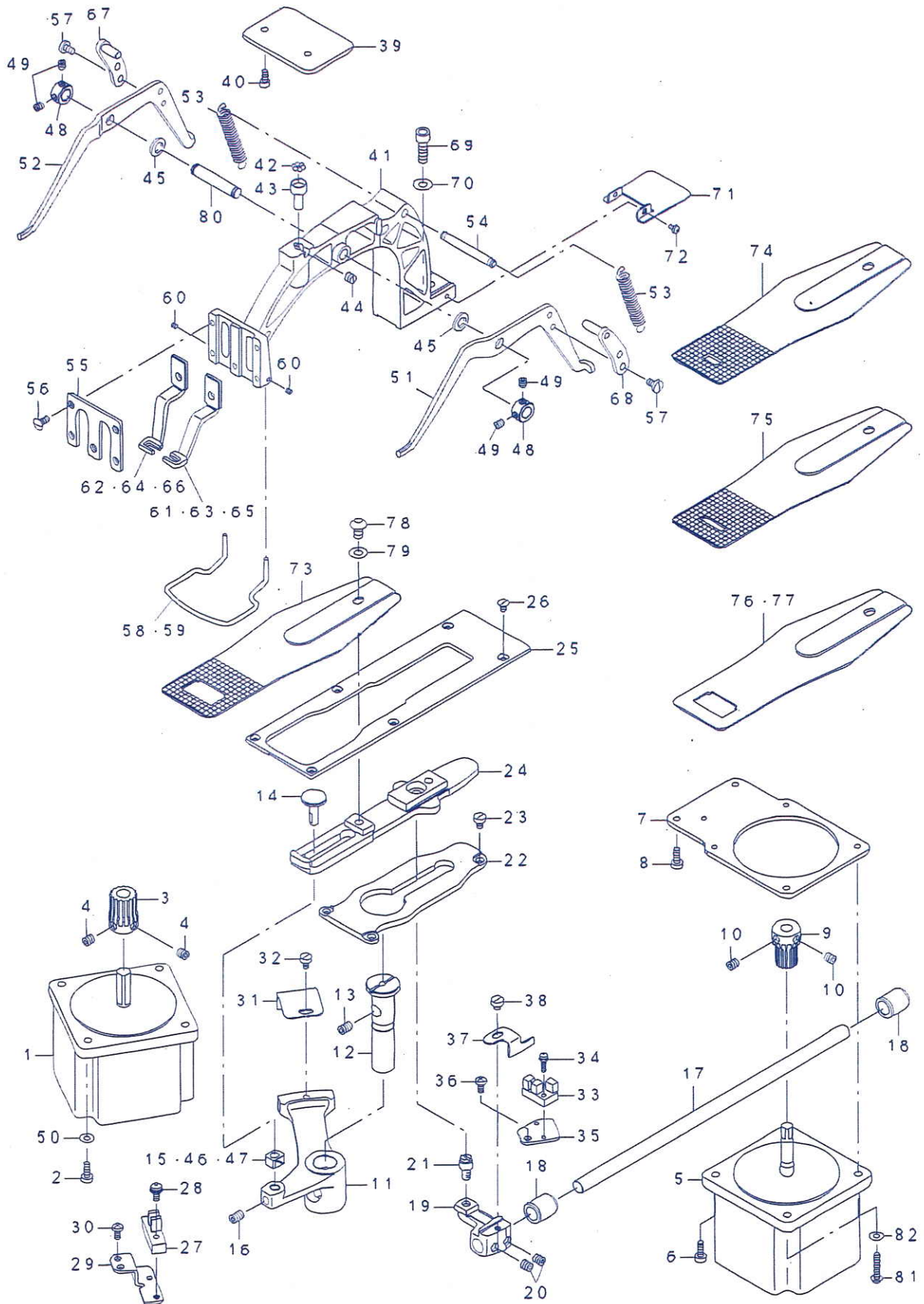
6. 剪线机构部件 THREAD TRIMMER MECHANISM COMPONENTS



## 6. 剪线机构部件

NO	件号	名称	Number	Description	Qty
1	06-01-1900ASS	剪线凸轮	400-06711	THREAD TRIMMER CAM	1
2	11-002-210	无头内六角螺钉 M5 L=5	SM-8050592-TP	SCREW	2
3	11-018-210	垫圈 $\phi 4.3 \times \phi 9 \times 0.8$	WP-0450801-SP	WASHER	1
4	11-008-210	滚轮轴	400-40256	CAM ROLLER SHAFT	1
5	11-009-210	螺母 M4	NM-6040001-SP	NUT M4X0.7	2
6	11-010-210	剪线杠杆	400-06712	THREAD TRIMMER LINK ASM.	1
7	11-011-210	轴位螺钉 D=8 H=3.3	SD-0800327-TP	HINGE SCREW D=8 H=3.2	1
8	11-012-210	螺母 M5	NM-6050001-SP	NUT M5	1
9	03-09-1900ASS	杠杆轴	400-06716	THREAD TRIMMER SHAFT	1
10	11-014-210	无头内六角螺钉 M6 L=8	SM-8060812-TP	SCREW M6 L=8	1
11	06-11-1900ASS	剪线拉杆	400-06717	CONNECTING BAR	1
12	11-016-210	剪线传感器挡板	400-10525	THREAD TRIMMER SENSOR SLIT	1
13	11-017-210	内六角圆柱头螺钉 M4 L=6	SM-6040802-TP	SCREW M4X0.7 L=8	1
14	11-019-210	传感器	HD-0022300-00	PHOTO SENSOR	1
15	11-020-210	十字盘头螺钉 M4 L=12	SL-4041291-SC	SCREW M4 L=12	1
16	06-16-1900ASS	剪线传感器支架	400-10526	THREAD TRIMMER SENSOR BASE	1
17	11-022-210	内六角圆柱头螺钉 M4 L=8	SM-4040855-SP	SCREW	2
18	-1900	针板组件	400-06722	NEEDLE PLATE ASM. . A	1
21	03-026.2-185	动刀曲柄轴	B2417-280-000	THREAD CUTTER LEVER SHAFT	(1)
22	03-025-185	针板 ( $\phi 1.6$ 、 $\phi 2.2$ 、 $B\phi 1.6$ )	B2426-280-000	NEEDLE HOLE GUIDE	(1)
25	11-035-210	平机螺钉 3/32-56 L=2.2	SS-1060210-TP	SCREW3/32-56 L=2.2	(2)
26	03-026-185	大针板	400-06721	NEEDLE PLATE	(1)
27	03-027-185	定刀	B2424-280-000	FIXING KNIFE	(1)
28	11-033-210	圆柱螺钉 9/64-40 L=3.5	SS-7090410-SP	SCREW 9/64-40 L= 3.5	(2)
29	11-030-210	动刀连杆	B2418-280-000	MOVING KNIFE LINK	(1)
30	11-031-210	动刀曲柄衬套	B2416-280-000	THREAD CUTTING LEVER RING	(1)
31	11-032-210	动刀曲柄组件	B2415-280-0A0	THREAD CUTTER LEVER ASM. . SMALL	(1)
32	11-034-210	动刀驱动连杆组件	B2414-280-0A0	THREAD CUTTER LEVER ASM. . LARGE	(1)
33	11-040-210	圆柱螺钉 11/64-40 L=4.	SS-6110430-TP	SCREW 11/64-40 L= 4.0	(1)
34	11-037-210	垫圈 $\phi 4.8 \times \phi 7.8 \times 0.8$	WP-0450846-SP	WASHER	(1)
35	11-039-210	圆柱螺钉 11/64-40 L=7	SS-7110740-TP	SCREW11/64-40 L=7	(1)
36	03-032-185	调整垫片 $\phi 3.8 \times \phi 11 \times (0.4 \ 0.5 \ 0.6)$	B2423-280-00C	MOVING KNIFE WASHER C	(1)
41	03-033-185	动刀	B2421-280-0A0	MOVING KNIFE ASM.	(1)
42	3-54-185	轴位螺钉 D= 5.0H= 0.9	SD-0500091-TP	HINGE SCREW D= 5.0H= 0.9	(1)
43	11-003-210	沉头螺钉M4 L=8	SM-1040650-TP	SCREW M4 L=6	4
44	11-004-210	滚柱	263-15606	NEEDLE CAM ROLLER A	1

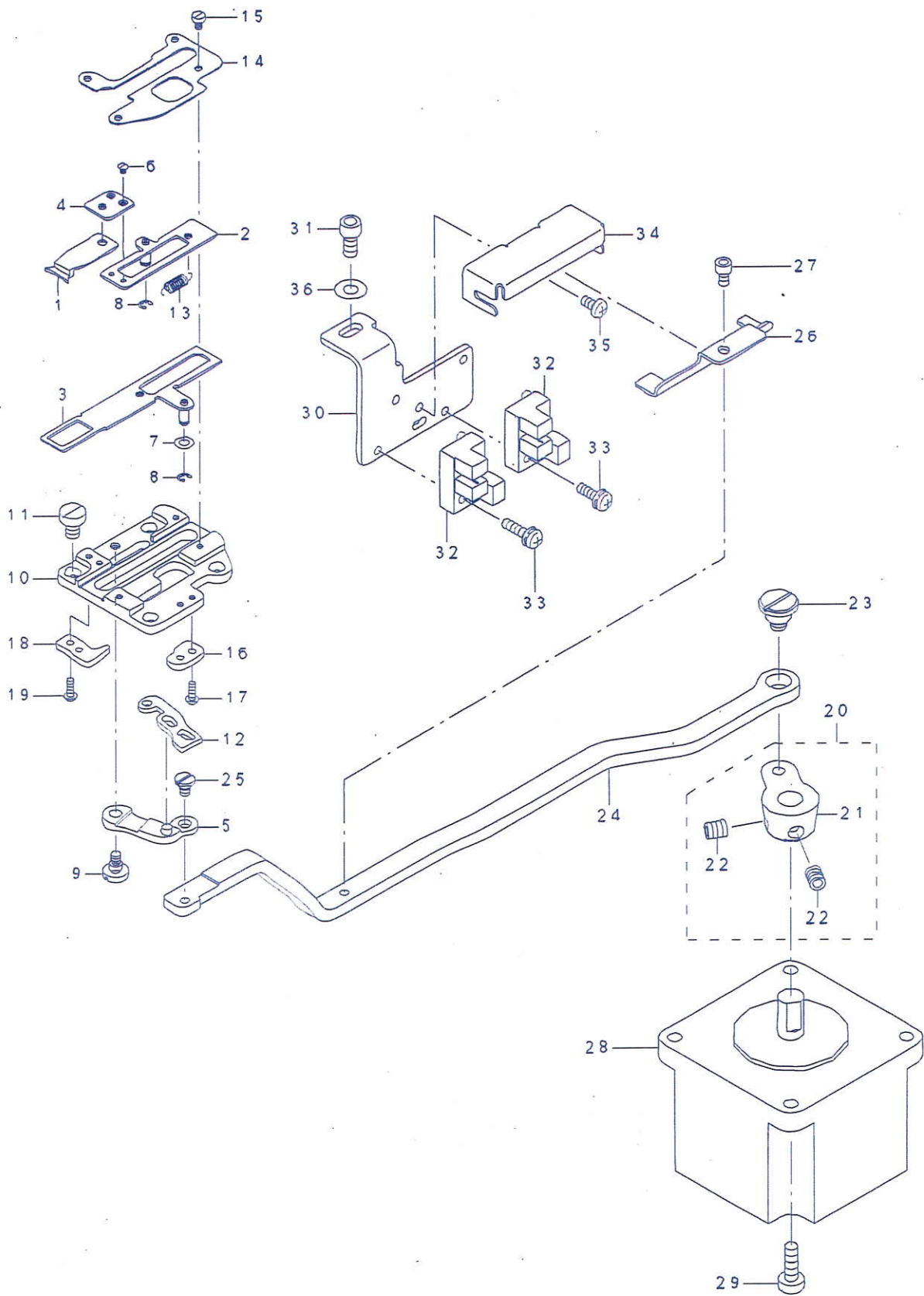
# 7. 送料机构部件 FEED MECHANISM COMPONENTS



## 7. 送料机构部件

NO	件号	名称	Number	Description	Qty
1		横向进给电机	400-29901	X FEED MOTOR	1
2		螺钉M4 L=16	SM-4041655-SP	SCREW M4 L=16	4
3	08-002-1900	横向进给齿轮	265-01403	X FEED GEAR	1
4		无头内六角螺钉M6 L=6	SM-8060602-TP	SCREW M6X6	2
5		纵向进给电机	400-29902	Y FEED MOTOR	1
6		螺钉M4 L=11	SM-6041150-TP	SCREW M4 L=11	2
7	07-07-1900ASS	纵向进给电机支架	400-10536	Y FEED MOTOR BASE	1
8		螺钉M4 L=11	SM-6041150-TP	SCREW M4 L=11	2
9	08-005-1900	纵向进给齿轮	265-01502	Y FEED GEAR	1
10		无头内六角螺钉M6 L=6	SM-8060602-TP	SCREW M6X6	2
11	07-11-1900ASS	横向针距进给臂	400-06736	CLOTH FEED ARM	1
12	8-24-1900	针距调节轴	135-16208	FEED DRIVING ARM SHAFT	1
13		无头内六角螺钉M6 L=8	SM-8060812-TP	SCREW M6 L=8	1
14	06-029-185	送料滑块轴	262-23305	SLIDE BLOCK STUD	1
15	06-030-185	滑块	B1414-232-000	SQUARE BLOCK	1
16		无头内六角螺钉M6 L=8	SM-8060812-TP	SCREW M6 L=8	1
17	07-17-1900ASS	纵向进给轴	400-06738	Y FEED SHAFT	1
18	07-18-1900ASS	纵向进给轴套	B2509-704-000	BUSHING. REAR	2
19	8-3-1900	纵长进给臂	265-00009	Y FEED ARM	1
20	10404-780	无头内六角螺钉1/4-40 L=6	SS-8660612-TP	SCREW 1/4-40 L=6	2
21	08-020-1900	针距滑块轴	135-17404	HINGE STUD	1
22	07-22-1900ASS	进给板支撑板	400-06740	CLOTH FEED SUPPORT PLAE	1
23		螺钉M4 L=6	SM-6040650-TP	SCREW	3
24	07-24-1900ASS	送料托架	400-06737	CLOTH FEED PLATE	1
25	07-25-1900ASS	盖板	400-06739	CLOTH FEED PRESSER PLATE	1
26	11-003-210	沉头螺钉M4 L=8	SM-1040650-TP	SCREW M4 L=6	4
27		X向传感器	HD-0022300-00	PHOTO SENSOR	1
28		螺钉M4 L=12	SL-4041281-SC	SCREW M4X0.7 L=12	1
29	8-9-1900	X向传感器固定板	141-11702	SENSOR INSTALLING BASE	1
30		螺钉M4 L=8	SM-4040855-SP	SCREW	2
31	8-8-1900	X向传感器切片	141-11504	CROSSFEED SENSOR SLIT	1
32		螺钉M4 L=6	SM-6040650-TP	SCREW M4 L=6	1
33		Y向传感器	HD-0005700-0A	PHOTO SENSOR	1
34		螺钉M3 L=12	SL-4031291-SC	SCREW M3X12	1
35	8-11-1900	Y向传感器固定板	141-11801	SENSOR INSTALLING BASE	1
36		螺钉M4 L=8	SM-4040855-SP	SCREW	1
37	8-10-1900	Y向传感器切片	141-36402	LENGTHWISE FEED SENSOR SLIT	1
38	1-8-185	螺钉 11/64-40 L=4.3	SS-6110480-SP	SCREW 11/64-40 L=4.3	1
39	07-39-1900ASS	承料板	400-39255	SUPPORT PLATE	1
40		螺钉M4 L=8	SM-6040802-TP	SCREW M4X0.7 L=8	2
41	06-008-185	送料架	400-39013	FEED BRACKET B	1
42	6-10-185	钢球(1/8") (308-31750)	B2549-280-000	WORK CLAMP FOOT MOUNTING BASE	7
43	06-006-185	钢球座	B2548-280-000	BALL RETAINER	1
44	11116-780	螺钉 15/64-28 L= 8.7	SS-8150510-TP	SCREW 15/64-28 L= 4.7	1
45	6-3-185	垫圈 8.5×14×1	B2557-280-00A	WASHER FOR DRIVING ARM	2
48		挡圈Φ8	CS-0800881-TP	THRUST COLLAR	2
49		螺钉M5 L=5	SM-8050512-TP	SCREW M5 L=5	4
50		垫圈 4	WP-0450801-SP	WASHER	4
51	06-009-185	右压脚提升架	262-04008	LIFTING LEVER RIGHT	1
52	06-003-185	左压脚提升架	262-04107	LIFTING LEVER LEFT	1
53	06-002-185	拉簧	141-05407	CLOTH PRESSER SPRING	2
54	8-40-1900	拉簧挂销	135-18501	SPRING SUSPENSION	1
55	06-011-185	压脚面板	135-18808	WORK CLAMP FOOT FACE PLATE	1
56	10515-780	螺钉 11/64-40 L=8.7	SS-2110930-SP	SCREW 11/64-40 L=8.7	5
57	10146-780	螺钉 11/64-40 L=7	SS-7110740-TP	SCREW11/64-40 L=7	4
58	06-010-185	护手圈	135-33104	FINGER GUARD	1
60	6-18-185	螺钉 1/8-44 L=2.8	SS-8080310-TP	SCREW 1/8-44 L=2.8	2
65	06-012-185	右压脚	135-42915	WORK CLAMP FOOT. RIGHT	1
66	06-013-185	左压脚	135-43012	WORK CLAMP FOOT. LEFT	1
67	06-001-185	压脚提升杠杆组件(左)	400-06745	LEVER DRIVING PLATE L ASM.	1
68	06-001-185	压脚提升杠杆组件(右)	400-06747	LEVER DRIVING PLATE R ASM.	1
69	8-61-1900	螺钉M6 L=18	SM-6061802-TP	SCREW M6 L=18	1
70	6-13-185	垫圈 6.2X13X1	WP-0621016-SD	WASHER 6.2X13X1	1
71	07-71-1900ASS	遮板	400-10570	HIDDEN PLATE	1
72		螺钉M3 L=5	SM-5030501-SC	SCREW M3 L=5	2
73	8-14-1900	送料板 A	141-16107	FEED PLATE A	1
78	8-64-1900	螺钉M6 L=10	SM-3061052-TP	SCREW M6 L=10	1
79	6-13-185	垫圈 6.2X13X1	WP-0621016-SD	WASHER 6.2X13X1	1
80	06-004-185	提升架轴	400-39012	LIFTING LEVER SHAFT B	1
81		螺钉M4 L=20	SM-4042055-SP	SCREW M4 L=20	2
82		垫圈 4	WP-0450801-SP	WASHER	2

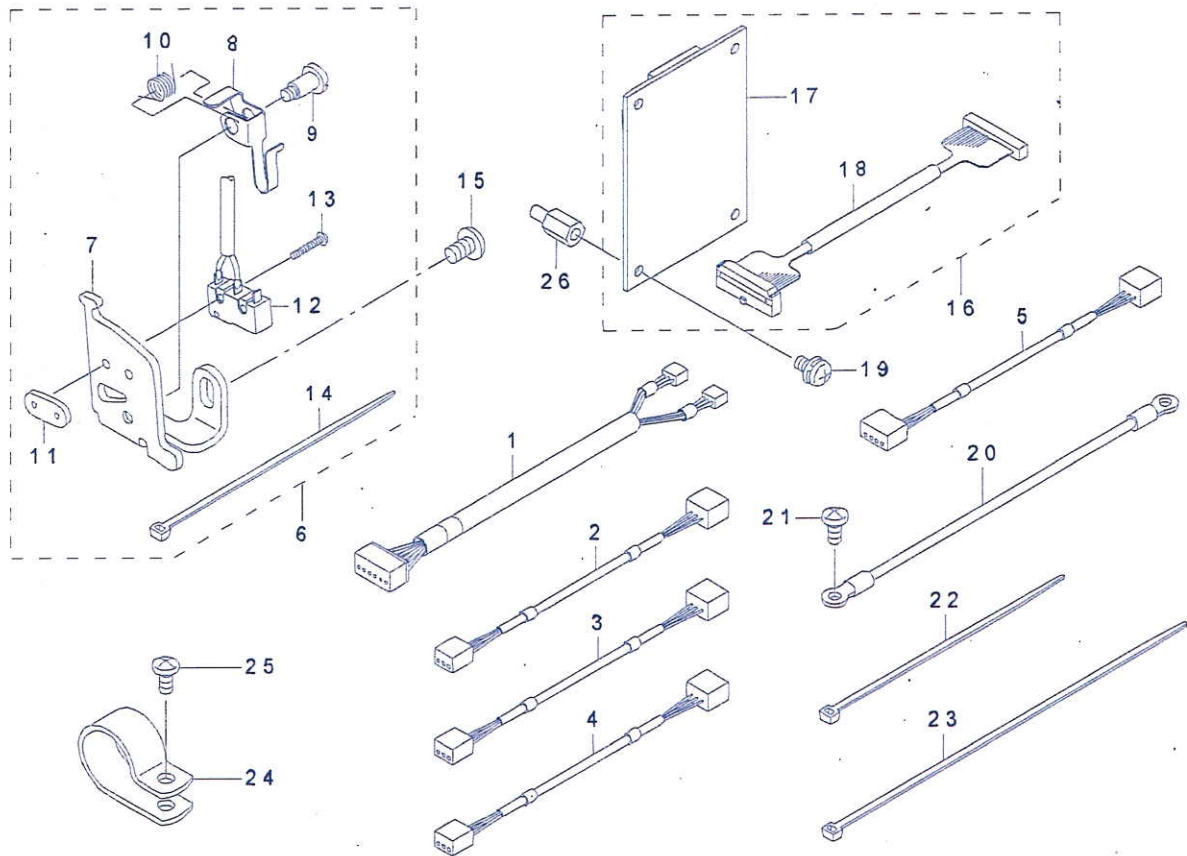
# 8. 抓线机构部件 TC CLAMP COMPONENTS





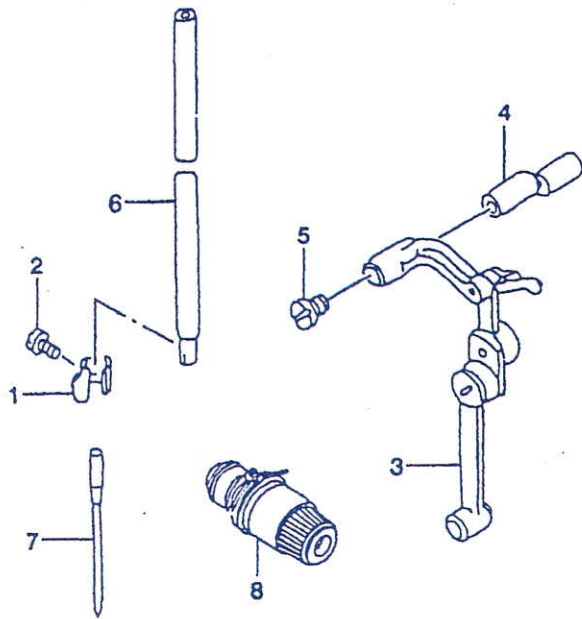
8. 抓线机构部件					
NO	件号	名称	Number	Description	Qty
1	12-001-210	夹子	400-06761	TC CLAMP	1
2	12-003-210	夹子座组件	400-06762	TC CLAMP PLATE ASM.	1
3	12-004-210	夹线板组件	400-06765	TC SUPPERT PLATE ASM.	1
4	12-019-210	夹子连接板	400-06768	TC JOINT ASM.	1
5	12-005-210	驱动连杆	400-15800	TC-LINK ASM	1
6	12-020-210	螺钉M1.6*0.2 L=1.35	SM-2360110-TP	SCREW M1.6X0.2 L=1.35	2
7	12-006-210	垫圈 3	WP-0320500-SC	WASHER M3	1
8	12-007-210	开口挡圈	RE-0200000-K0	E-RING	2
9	12-008-210	轴位螺钉 D=4 H=2.6	SD-0400266-TP	HINGE SCREW D=4 H=2.6	1
10	12-009-210	夹线器座	400-10589	TC BASE	1
11	12-021-210	一字平面螺钉 M4 L=6	SM-6040650-TP	SCREW M4 L=6	4
12	12-010-210	辅助板	400-06772	TC CAM PLATE	1
13	12-011-210	拉簧	400-06780	TC SPRING	1
14	12-012-210	夹线座盖板	400-06781	TC BASE COVER	1
15	12-013-210	一字平面螺钉 M2 L=2.5	SM-6020350-SP	SCREW M2 L=2.5	4
16	12-014-210	右夹板	400-06782	TC NOTCH R	1
17	12-018-210	一字平面螺钉 M2 L=6	SM-4020600-SP	SCREW M2 L=6	2
18	12-016-210	左夹板	400-06777	TC NOTCH F	1
19	12-037-210	一字平面螺钉M2 L=4	SM-6020450-TP	SCREW	2
20	12-022-210	联结臂组件	400-10527	TC_DRIVING_ARM_ASM.	1
21	12-023-210	联结臂	400-10528	TC_DRIVING_ARM	(1)
22	12-024-210	无头内六角螺钉M5 L=6	400-11152	TC_ARM_SCREW	(2)
23	12-025-210	轴位螺钉 D=8 H=4	SD-0800406-TP	SHOULDER SCREW D8 H4	1
24	08-24-1900ASS	夹线器拉杆	400-06776	TC CONNECTING LINK	1
25	12-027-210	轴位螺钉 $\phi$ 3.5, L=1.5	SD-0350156-TP	SHOULDER SCREW	1
26	08-26-1900ASS	传感器挡板	400-10530	SENSOR SLIT	1
27	12-029-210	内六角圆柱头螺钉M3 L=5	SM-6030502-TP	BOLT M3X5	1
28		步进电机	400-06864	THREAD CLAMP MOTOR	1
29	12-031-210	螺钉M4 L=12	SM-6041200-SP	SCREW M4 L=12	4
30	08-30-1900ASS	感应器安装座	400-10531	SENSOR INSTALLING BASE	1
31		内六角圆柱头螺钉M4 L=8	SM-6040802-TP	SCREW M4X0.7 L=8	1
32		感应器	HD-0005700-0A	PHOTO SENSOR	2
33		十字螺钉 M3 L=10	SL-4031091-SC	SCREW M3 X 10	2
34	08-34-1900ASS	感应器防护板	400-10532	DUST_GUARD	1
35		十字螺钉 M3 L=6	SM-4030601-SN	SCREW M3 X 6	1
36	12-002-210	垫圈 4	WP-0450801-SP	WASHER	1

# 9. 安全保护开关部件 SENSOR COMPONENTS

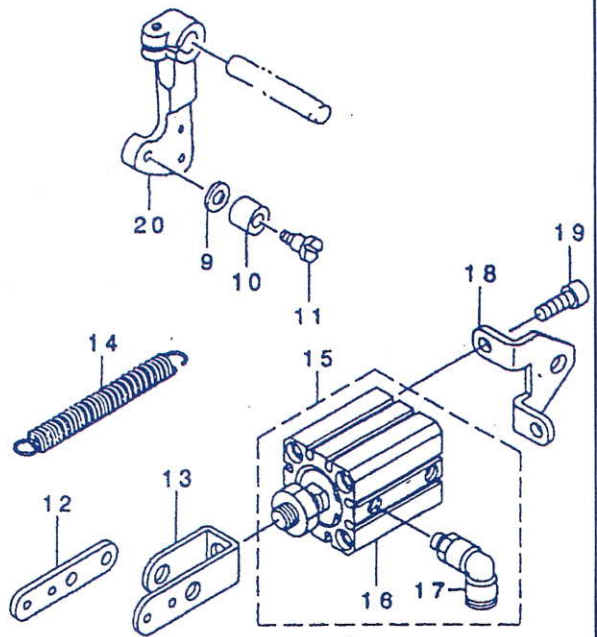


9. 安全保护开关部件					
NO	件号	名称	Number	Description	Qty
1		电缆线组件	400-05729	TH SENSOR CABLE ASM.	1
2		电缆线组件	400-05731	Y SENSOR CABLE ASM.	1
3		电缆线组件	400-05732	PF SENSOR CABLE ASM.	1
4		电缆线组件	400-05730	X SENSOR CABLE ASM.	1
5		电缆线组件	400-05733	TT SENSOR CABLE ASM.	1
6		安全开关组件	400-06495	SAFETY SW ASM.	1
7	03-064-210	安全开关座	400-06496	SAFETY SW BASE	(1)
8	03-065-210	安全开关臂	236-38109	SAFETY SWITCH ARM.	(1)
9	03-066-210	安全开关轴	400-06497	SAFETY SW ARM SHAFT	(1)
10	03-067-210	扭转弹簧	236-38208	SAFETY SWITCH SPRING	(1)
11	03-068-210	安全开关压板	236-38406	SAFETY SWITCH NUT	(1)
12		开关	400-05734	SAFETY SW CABLE ASM.	(1)
13	03-069-210	十字盘头螺钉M2×12	SM-4021201-SC	SCREW M2 L=12	(2)
14	03-070-210	尼龙扎带 3×100	EA-9500B01-00	CABLE BAND	(1)
15	03-072-210	十字盘头螺钉M5 L=10	SM-4050855-SP	SCREW	1
16		印制电路板组件	400-05664	INT PCB ASM.	1
17		印制电路板	400-05660	INT PCB	(1)
18		电缆线组件	400-05725	INT CABLE ASM.	(1)
19		螺钉M4 L=8	SL-4040881-SF	SCREW M4 L=8	4
20		接地电缆线组件	141-15554	HEAD GROUND CABLE A ASM.	1
21		螺钉M4 L=8	SM-4040855-SP	SCREW	1
22		尼龙扎带 3×100	EA-9500B01-00	CABLE BAND	6
23		尼龙扎带	EA-9500B02-00	CABLE BAND 150	3
24		电线夹	HX-0015000-OK	CABLE CLIP	1
25		螺钉M4 L=8	SM-4040855-SP	SCREW	1
26	01-19-1790	六角柱钉	HX-0033900-00	STUD	4

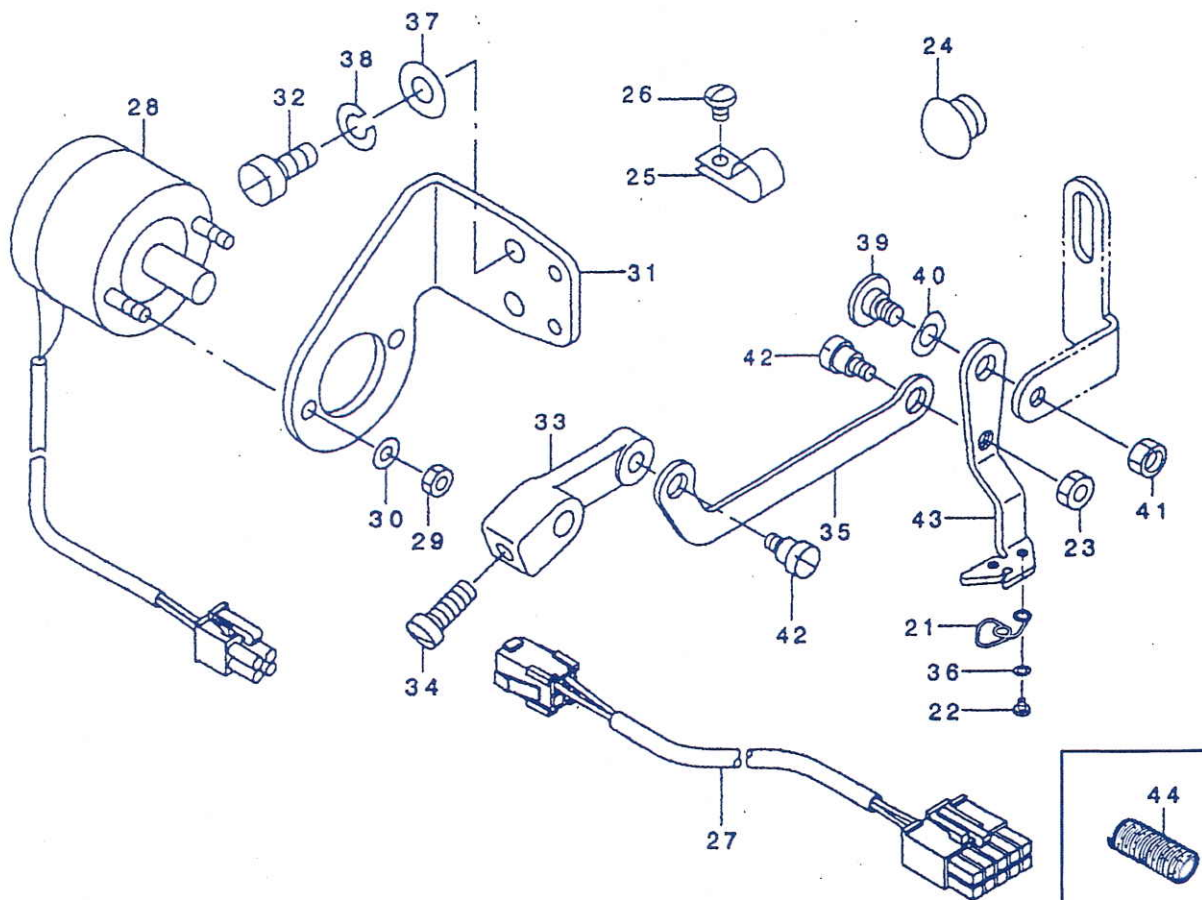
10. RHEIN1903S△-30△: NEEDLE BAR & THREAD TENSION COMPONENTS



11. RHEIN1903S△-30△: PRESSER LIFTER COMPONENTS

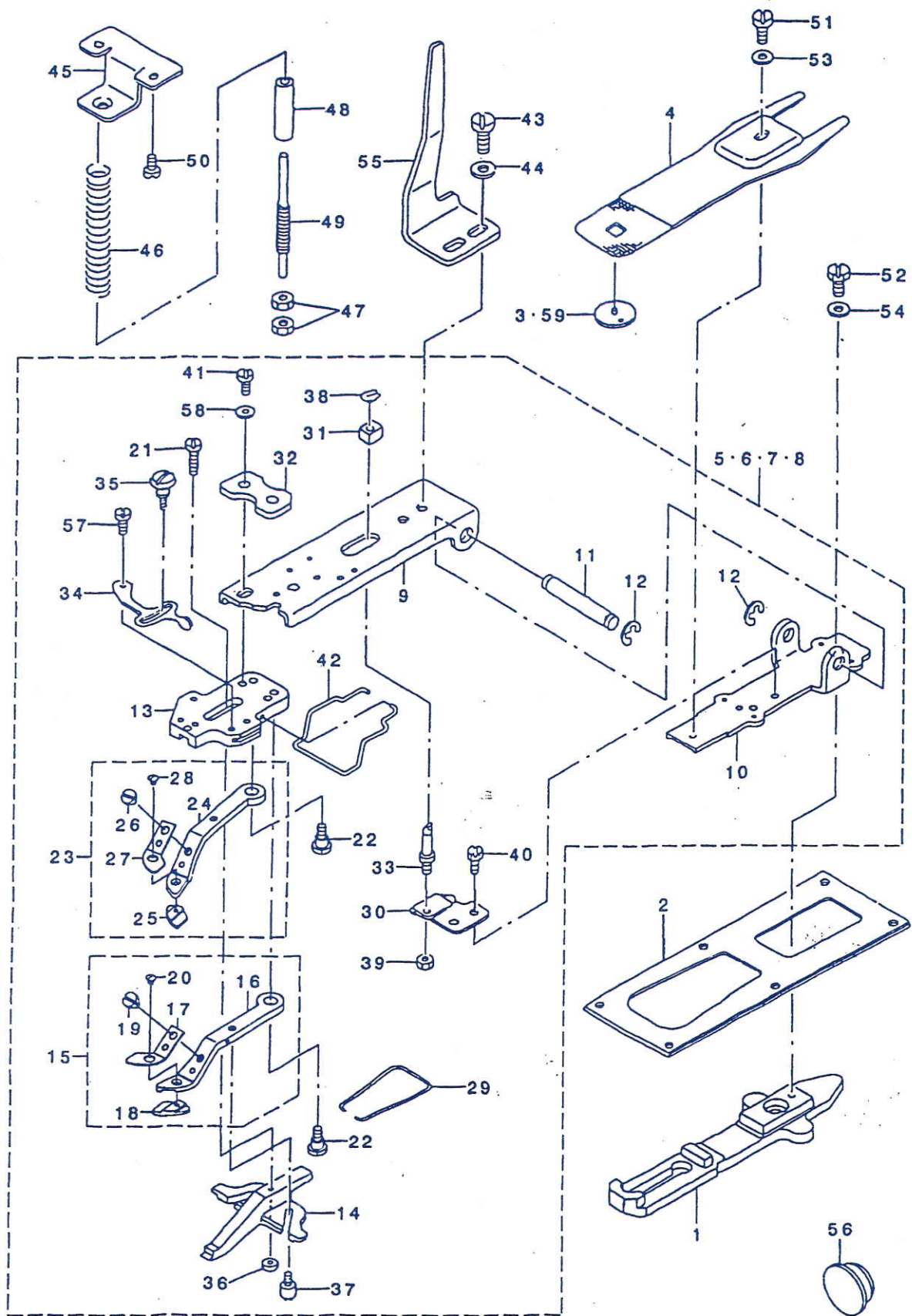


12. RHEIN1903S△-30△: WIPER MECHANISM COMPONENTS



NO	件号	名称	Number	DESCRIPTION	QTY
1	03-010-185	针杆过线板	D1405-M7W-F00	NEEDLE BAR THREAD GUIDE	1
2	3-15-185	螺钉 1/8-44 L=4.5	SS-7080510-TP	SCREW 1/8-44 L=4.5	1
3	03-003-185	挑线杆组件	D1901-L7V-VB0	THREAD TAKE-UP LEVER ASM	1
4	02-003-1851	挑线杆曲柄连接销	D1904-L7V-V00	LINK TAKE-UP LEVER PIN, HEAVY	1
5		螺钉	D1906-L7V-V00	SET SCREW	1
6	03-008-185	针杆	D1401-L7V-V00	NEEDLE BAR	1
7	DP×17 #14	机针 DP×17 #14	MDP-170B1400	NEEDLE DP×17 #14	1
8		夹线器组件	B2302-205-0A0	TENSION CONTROLLER NO.2 ASM	1
9	DQ-0621010-PD	垫圈	B1853-512-00E	HOOK DHAFT WASHER	1
10	03-002-1851	滚子	B2619-372-000	STOP MOTION TRIPPING LEVER CAM	1
11	ZD-7079127-55	轴位螺钉	SD-0791271-SP	HINGE SCREW D=7.94 H=12.7	1
12	11-12-1903	连杆	141-47003	SOLENOID LINK	1
13	11-13-1903	连接架	141-47102	CYLINDER KNUCKLE	1
14	11-14-1903	拉簧	100-87906	TENTION SPRING	1
15	11-15-1903	气缸组件	141-47359	PRESSER LIFTING CYLINDER ASM	1
16	11-16-1903	气缸	PA-2502007-A0	AIR CYLINDER	(1)
17	11-17-1903	气管接头	PJ-3040605-02	ELBOW UNION M5×6	(2)
18	11-18-1903	气缸支架	141-47201	PRESSER LIFTING CYLINDER BASE	1
19	GB70	螺钉	SM-6061602-TP	SCREW M6 L=16	2
20	03-004-1851	连接杆	135-41313	CONNECTING ARM	1
21	12-21-1903	弹簧夹	141-47805	SPRING	1
22	12-22-1903	螺钉	SS-7060310-SP	SCREW 3/32-56 L=3	2
23	12-23-1903	螺母	NS-6110310-SP	NUT 11/64-40	1
24	12-24-1903	堵头	TA-1250705-R0	RUBBER PLUG	1
25		线夹	HX-0012300-0C	CABLE CLIP	3
26	12-26-1903	螺钉	SS-4110615-SP	SCREW 11/64-40 L=6	3
27	12-27-1903	电缆组件	141-42251	SOLENOID RELAY CABLE ASM	1
28	12-28-1903	电磁铁组件	141-47755	SOLENOID FOR WIPER ASM	1
29	12-29-1903	螺母	NM-6040003-SC	NUT M4	2
30	12-30-1903	垫片	WS-0410002-KS	SPRING WASHER M4	2
31	12-31-1903	电磁铁支架	138-64509	SOLENOID FITTING PLATE	1
32	12-32-1903	螺钉	SS-6111010-TP	SCREW 11/64-40 L=9.5	2
33	12-33-1903	曲柄	B2102-205-00A	WIPER ARM	1
34	12-34-1903	螺钉	SS-7111120-SP	SCREW 11/64-40 L=10.5	1
35	12-35-1903	连接杆	141-47607	WIPER LINK	1
36	12-36-1903	垫片	WP-0280500-SC	WASHER	1
37	12-37-1903	垫片	WP-0450801-SD	WASHER 4.5×10×0.8	2
38	12-38-1903	弹簧挡圈	WS-0451040-KP	SPRING WASHER 4.5×8.5×1	2
39	12-39-1903	螺钉	SD-0640261-SP	HINGE SCREW D=3.65 H=2.6	1
40	12-40-1903	波形垫片	WZ-0640200-KP	WAVE WASHER	1
41	12-41-1903	螺母	NS-6120310-SP	NUT 3/16-28	1
42	12-42-1903	轴位螺钉	SD-0600181-TP	HINGE SCREW	2
43	12-43-1903	拨线杆	141-47508	WIPER	1
44	12-44-1903	堵头	141-48407	VERTICAL FEED SHAFT SPRING	1

# 13. RHEIN1903-301: BUTTON CLAMP COMPL. FOR SMALL-BUTTONS



### 13. BUTTON CLAMP COMPL. FOR SMALL-BUTTONS

NO	件 号	名 称	Number	D E S C R I P T I O N	QTY
1	08-013-1900	送料托架	141-45106	CLOTH FEED PLATE	1
2	08-021-1900	盖板	135-17602	FEED PLATE PRESSER PLATE	1
3	09-003-1851	针板	MAZ-15501000	GUIDE	1
4	09-004-1851	送料板	MAZ-15502000	PRESSURE PLATE	1
5	09-005-1851	夹钳组件	141-45551	SMALL CLAMP MECHANISM ASM	1
6	09-006-1851	夹钳导板杠杆组件	141-45650	MEDIUM CLAMP MECHANISM ASM	1
7	09-007-1851	夹钳连接板组件	141-45759	LARGE CLAMP MECHANISM ASM	1
8	09-008-1851	夹钳连接板	141-45858	VERY SMALL CLAMP MECHANISM ASM	1
9	09-008.2-1851	套	141-46203	PICK-UP FOOT INSTALLING BASE	2
10	09-009-1851	压脚支承架	141-46104	PICK-UP INSTALLING BASE	2
11	09-027-1851	压脚支承架铰链销	141-41402	INSTALLING SHAFT	1
12	896-07000	开口挡圈	RE-0700000-K0	E-RING	2
13	09-010-1851	夹脚导板	141-46302	PICK-UP FOOT INSTALLING BASE	1
14	09-011-1851	纽扣导板	B2552-372-000	BUTTON CLAMP SLIDE	1
15	09-012-1851	右压脚组件	141-48852	SMALL CLAMP JAW LEVER ASM., R	1
16	09-013-1851	右压脚	MAZ-15507000	SMALL CLAMP JAW LEVER ASM., L	2
17	19-014-1851	压簧片	MAZ-15509000	SPRING, RIGHT	1
18	GB	弹性圆柱销	141-48803	PLATE K, R	1
19	YD-7090410-55	螺钉 9/64-40 L=4	SS-7090410-SP	SCREW 9/64-40 L=4	1
20		轴位螺钉	SS-2060310-SP	SCREW 3/32-56 L=3	1
21	ZD-7060038-55	轴位螺钉	SD-0550301-SP	HINGE SCREW D=5.5 H=3	1
22	ZD-4064040	轴位螺钉	SD-0640391-TP	HINGE SCREW D=6.35 H=3.9	2
23	09-015-1851	左压脚组件	141-48951	SMALL CLAMP JAW LEVER ASM., L	1
24	09-016-1851	左压脚	MAZ-15508000	SMALL CLAMP JAW LEVER, L	1
25	GB	弹性圆柱销	141-48902	PLATE K, L	1
26	YD-7090410-55	螺钉 9/64-40 L=4	SS-7090410-SP	SCREW 9/64-40 L=4	1
27	09-017-1851	压簧片	MAZ-15510000	SPRING, LEFT	1
28	DQ-0501011-PD	垫圈 5×10.5×1	SS-2060310-SP	SCREW 3/32-56 L=3	1
29	09-018-1851	纽扣夹脚弹簧	MAZ-15513000	BUTTON CLAMP JAW LEVER SPRING	1
30	09-019-1851	定位支承架	MAZ-15514000	SUPPORT PLATE	1
31	09-020-1851	中心定位块	MAZ-15515000	SLIDE BLOCK	1
32	09-021-1851	压簧座	141-46401	PRESSUER PLATE	1
33	09-028-1851	中心定位轴	135-40901	STATIONING BLOCK SHAFT	1
34	09-022-1851	限位板	B2548-372-000	SNAP FASTENER CLAMP STOP LEVER	1
35	09-023-1851	螺钉	B2549-372-000	CLAMP SCREW A	1
36	09-024-1851	螺母	B2553-372-000	NUT	1
37	ZD-5054060-55	轴位螺钉	B2560-372-000	BUTTON CLAMP STOP PIN	1
38	896-05000	开口挡圈	D2548-232-D00	SNAP RING, FOR CONNECTING ROD	1
39	YM-6150309-55	螺母 15/64-28	NS-6150310-SP	NUT 15/64-28	1
40	YD-2110510-55	螺钉 11/64-40 L=5.3	SS-9110460-CP	SCREW 11/64-40 L=4	1
41	YD-7110810-55	螺钉 11/64-40 L=7.8	SS-9621413-SP	SCREW 3/16-32 L=13.5	1
42		螺钉 11/64-40 L=5.3	D3130-MIY-C00	FINGER GUARD	
43	YD-2151110-55	螺钉 15/64-28 L=9.5	SS-9151120-CP	SCREW 15/64-28 L=11	1
44	DQ-0612515-PD	挡圈	WP-0612516-SD	WASHER 6.1×15.2×2.5	1
45	09-026-1851	垫圈	138-11906	ACCEPT PLATE, UPPER	1
46	09-029-1851	压簧	138-12003	PRESSURE SPRING	1
47	27-068-783V	压紧调节螺母	B3125-012-000	THREAD TENSION NUT	1
48	09-031-1851	衬套	D2527-232-D00	SLEEVE	1
49	09-032-1851	支承轴	141-46906	ADJUSTING SHAFT	1
50	YD-7110810-55	螺钉	SS-7110840-SP	SCREW 11/64-40 L=7.8	1
51	YD-2110510-55	螺钉	SS-9110543-CP	SCREW 11/64-40 L=5.3	1
52	YD-6151010-55	螺钉	SM-6061202-TP	SCREW M6 L=12	1
53	DQ-0501011-PD	垫圈	WP-0501016-SD	WASHER 5×10.5×1	1
54	DQ-0612515-PD	垫圈	WP-0612516-SD	WASHER 6.1×15.2×2.5	1
55	09-025-1851	抬压脚推板	MAZ-1551600	MOVING PLATE	1
56		橡胶堵	TA-2100904-RO	RUBBER PLUG	1
57	ZD-4052020-55	螺钉	SD-0550181-SP	HINGE SCREW D=5.5 H=1.8	1
58	DQ-0501011-PD	垫圈	WP-0501016-SD	WASHER 5×10.5×1	1
59		小针板	141-49603	NEEDLE HOLE GUIDE	

