

VANAF serial # : 87091 - EV.

Km. copy

GLOBAL

VK 1106 VK 1108 VK 1110

AUTOMATIC KNIFE GRINDING CUTTING MACHINE

INSTRUCTION BOOK AND PARTS LIST



Used sewing machines
Gebrauchsmaschinen
Máquinas usadas
Machines occasion



New sewing machines
Neue Nähmaschinen
Máquinas nuevas
Machines nouveaux



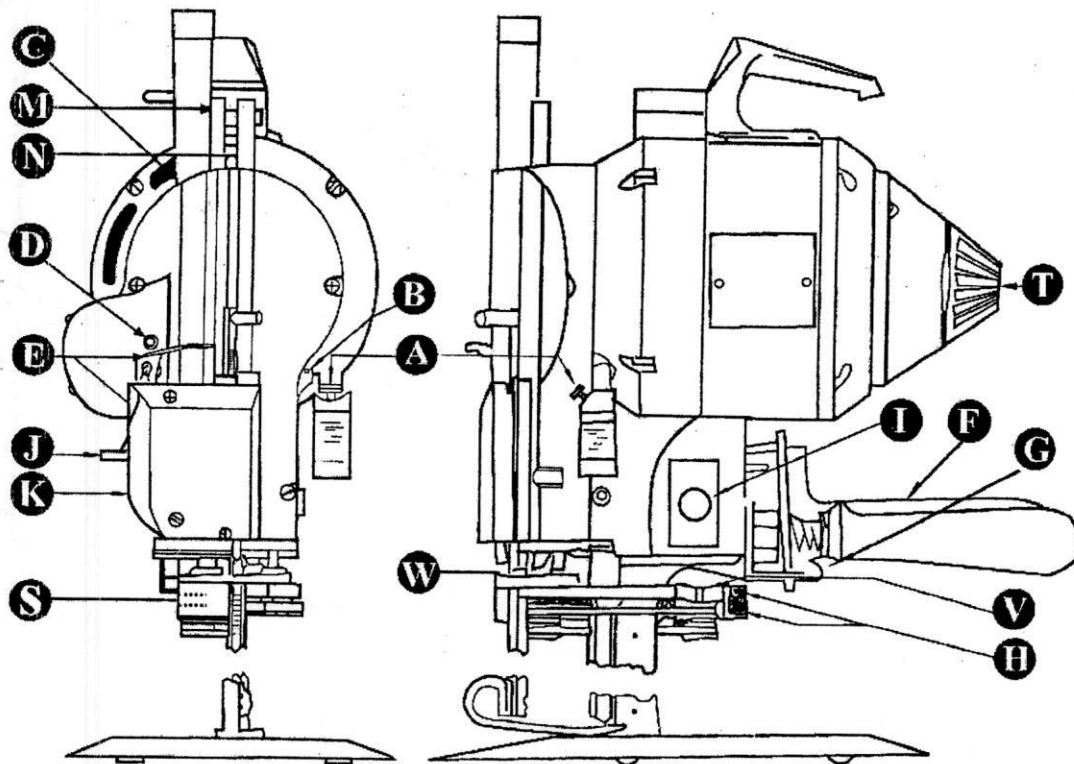
Spare parts for Global machines



European distributor
of HO HSING
motors

WWW.IMCA.NET INFO@IMCA.NET

OPERATION, LUBRICATION AND CARE



BEFORE STARTING

1. Fill oil cup A lubricate a few drops at oil hole B. Push in T and turn the machine by hand for a few revolutions to make sure the oil is spread over contact surface.
2. Make sure sharpener is in locked position. (Driver pulley apart from the crank.)

BE CAREFUL

1. In cold weather, please keep machine in the warm place to avoid the lubricate oil freeze.
2. The motor should be turned on and off a few times before running continuously, This Permits the oil to warm up and flow easily into the closely fit moving parts.
3. Do not use sewing machine oil. Use No.30-50 motor oil.
4. Be sure that in 3-phase machine the direction of rotation is as ARROW-INDICATION on C.

OPERATION

1. To operate the machine, please first connect the plug with power supply socket. Then, while pressing Handle for Safety F (M30602) you switch on switch I.
2. The Presser Rod can be moved upward or downward when you switch off the machine.
3. When you switch on the machine while pressing Handle for Safety F (M30602), the Presser Rod must be locked at a certain position. To move it up or downward, you can just press the Pressure Foot Lever G (M30617).
4. If the Handle for Safety F is released during machine running, the machine will stop automatically, and the Presser

TO SHARPEN THE KNIFE

1. Put the machine away from piles of material.
2. Drop pressure foot by level locked in the lowest position.
3. Press lever E downward with a slow, firm pressure to engage sharpening mechanism. Too fast lever action may cause lever to lock. If this occurs, lift lever J and start over. After a few tries you will feel correct operating pressure.

BE CAREFUL

- Do not operate sharpener without knife in machine or the sharpener will be damaged.
- Do not operate sharpener with cutting material laid in machine.
- Do not shut off motor while sharpener is in motion.

CARE OF MACHINE

1. Use air hose or bellows and blow lint out of motor and sharpener twice a week.
2. Remove cover K and clean out lint once a week.
3. Remove knife and clean knife slide with slot cleaner at least once a day.
4. To prevent undue accumulation of lint, do not oil plate rollers.
5. If rollers stick, remove from plate and wash in cleaning solvent.

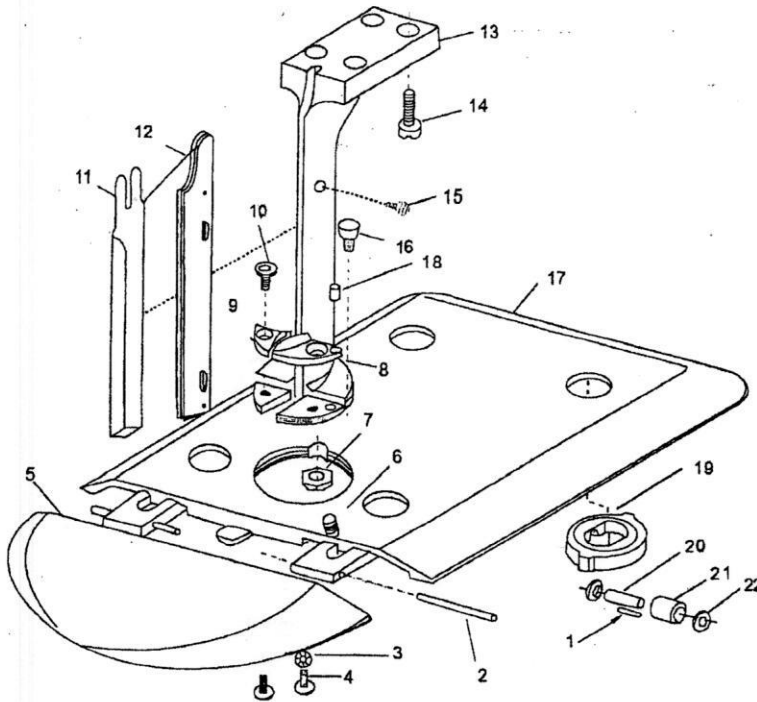
LUBRICATION

	ONCE A WEEK	ONCE A MONTH
Fill oil cup A (always keeping up to red line).	One drop oil to 1. Tubes M & N 2. Pulley Shaft-W 3. Belt pulleys-V & H 4. Idler Gear D	Remove plug at S and insert grease. Remove the cover K, Give Grease on the screw shaft with extension.

TROUBLE, CAUSE, AND REMEDY OF MACHINE

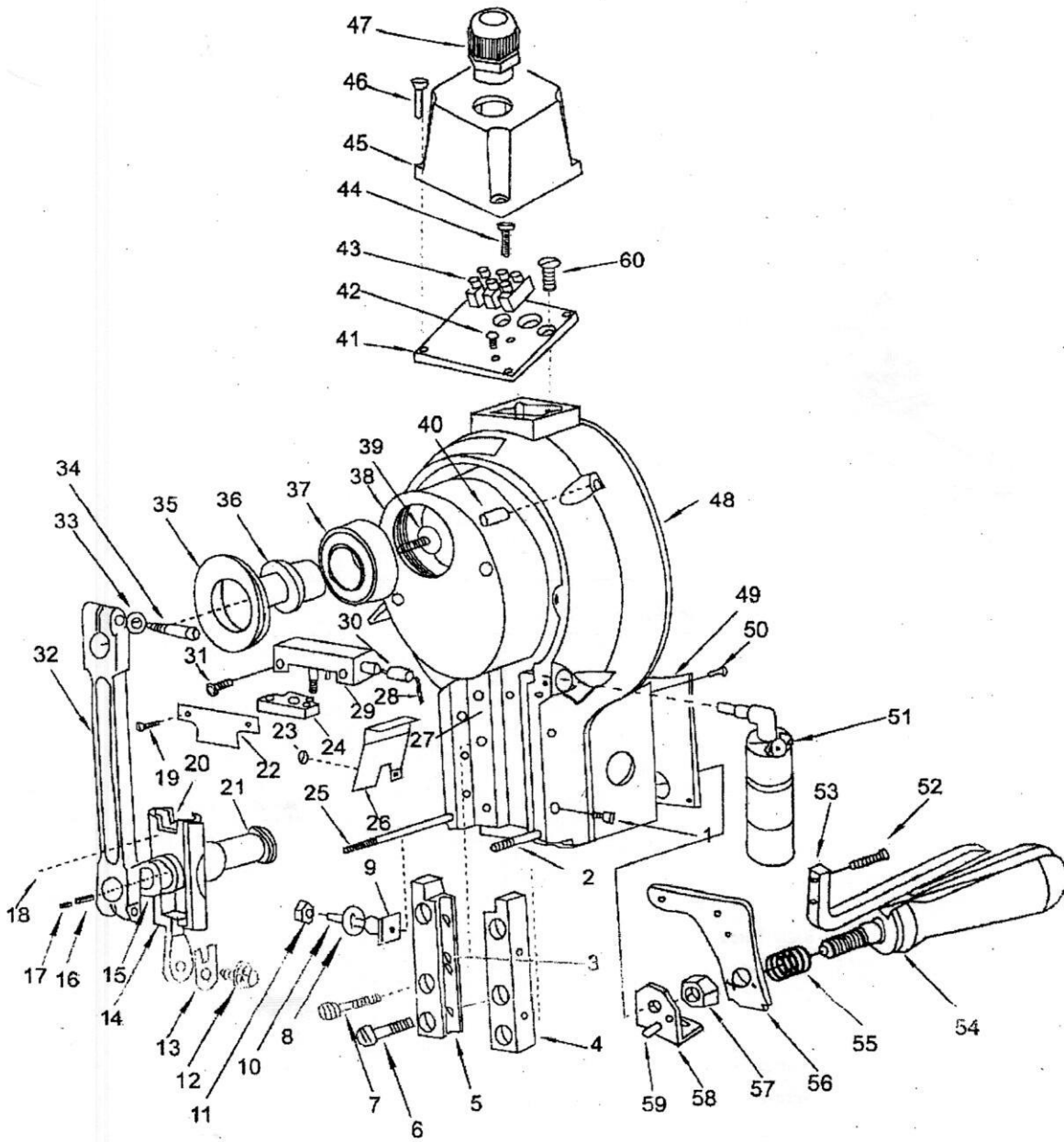
Press release lever, Sharpener does not drive. (1) Driver pulley (M1-5-60) is oiled, clean it please. (2) Driver pulley (M1-5-60) was damaged, change a new one please.	4. Machine can not be running. (1) Check to see that electric supply voltage is normal. (2) Check to see that the electric circuit isn't cut. (3) Check to see that the switch isn't damaged.
Sharpener falls abnormally. The gears in sharpener and screw shaft are not oil. Please insert grease in it.	5. Cutting resistance is big (1) The roller of base plate runs not smooth, Clean off dusts stay at roller inside; (2) Roller rack assy (J6-1-4) damaged, Change a new one please; (3) The blade is blunt, Sharpen the blade.
Knife is not sharp by Sharpening. (1) Belts was damaged, changed a new one please. (2) Knife wear out, change a new one please.	

STANDARD & BASE PLATES



No.	Part. Name	Description	Qt	Note
1	GB309-84	Round Head Rolling, Pin 2×10.8	40	
2	M30104	Hinge Pin	2	
3	GB862. 1-76	Clamp Washer 4	4	
4	DJ14-4-9	Hinge Pin Clamp Screw	4	
5	M30102 ^C _A	Plate Wing	1	160(8") 210(10")
6	J6-1-3	Plate Wing Tension Spring	2	
7	M30106	Plate Nut	1	
8	M3010302	Left Throat plate	1	
9	M3010301	Right Throat plate	1	
10	GB819	Screw M4×10	2	
11	M1-2-10 ^C _A	Knife	1	160(8") 210(10")
12	M3010303 ^C _A	Knife Side	1	160(8") 210(10")
13	M3010304 ^C _A	Standard	1	160(8") 210(10")
14	GB65	Screw M6×20	4	
15	GB65	Screw M3×5	3	160(8")
16	M30107	Spin	4	210(10")
17	M30101 ^C _A	Plate	1	160(8") 210(10")
18	GB119	Pin 4×10	1	
19	J6-1-4	Roller Rack Assy	2	
20	GB309-84	Round Head Rolling Pin 5×19.	4	
21	M30105	Roller	4	
22	GB97. 1	Washer 5	4	
23	M30108	Washer	8	

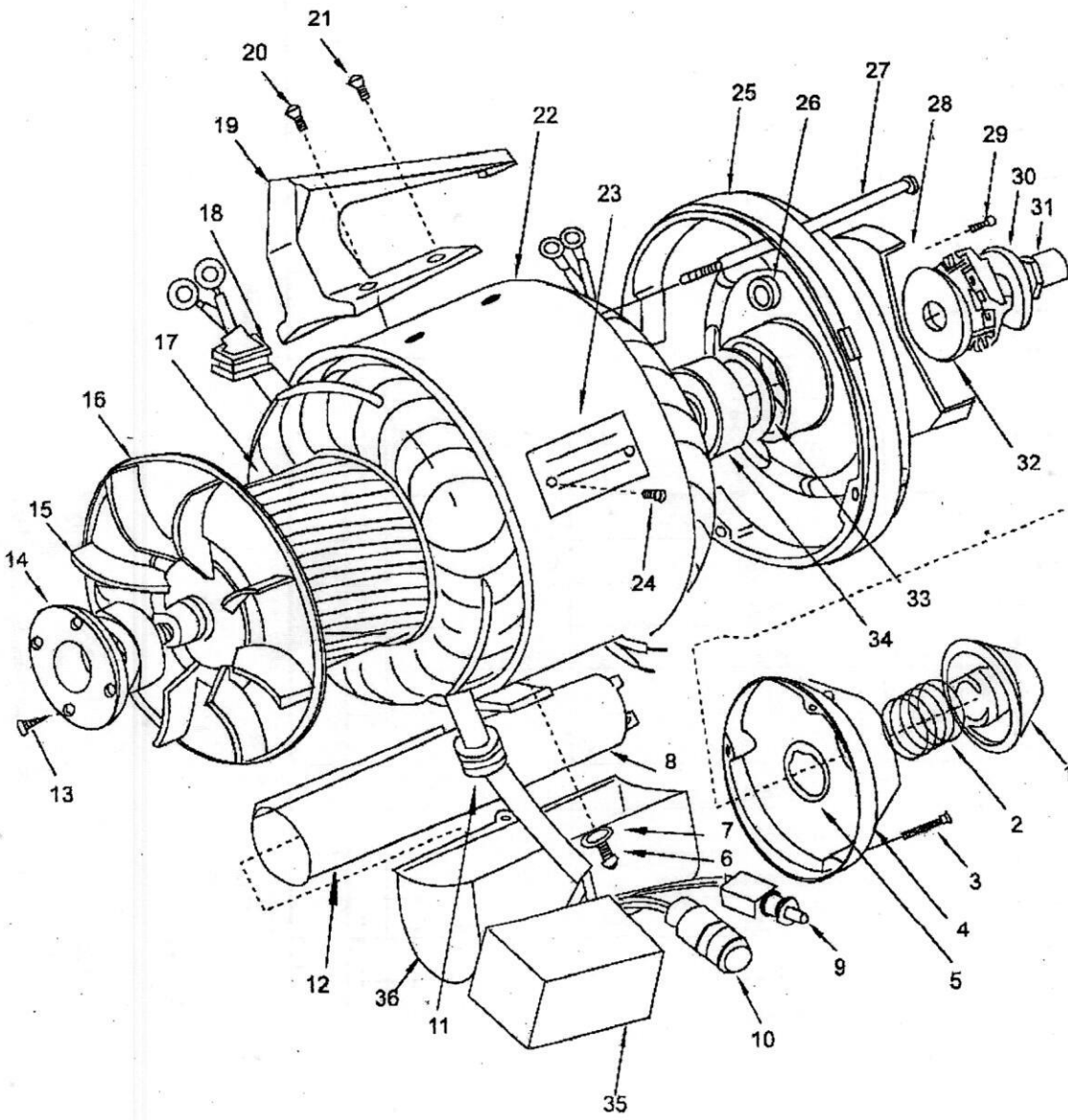
FRONT COVER MECHANISM



No.	Part. Nam	Description	Qt	Note
1	GB70	Screw M4×8	2	
2	M1-0-3	Short Stud	1	
3	M30306	Guide Felt	2	
4	M30316	R.H.Guide	1	
5	M30315	L.H.Guide	1	
6	M30317	Screw	3	
7	M30314	Screw	3	
8	M30327	Washer	3	
9	M30326	Guide Adjusting Nut	3	
10	GB80	Screw M5×20	3	
11	GB6170	Nut M5	3	
12	M30201	Square Screw	1	
13	M30202	Knife Lock Washer	1	
14	M30203	Cross Head	1	
15	M30204	Connecting Rod Washer	1	
16	M30211	Oil Felt	1	
17	M1-6-50	Wrist Pin Plug	1	
18	GB867	Rivets 1.6×9	2	
19	GB818	Screw M2.5×4	2	
20	M30210	Oil Felt	1	
21	M30212	Wrist Pin	1	
22	M30319	Oil Felt	1	
23	GB818	Screw M3×3	2	
24	M30305	Oil Felt	1	
25	M1-0-7	Stud	1	
26	M30325	Oil Guard	1	
27	GB74	Screw M4×5	1	
28	FJ340	Oil Felt 3×180	1	
29	M30321	Oil Pad Holder	1	
30	NG2-775-74	Oil Tube	1	
31	GB818-76	Screw M3×16	2	

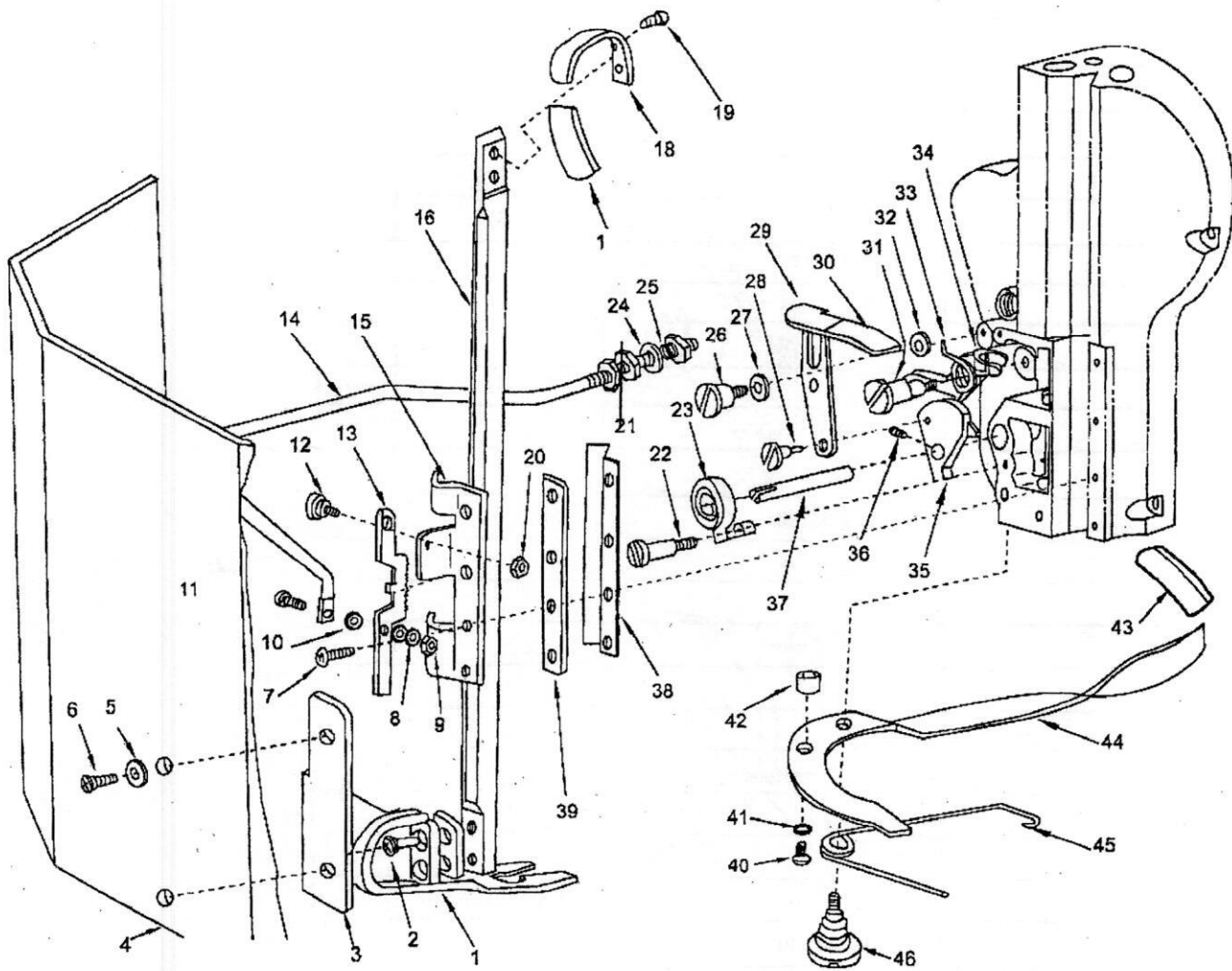
No.	Part. Name	Description	Qt	Note
32	M30205	Connecting Rod	1	
33	GB861.1	Washer 4	2	
34	GB70	Screw M4×16	2	
35	M30207	Bearing Cover	1	
36	M30206	Bearing Shaft	1	
37	GB278	Bearing D80201	1	
38	M30208	Crank	1	
39	M30209	Screw for Brg Shaft	1	
40	M30311	Front for Rear Bearing Nut	4	
41	M30613	Bottom Plate for Socket	1	
42	GB818	Screw 4×6	1	
43		Terminal	1	
44	GB818-76	Screw M3×12	2	
45	M30612	Plug Casing	1	
46	GB818	Screw M4×14	4	
47		Wire Glove	1	
48	M30309	Front Bearing Housing	1	
49	M30618	Switch Cover	1	
50	GB818	Screw M3×5	1	
51		Oil Cup	1	
52	GB70-76	Screw M3×10	2	
53	M30602	Handle for Safety	1	
54	M30605	Operating Handle	1	
55	M30609	Spring	1	
56	M30608	Safety Protection Plate	1	
57	GB6170	Nut M10	1	
58	M30604	Safety Protection Bracket	1	
59	GB879	Pin 4×18	1	
60	GB819	Screw M5×15	2	

MOTOR & HOUSING MECHANISM



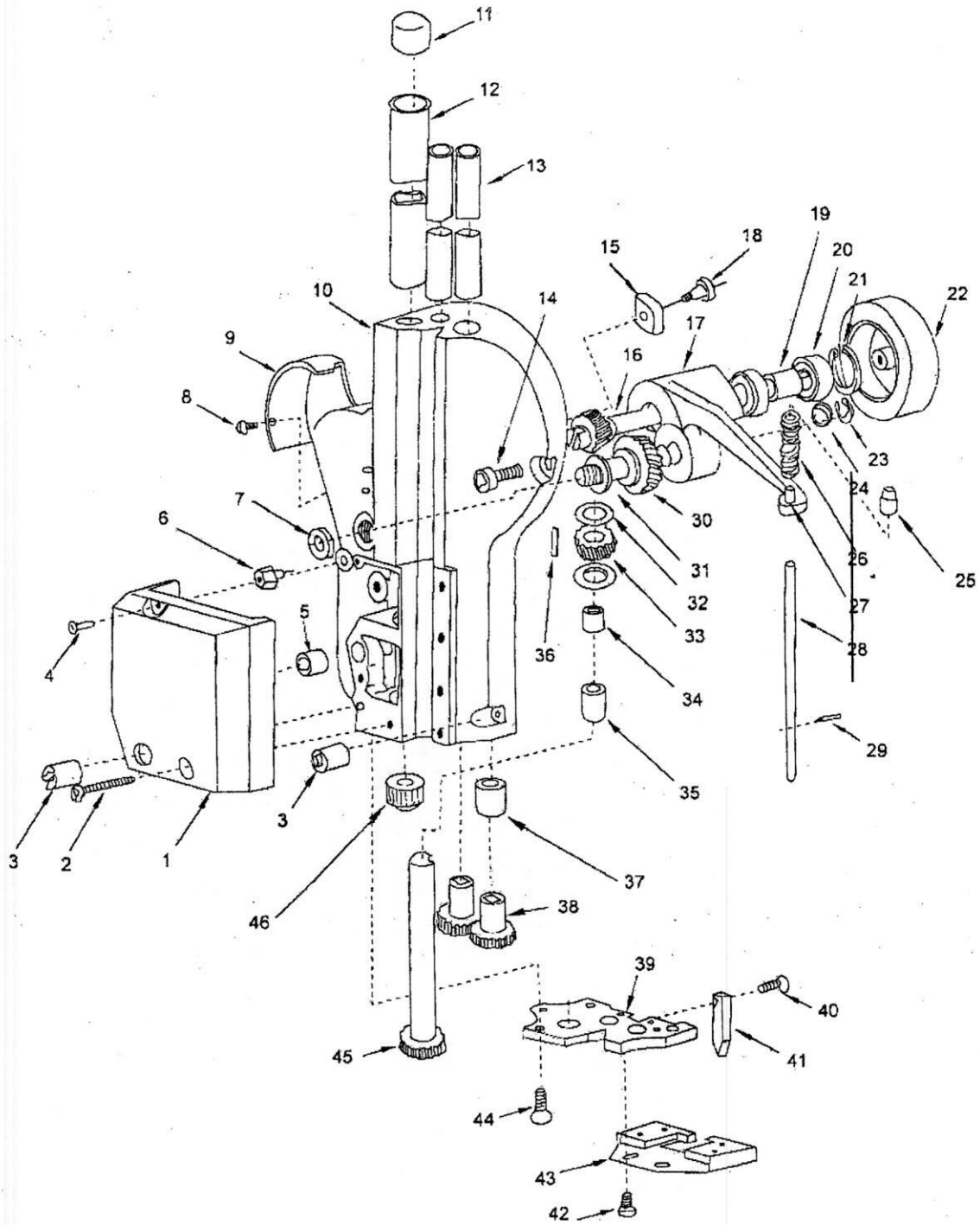
No.	Part. Name	Description	Qt	No
1	M30333	Turning Knob	1	
2	M30334	Clutch Knob	1	
3	GB818	Screw M3×16	3	
4	M30332	Dush Cup	1	
5	M30335	Retaining Ring	1	
6	GB818	Screw M4×6	2	
7	GB859	Washer 4	2	
8	CD60	Capacitor 100 μ F	1	
9	EB2011	Switch	1	
10	A3CT-7011	Switch	1	
11	M30307	Wire Sleeve	1	
12		Wool Fabric	1	
13	GB819	Screw M3×10	4	
14	M30322	Front Bearing Cover	1	
15	GB278	Bearing D80202	1	
16	M30303	Fan	1	
17	M30304	Rotor With Shaft	1	
18	M30301	Wire Sleeve	1	
19	M30310	Carrying Handle	1	
20	GB820	Screw M4×18	2	
21	GB820	Screw M4×16	2	
22	M30302	Capacitor-Stator	1	
23	M30614	Skin Cover	1	
24	GB818	Screw M2.5×4	2	
25	M30330	Rear Bearing Housing	1	
26	M30313	Wire Sleeve	2	
27	M30312	Long Screw	4	
28	M30331	Insulate Cover	1	
29	GB818	Screw M4×10	2	
30	M30337	Cluch Nm	1	
31	M30336	Shaft Lock Nut	1	
32		Automatic Cut-Out Switch	1	
33	M30338	Washer With Wave	2	
34	GB278	Bearing D80201	1	
35	LY4	Relay	1	
36	M30324	Capacitor Cover	1	

SHARPENER HOUSING MECHANISM



No.	Part. Name	Description	Qt	Note
1	M30402	Pressure Foot Shoe	1	
2	GB820	Screw M4×14	2	
3	M30601	Cover Bracket	1	
4	M30608	Cove	1	
5	GB97.1	Washer 4	2	
6	GB818	Screw M4×10	2	
7	GB818	Screw M4×10	4	
8	GB859	Washer 3	1	
9	GB6170	Nut M3	1	
10	GB848	Washer 3	2	
11	GB70-76	Screw M3×10	1	
12	M30409	Shaft for Gear Plate	1	
13	M30603	Gear Plate	1	
14	M30607	Safety Protection Link	1	
15	M30615	Pressure Foot Lock Bracket	1	
16	M30403	Pressure Foot Rod	1	
17	M1-5-26	Pressure Foot Rod Lift Handle Cove	1	
18	M1-5-23	Pressure Foot Rod Lift Handle	1	
19	GB818	Screw M3×5	2	
20	GB6170	Nut M3.5	1	
21	GB6170	Nut M4	4	
22	M1-5-12	Screw for Spring	1	
23	M1-5-11	Spring for Cam	1	
24	GB848	Washer 4	2	
25	M30610	Spring	1	
26	M1-5-19	Screw for Release Lever	1	
27	M1-5-20	Spring Washer	1	
28	M1-5-14	Screw for Cam	1	
29	M1-5-15	Sharpening Lever	1	
30	M1-5-36	Sharpening Lever Lower	1	
31	M1-5-17	Screw Shaft for Latch	1	
32	GB97.1	Washer 5	1	
33	M1-5-18	Spring for Latch	1	
34	M1-5-16	Latch for Cam	1	
35	M1-5-13	Cam	1	
36	GB74	Screw M4×6	1	
37	M1-5-31	Shaft for Cam	1	
38	M1-5-29A	Lower Slider for Pressure Foot Rod	1	
39	M30405	Spacer	1	
40	GB70-76	Screw M3×8	1	
41	GB859	Washer 3	1	
42	M30616	Retainer	1	
43	M1-5-32	Pressure Foot Lever Cover	1	
44	M30617	Pressure Foot Lever	1	
45	M1-5-4	Pressure Foot Lever Spring	1	
46	M30407	Pressure Foot Lever Screw	1	

SHARPENER HOUSING MECHANISM



No.	Part. Name	Description	Qt	Note
1	M1-5-1	Cam Cover	1	
2	GB820	Screw M4×20	1	
3	M1-0-5	Nut	2	
4	GB818	Screw M4×10	1	
5	M1-6-37	Bearing for Cam Shaft	2	
6	M1-5-35	Hexagon-headed Screw	1	
7	M1-5-55	Hexagon-headed Nut	1	
8	GB818	Screw M3×6	2	
9	M30401	Cover for Diver Pulley	1	
10	M1-5-2	Sharpener Housing	1	
11	M1-5-25	Cap for Tube	1	
12	M2-4-35	Tube for Driving	1	160(8°) 210(10°)
13	M2-4-15	Tube for Square Shaft	2	160(8°) 210(10°)
14	GB818	Screw M5×14	2	
15	M1-5-30	Felt Pad	1	
16	M1-5-54	Gear and Shaft	1	
17	M1-5-49	Bell Crank	1	
18	M1-5-28	Screw Shaft	1	
19	M1-5-59	Washer for Bearing	1	
20	GB278	Bearing D80018	2	
21	GB893. 1	Lock Ring22	1	
22	M1-5-60	Driver Pulley	1	
23	GB896	Lock Ring 6	1	
24	M1-5-58	Washer	1	
25	M1-5-52	Spring Pin	1	
26	M1-5-51	Spring	1	
27	M1-5-49. 2	Pin for bell Crank	1	
28	M1-5-47	Push Rod	1	
29	GB879	Pin 1.5×10	1	
30	M1-5-57	Idler Gear	1	
31	M1-5-56	Shaft for Idler Gear	1	
32	M1-5-44	Washer	2	
33	M1-5-45	Spiral Gear	1	
34	M1-5-43	Bearing for Drive Shaft	2	
35	M1-5-41	Bearing for Drive Shaft	1	
36	M1-5-46	Key	1	
37	M1-5-40	Bearing for Gear	2	
38	M1-5-39	Spur Gears	2	
39	M30408	Bottom Plate	1	
40	GB819	Screw M3.5×12	1	
41	M1-5-38	Spreader Pin	1	
42	GB818	Screw M4×6	2	
43	M1-5-61	Oil Pad and Holder	1	
44	GB819	Screw M4×12	3	
45	M1-5-42	Driver Shaft with Gear	1	
46	M1-5-10	Bearing for Screw Shaft	1	

No.	Code Name	Description	qt	Note
1	M1-6-53	Thrust Ball Bearing	2	
2	M1-6-24	Nut for Screw Shaft R.H.	1	
3	M1-6-23	Nut for Screw Shaft L.H.	1	
4	M1-6-51	Washer for Screw Shaft L.H.	1	
5	M2-5-4 E A	Spacer Tube	1	
6	M1-6-22	Stop Nut for Screw Shaft	1	
7	M1-6-18	Left Hand Follower Nut	1	
8	M1-6-19	Right Hand Follower Nut	1	
9	M30506 E C A H	L.H. Square Shaft	1	
10	M30507 E C A H	R.H. Square Shaft	1	
11	M2-5-3 E C A H	Screw Shaft for Extension	1	
12	GB 818	Screw M4 x 8	2	
13	M1-6-521	Washer 4	2	
14	M1-6-2 A H	Guide Back of Standard	1	
15	M30508	Lower Shaft for R.H. Square Shaft	1	
16	GB5783	Screw M4 x 10	1	
17	GB6172	Nut M4	1	
18	GB818	Screw M3 x 7	4	
19	GB65-76	Screw M3 x 6	4	
20	M1-6-3	Stablizer	2	
21	GB672	Nut for Sharpener Shoe	2	
22	M1-6-4	L.H. Slider with Pulley	1	
23	GB818	Screw M3 x 3	2	
24	M1-6-5	R.H. Slide with Pulley	1	
25	M1-6-9	Spring for Pulley Slide	2	
26	GB670	Nut M4	1	
27	GB80	Screw M4 x 8	1	
28	M1-6-45A	L.H. Shoe	1	
29	GB80	Screw M4 x 8	1	
30	M1-6-14	Spring for Arm	1	
31	M1-6-48	Abrasive Belts	2	

No.	Code Name	Description	qt	Note
32	M1-6-46A	R.H. Shoe	1	
33	M1-6-42	Bushing for Shoe	2	
34	M1-6-43	Screw for Sharpener Shoe	2	
35	M1-6-47	R.H. Sharpener Shoe Spring	1	
36	M1-6-44	L.H. Sharpener Shoe Spring	1	
37	M30503	Clamping Arm for Shoe	1	
38	M30502	Screw for Clamping Arm	1	
39	M1-6-41	Neoprene Band	2	
40	GB 309	Roll Pin 1.5 x 10.8	2	
41	M1-6-40	Front Pulley for Blets	2	
42	GB 879	Pin 1.5 x 10	1	
43	M1-6-39	Collar for Lower Screw Shaft	1	
44	M1-6-38	Bearing for shaft Extension	2	
45	M1-6-36	Bearing for Screw Shaft	1	
46	M1-6-37	Bearing for Intermediate Gear	1	
47	M1-6-2	Lower Gear Bracket	1	
48	M1-6-54	Grease Plate	1	
49	M1-6-50	Grease Pulg	1	
50	M1-6-35	Gear on Screw Shaft	1	
51	M1-6-33	Intermediate Gear	1	
52	M1-6-1	Lower Gear Bracket Gear Cover	1	
53	M30509	Gear Shaft for L.H. Square Shaft	1	
54	GB818	Screw M4 x 14	3	
55	M1-6-32	L.H. Square Shaft Washer	1	
56	M1-6-34	Washer for Extension	1	