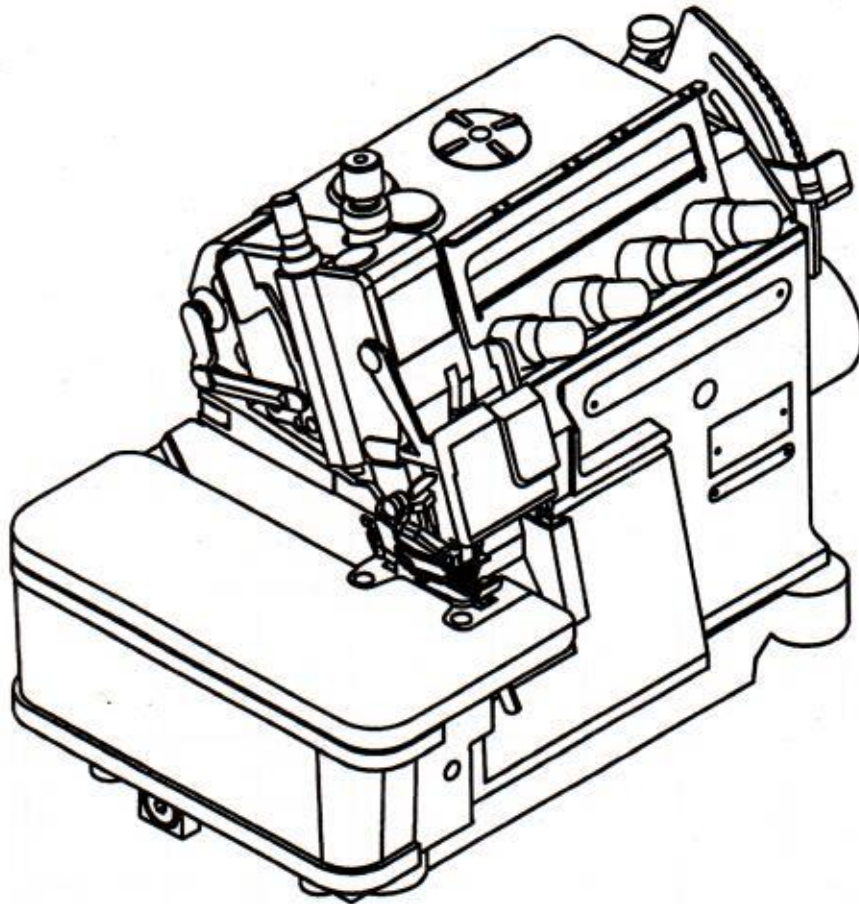


# GLOBAL

Vel. Ver1.0 2014.03

NO. OVT 534-1-03-03

## ILLUSTRATED PARTS LIST



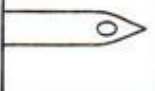
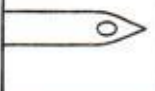

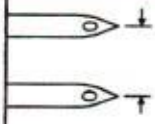
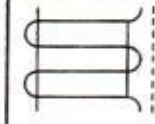
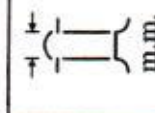

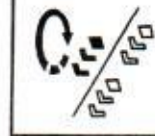


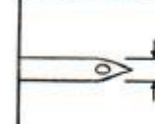
### MODELS & DEVICES

---

OVT 534      OVT 535  
OVT 534 DD    OVT 535 DD  
SS-US-MN

**GLOBALSEW.COM**

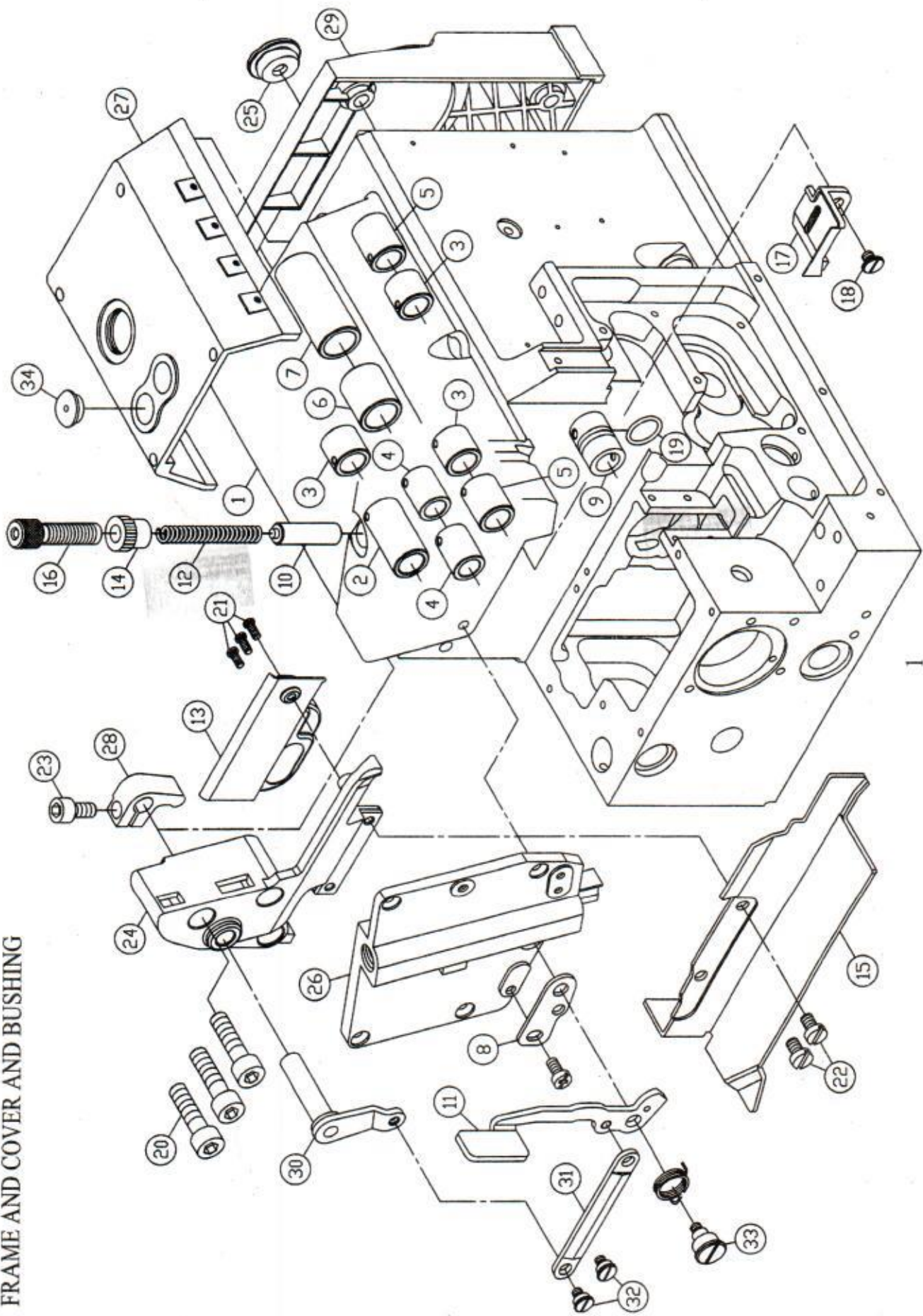
# OVT 530 SUBCLASS SPECIFICATIONS

Application	Subclass											
		Number Of Needles	Number Of Threads	Needle Distance (mm)	Overedge Width (mm)	Stitch Length Max (mm)	Diff. Feed Ratio	Flat Bed Top Feed Diff. Feed Ratio	Presserfoot Lift	Max Speed (s.p.m)	Needle Size	
Flat Bed Top Feed Plain Seaming	OVT 534-240	2	4	2.2	4   6	3.8	0.7~2	0.8~2	5.5	6500	DC*27#11	
Flat Bed Top Feed Safety	OVT 535-550	2	5	5	5   10	3.8	0.7~2	0.8~2	6	6000	DC*27#11	
Flat Bed Top Feed Heavy Material Overlock	OVT 535-558	2	5	5	5   10	4.5	0.6~1.6	0.8~2	8	5500	DC*27#19	
Flat Bed Top Feed Plain Seaming	OVT 534-240 DD	2	4	2.2	4   6	3.8	0.7~2	0.8~2	5.5	6500	DC*27#11	
Flat Bed Top Feed Safety	OVT 535-550 DD	2	5	5	5   10	3.8	0.7~2	0.8~2	6	6000	DC*27#11	
Flat Bed Top Feed Heavy Material Overlock	OVT 535-558 DD	2	5	5	5   10	4.5	0.6~1.6	0.8~2	8	5500	DC*27#19	

# TABLE OF CONTENTS

1 . Frame And Cover And Bushing -----	1
2 . Top Feed Dog Feed Mechanism Components -----	3
3 . Top Presser Foot Components -----	5
4 . Lubrication And Cooling Mechanism -----	7
SS . Side Suction Type (SS037) -----	9
US . Under Suction Type (US041) -----	11
MN . Liner - Motor (MN025, MN026, MN027) -----	13~18
Appendix 1- Series Gauge Parts List -----	App-1

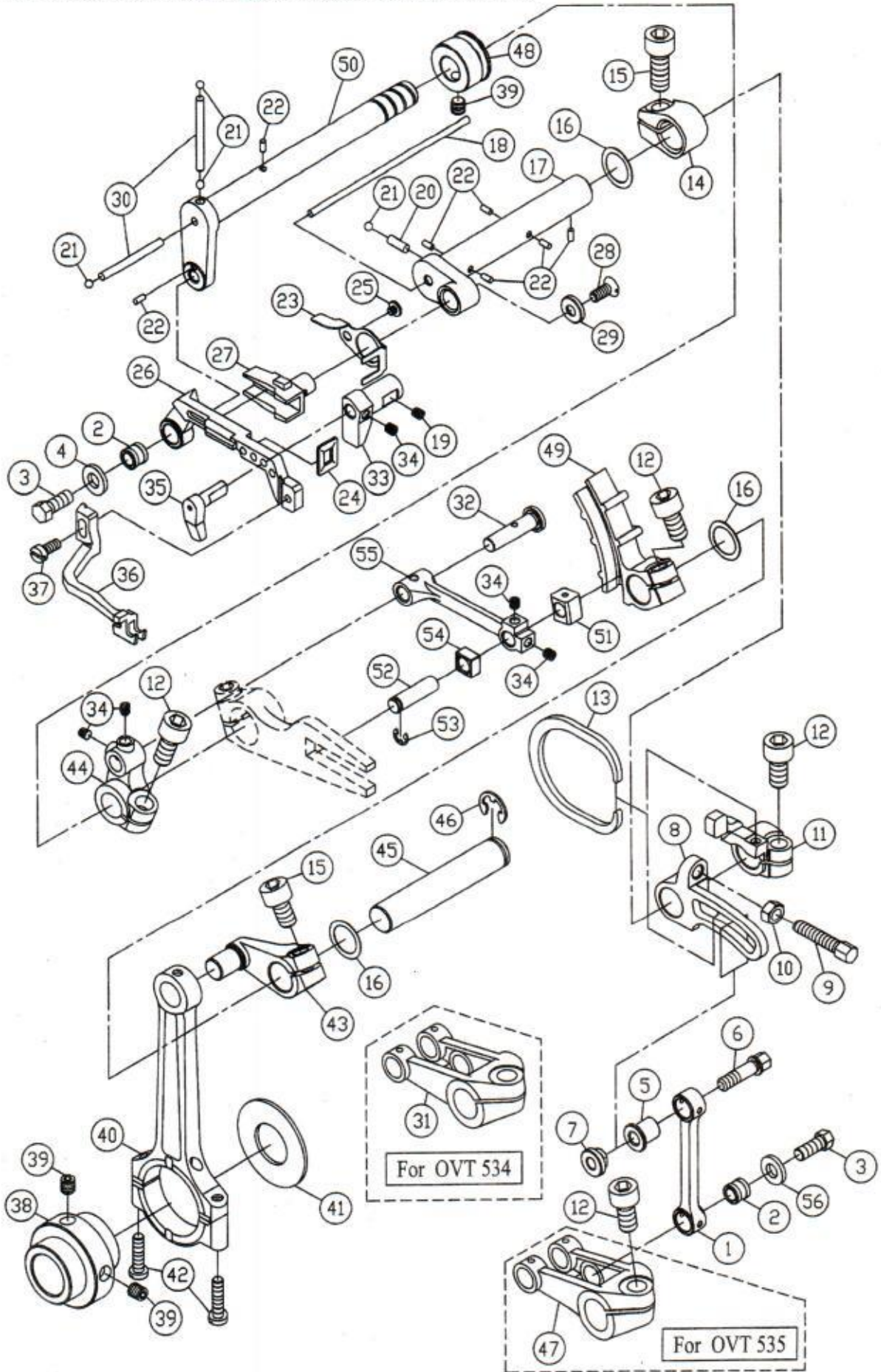
1. FRAME AND COVER AND BUSHING



## 1. Frame And Cover And Bushing

Ref. No.	Parts No.	Description	Amt. Req.
1	2122000101	Framee	1
2	2120000204	Bushing	1
3	2130000206	Bushing	3
4	2120000212	Bushing	2
5	2120000205	Bushing	2
6	2122000106	Bushing	1
7	2122000107	Bushing	1
8	2122000108	Stopper	1
9	2122000109	Bushing	1
10	2122000110	Presser Bar	1
11	2122000111	Lever	1
12	2122000112	Spring	1
13	2122000113	Cover	1
14	2122000114	Nut	1
15	2122000115	Fabric Guard	1
16	2122000116	Adjusting Screw	1
17	2122000117	Cover	1
18	8MB04280711E	Screw	1
19	2120000608	O-Ring	1
20	8MM06402510A	Screw	3
21	8MB03200305A	Screw	3
22	8MC95300708A	Screw	2
23	8MM05321209A	Screw	1
24	2130000149	Bracket	1
25	21200001121	Plug	1
26	2122000126	Side Cover	1
27	2122000127	Top Cover	1
28	2122000128	Collar	1
29	2122000129	Belt Cover	1
30	2122000130	Lever	1
31	2122000131	Link	1
32	8MB04280408G	Screw	2
33	8MB04281412E	Screw	1
34	2120000210	Plug	1

## 2. TOP FEED DOG FEED MECHANISM COMPONENTS

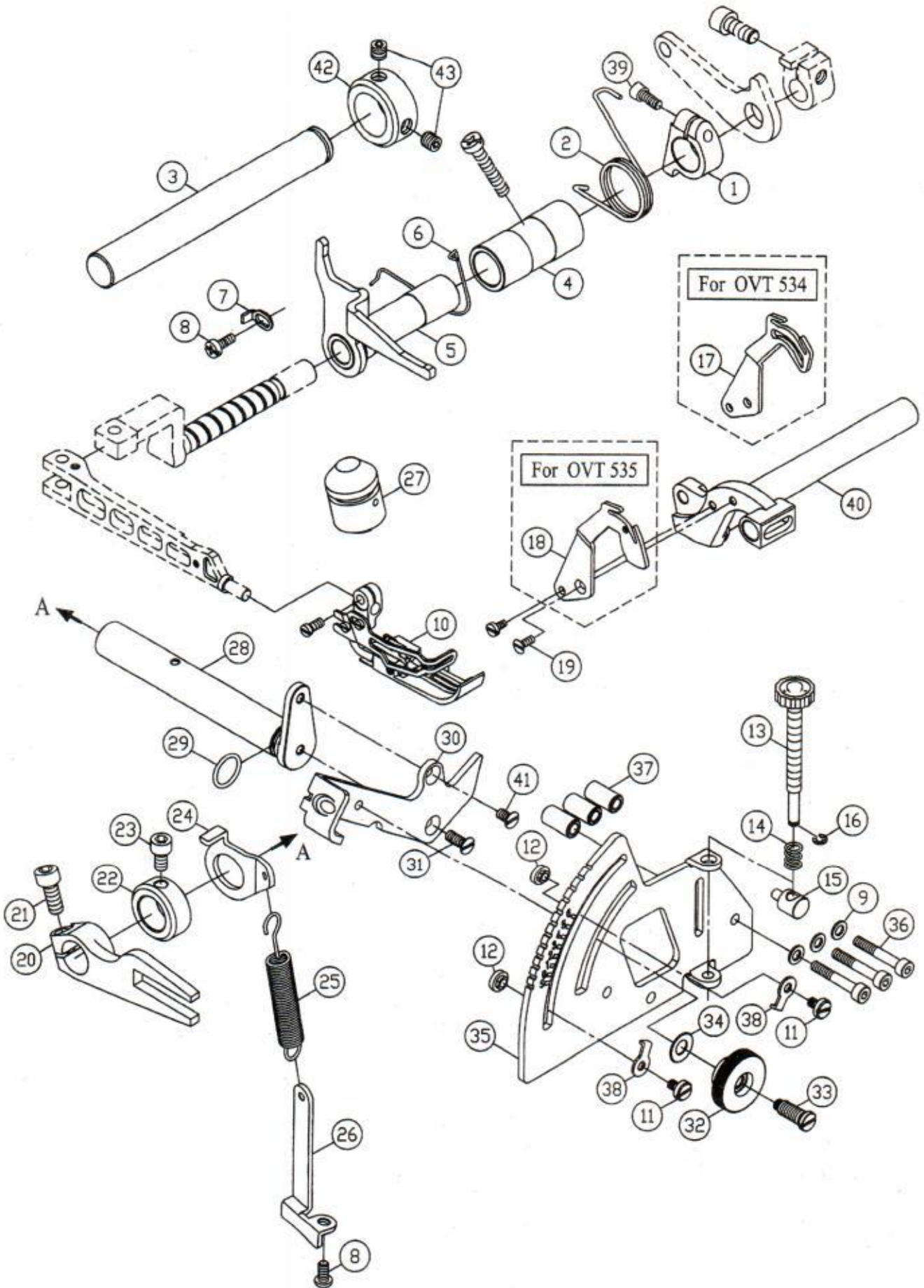


## 2. Top Feed Dog Feed Mechanism Components

Ref. No.	Parts No.	Description	Amt. Req.
1	2122000201	Upper Kniferod	1
2	2120000526	Bushing	2
3	8MK05201307G	Screw	2
4	2120000527	Washer	1
5	2122000205	Bushing	1
6	8MK05201808A	Screw	1
7	2122000207	Collar	1
8	2122000208	Crank	1
9	8MK06402306G	Screw	1
10	8MA06400408A	Nut	1
11	2122000211	Collar	1
12	8MM06401210A	Screw	4
13	2122000213	C-Ring	1
14	21220002141	Collar	1
15	8MM06401410A	Screw	2
16	2120000615	Washer	3
17	2122000217	Crank	1
18	66800	Oil Wick	1
19	8MN04280600A	Screw	1
20	66801-2	Oil Wick	1
21	2100000403	Plug	4
22	66801	Oil Wick	7
23	2122000223	Spring	1
24	2122000224	Oil Seal	1
25	8MB03200306A	Screw	1
26	2122000226	Top Feed Bar	1
27	2122000227	Pin	1
28	8MQ04280808A	Screw	1
29	2122000229	Washer	1
30	66801-1	Oil Wick	2
31	2140000247	Crank	1
32	2122000232	Pin	1
33	2122000233	Guide	1
34	8MN04280400A	Screw	5
35	2122000235	Guide	1
36	*****	Top Feed Dog	1
37	8MB85240806A	Screw	1
38	2122000238	Eccentric	1
39	8MN05320500E	Screw	3
40	2122000240	Upper Kniferod	1
41	2122000241	Spacer	1
42	8MC04281807D	Screw	2
43	2122000243	Crank	1
44	2122000244	Crank	1
45	2122000245	Shaft	1
46	90ER080	E-Ring	1
47	2122000247	Crank	1
48	2122000248	Collar	1
49	2122000249	Differential Feed Roker	1
50	2122000250	Crankshaft	1
51	2122000251	Block	1
52	2122000252	Pin	1
53	90ER040	E-Ring	1
54	2122000254	Block	1
55	2122000255	Crank	1
56	2120000527	Washer	1

\*\*\*\*\* is one of the gauge parts

### 3. TOP PRESSER FOOT COMPONENTS



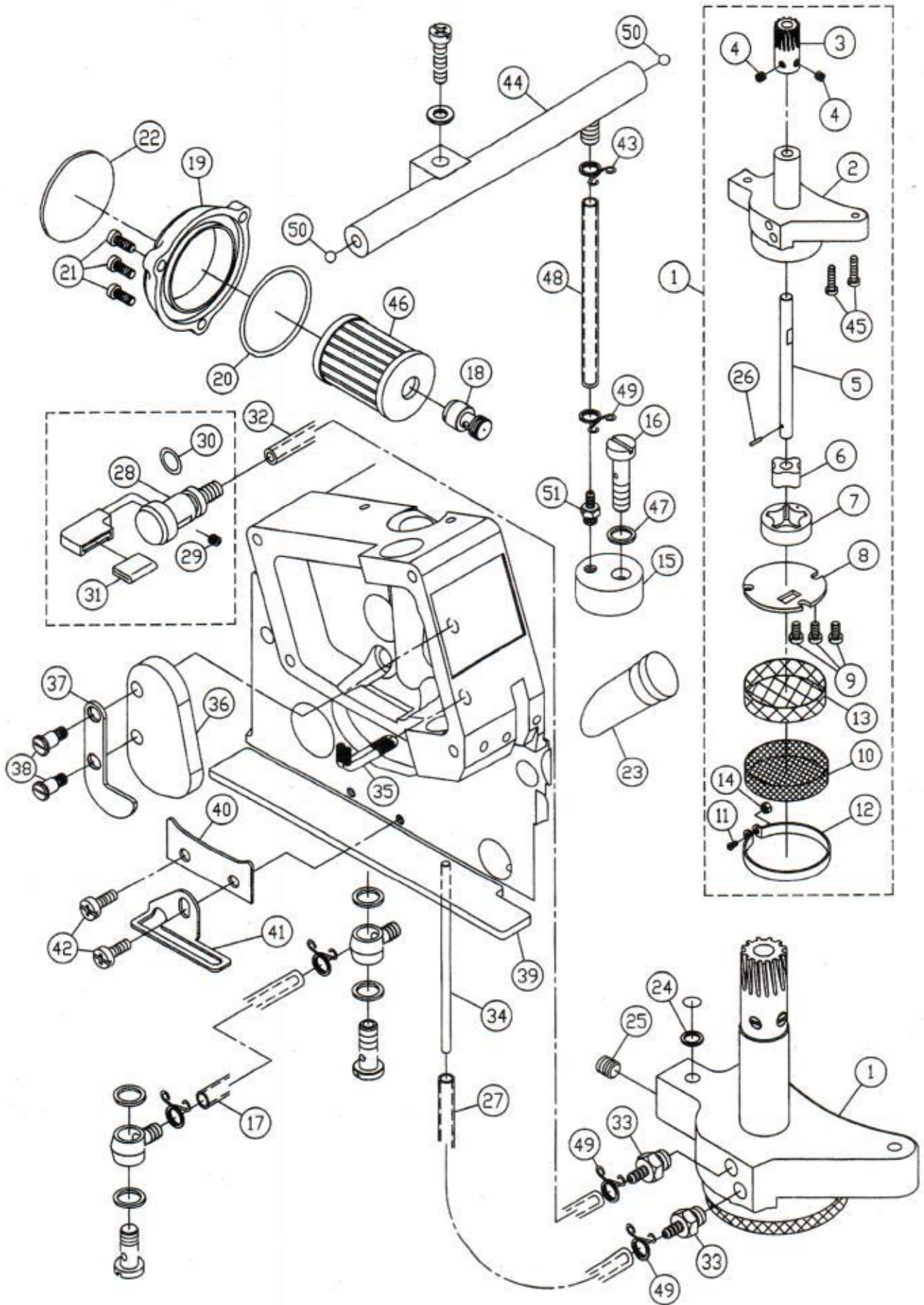


### 3. Top Presser Foot Components

Ref. No.	Parts No.	Description	Amt. Req.
1	2122000301	Collar	1
2	2122000302	Spring	1
3	2122000303	Shaft	1
4	21220003041	Bushing	1
5	21220003051	Lever	1
6	2122000306	Spring	1
7	2122000307	Stopper	1
8	8MC04280607D	Screw	2
9	2100000223	Washer	3
10	*****	Top Presser Foot Asm.	1
11	8SC36400608A	Screw	2
12	2100000648	Nut	2
13	2120000949	Adjusting Screw	1
14	2120000951	Spring	1
15	2120000952	Pin	1
16	90ER030	Ring	1
17	2122000317	Thread Takeup	1
18	2122000318	Thread Takeup	1
19	8ME03200706A	Screw	1
20	2122000320	Differential Feed Roker	1
21	8MM06401410A	Screw	1
22	2122000322	Collar	1
23	8MM06401210A	Screw	1
24	2122000324	Spacer	1
25	2122000325	Spring	1
26	2122000326	Latch	1
27	2121001504	Bushing	1
28	2122000328	Shaft	1
29	2120000608	O-Ring	1
30	2122000330	Lever	1
31	8ME04281008A	Screw	1
32	2122000332	Nut	1
33	8MB06301608Q	Screw	1
34	2120000953	Washer	1
35	2122000335	Blade Guide	1
36	8MM04282507B	Screw	3
37	2122000337	Spacer	3
38	2100000646	Washer	2
39	8MM05321409A	Screw	1
40	2130000701	Upper Knife Shaft	1
41	8ME04280507A	Screw	1
42	2130000613	Collar	1
43	8MN03200300A	Screw	2

\*\*\*\*\* is one of the gauge parts

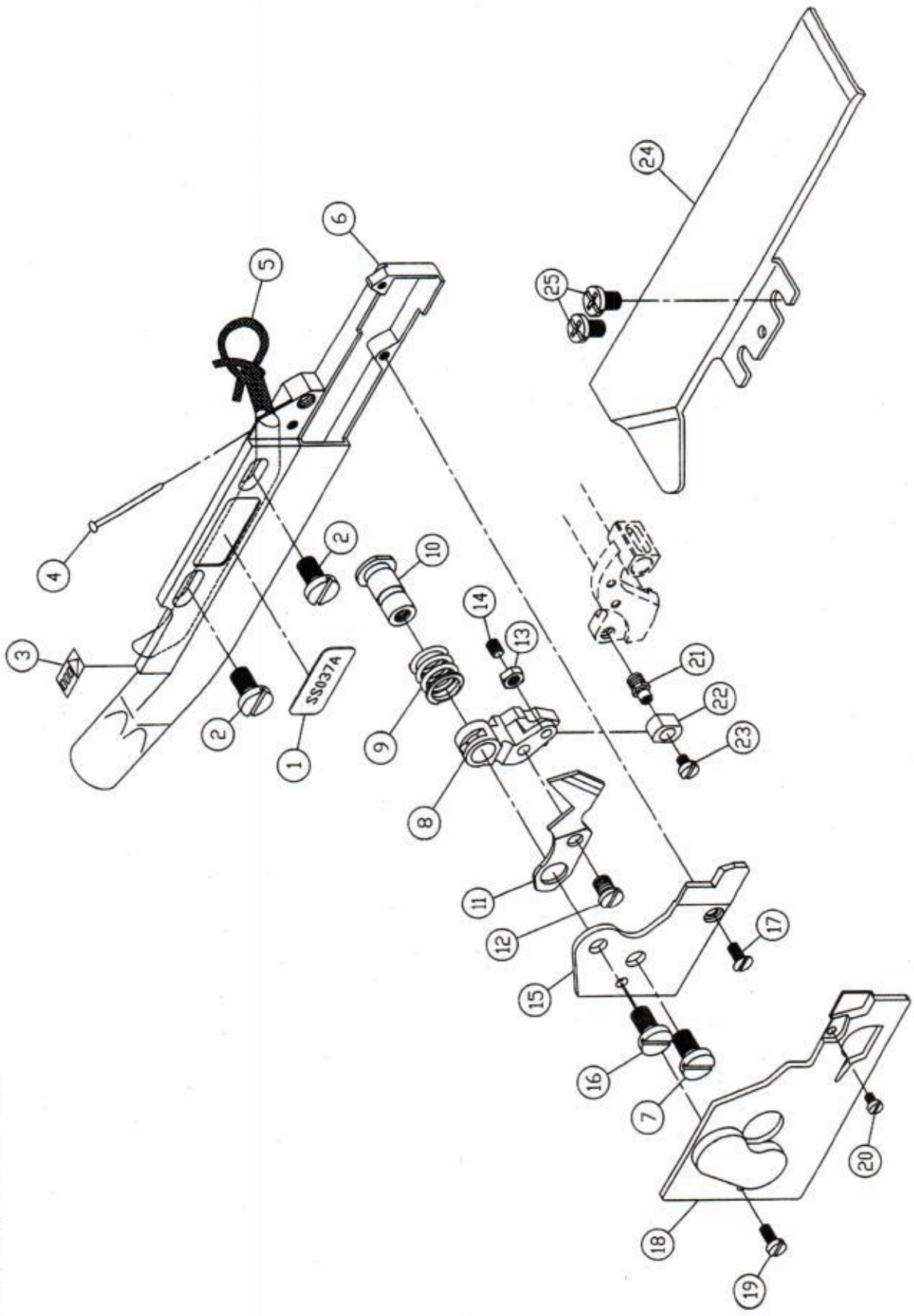
# 4. LUBRICATION AND COOLING MECHANISM



#### 4. Lubrication And Cooling Mechanism

Ref. No.	Parts No.	Description	Amt. Req.
1	213A0001202	Pump Asm.	1
2	2130001202	Pump Seat	1
3	2120001203	Worm Gear	1
4	8MN05320400A	Screw	2
5	2120001205	Shaft	1
6	2120001206	Inside Rotor	1
7	2120001207	Outside Rotor	1
8	2130001208	Cover	1
9	8MB85240605A	Screw	3
10	2130001210	Filter	1
11	8MB03200806K	Screw	1
12	2130001212	Latch	1
13	2130001213	Oil Grid	1
14	8MA03200306A	Nut	1
15	2122000415	Oil Distributor	1
16	2120001220	Screw	1
17	2122000417	Oil Tube	1
18	2130001265	Oil Tube Joint	1
19	22000013111	Cover	1
20	2200001313	O-Ring	1
21	8MC04280807A	Screw	3
22	66453-6	Name Plate	1
23	2130001238	Oil Sight Gauge	1
24	90OR060	O-Ring	1
25	8MN06400800A	Screw	1
26	90SP0210	Spring Pin	1
27	2122000427	Oil Tube	1
28	2122000428	Felt Housing	1
29	8MN04280400A	Screw	1
30	90OR070	O-Ring	1
31	2120001270	Felt	1
32	2122000432	Oil Tube	1
33	2130001249	Oil Tube Joint	2
34	2122000434	Oil Tube	1
35	2122000435	Felt	1
36	2122000436	Felt	1
37	2122000437	Spacer	1
38	8MB04281007G	Screw	2
39	2122000439	Felt	1
40	2122000440	Cover	1
41	2122000441	Spacer	1
42	8MC04280607D	Screw	2
43	2100001536	Snap Ring	1
44	2130001224	Oil Distributor	1
45	8MC04281607D	Screw	2
46	2100001521	Cartridge Filter	1
47	2100001534	Washer	1
48	2122000448	Oil Tube	1
49	2260001320	Snap Ring	3
50	2120001264	Plug	2
51	2100001505	Oil Tube Joint	1

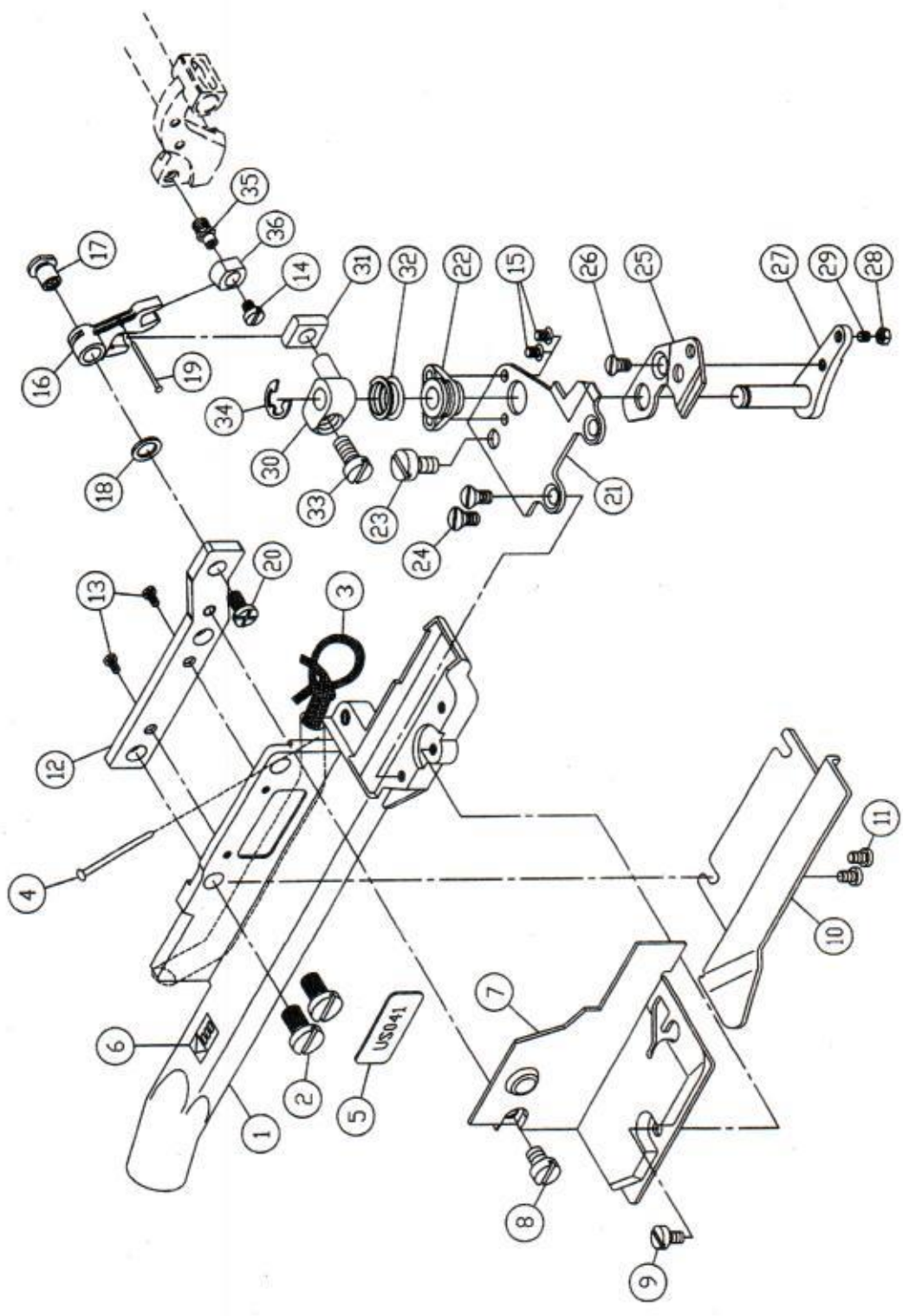
SS037 SIDE SUCTION TYPE



## SS037 Side Suction Type

Ref. No.	Parts No.	Description	Amt. Req.
1	4SS0370101	Name Plate	1
2	8MC95300808E	Screw	2
3	66453-8	Label	1
4	4SS0330104	Pin	1
5	4SS0330105	Oil Wick	1
6	4SS0340101	Knife Mounting Base	1
7	8MB95401008A	Screw	1
8	4SS0350108	Driving Lever	1
9	4SS0330109	Spring	1
10	4SS0330110	Stud	1
11	4SS0350111	Movable Knife	1
12	8MB85240606A	Screw	1
13	8MA03200206A	Nut	1
14	8MN03200400A	Screw	1
15	4SS0330115	Fixed Knife	1
16	8MB95301008A	Screw	1
17	8ME75180504A	Screw	1
18	4SS0350118	Cover	1
19	8MB75180605A	Screw	1
20	8MB02160304A	Screw	1
21	2120000702	Pin	1
22	4SS0330122	Slide Block	1
23	8MB75180305K	Screw	1
24	4SS0330124	Fabric Guard	1
25	8MC04280608D	Screw	2

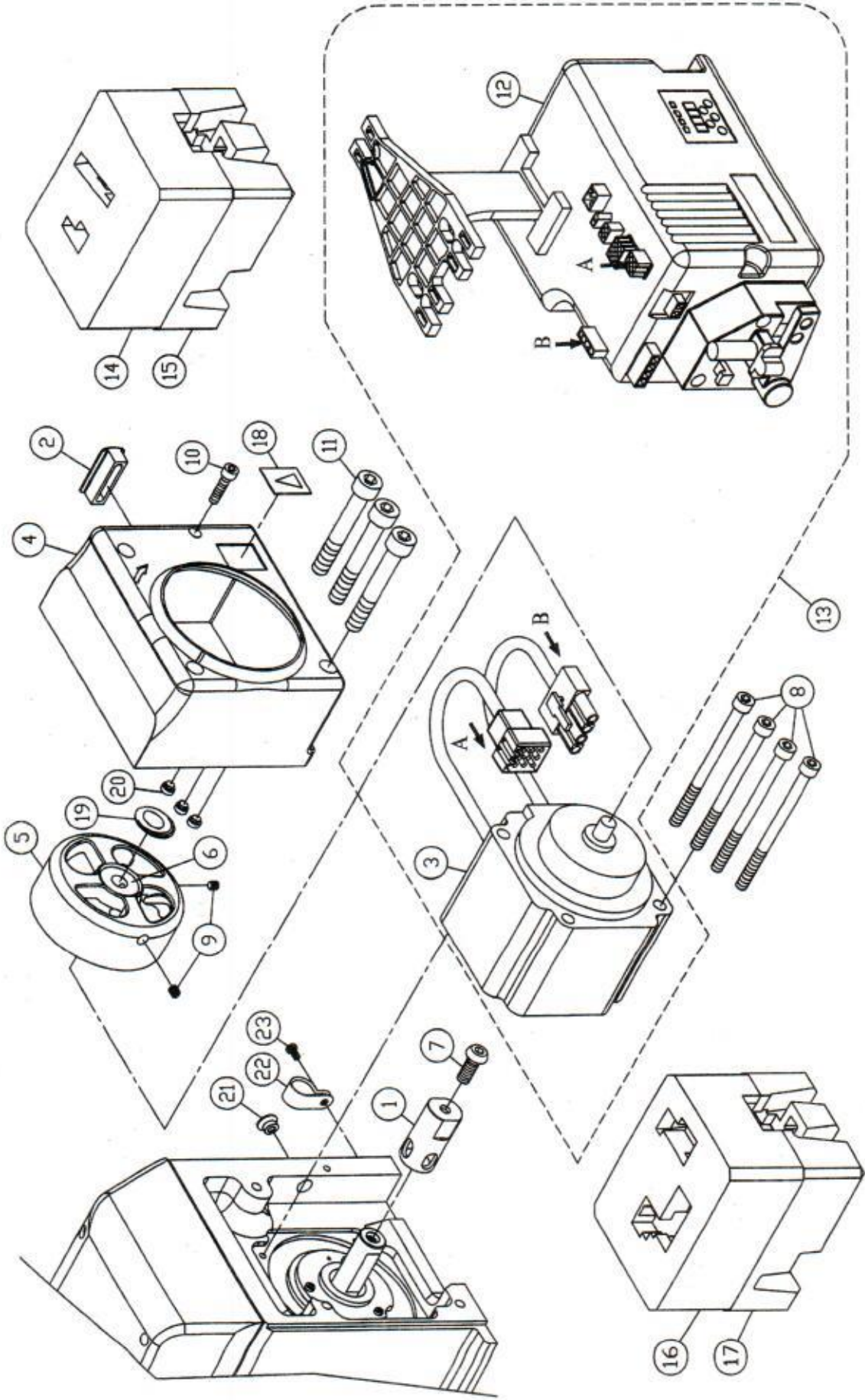
US041 UNDER SUCTION TYPE



**US041 Under Suction Type**

<b>Ref. No.</b>	<b>Parts No.</b>	<b>Description</b>	<b>Amt. Req.</b>
1	4US0410101	Knife Mounting Base	1
2	8MC95300808E	Screw	2
3	4US0400103	Oil Wick	1
4	4US0400104	Pin	1
5	4US0410105	Name Plate	1
6	66453-8	Oil Mark	1
7	4US0410107	Cover	1
8	8MB03200406A	Screw	1
9	8MB03200405A	Screw	1
10	4US0400110	Cover	1
11	8MB03200305A	Screw	2
12	4US0410112	Bracket	1
13	8MB75180305K	Screw	2
14	8MB75180805A	Screw	1
15	8ME02160403A	Screw	2
16	4US0410116	Arm	1
17	4US0410117	Bush	1
18	2200001025	Washer	1
19	4US0400119	Pin	1
20	8MB95301008A	Screw	1
21	4US0400121	Upper Knife	1
22	4US0400122	Bush	1
23	8MB04280507K	Screw	1
24	8ME03200406A	Screw	2
25	4US0400125	Lower Knife	1
26	8ME03200406A	Screw	1
27	4US0400127	Level	1
28	8MA03200206A	Nut	1
29	8MN03200400A	Screw	1
30	4US0400130	Joint	1
31	4US0400131	Block	1
32	4US0400132	Spring	1
33	8MB85240705A	Screw	1
34	90ER040	E-Ring	1
35	2120000702	Driver Pin	1
36	4SS0330122	Block	1

MN025 LINER - MOTOR (FOR OVT 534 , 535 DD)

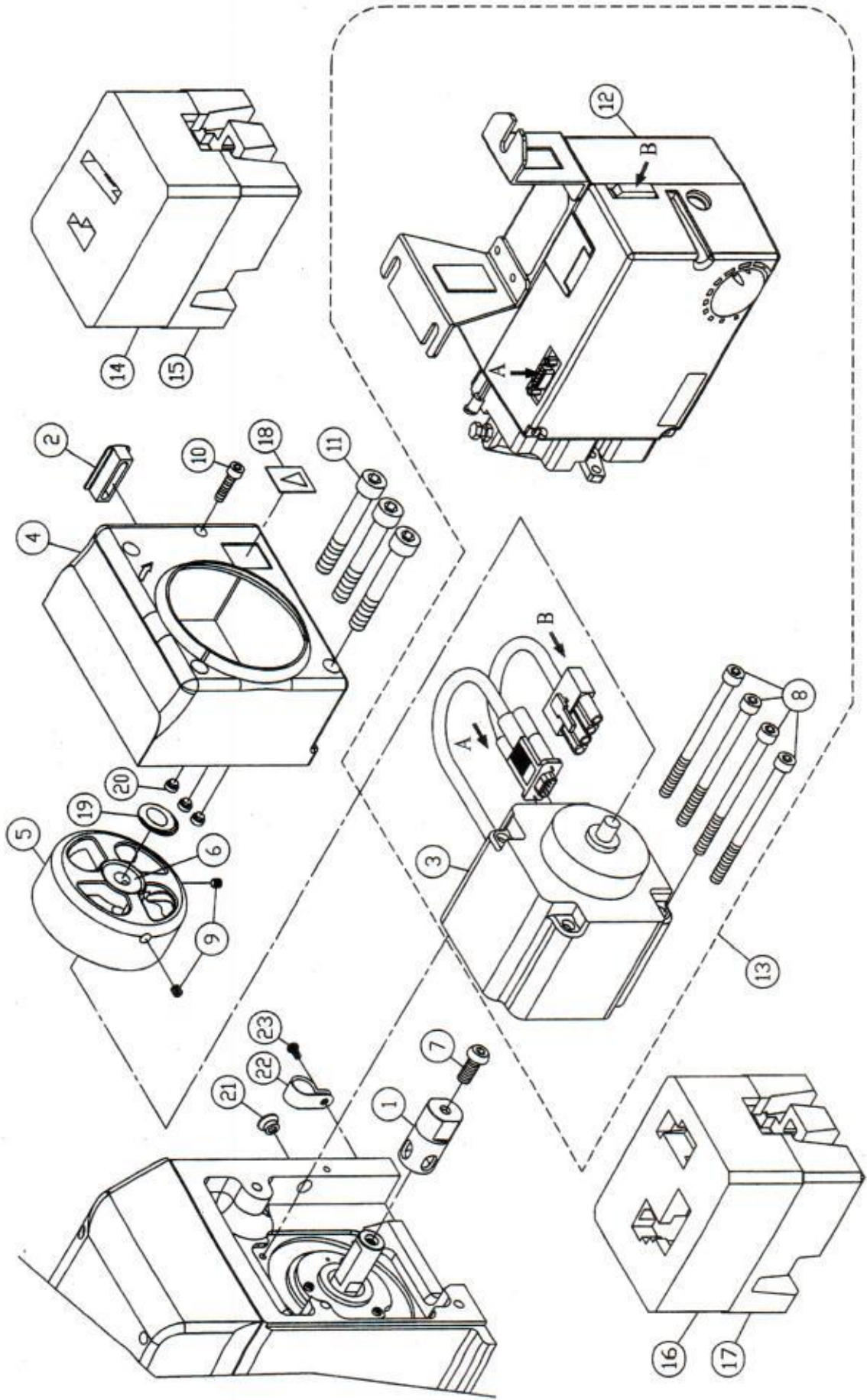




**MN025 Liner - Motor (For OVT 534 , 535 DD)**

<b>Ref. No.</b>	<b>Parts.No.</b>	<b>Description</b>	<b>Amt. Req.</b>
1	4MN0220101	Collar	1
2	4MN0210102	Plug	1
3	4MN0210103	Mini - Motor (SS20)	1
4	4MN0250124	Cover	1
5	4MN0210105	Pulley	1
6	4MN0210106	Pulley Collar	1
7	8MP06401611A	Screw	1
8	8MM05327509B	Screw	4
9	8MN06400800A	Screw	2
10	8MM04283407B	Screw	1
11	8MM05326509B	Screw	3
12	4MN0210107	Control Box (KE3H)	1
13	/SC700	Liner - Motor Asm.	1
14	66745-4	EPS (Top)	1
15	66745-5	EPS (Down)	1
16	66745-6	EPS (Top)	1
17	66745-7	EPS (Down)	1
18	66453-3	Name Plate	1
19	66485-10	Plate	1
20	2120000137	Plug	3
21	22100002271	Plug	1
22	4MN0210108	Holder (9/16)	1
23	8MC04280807D	Screw	1

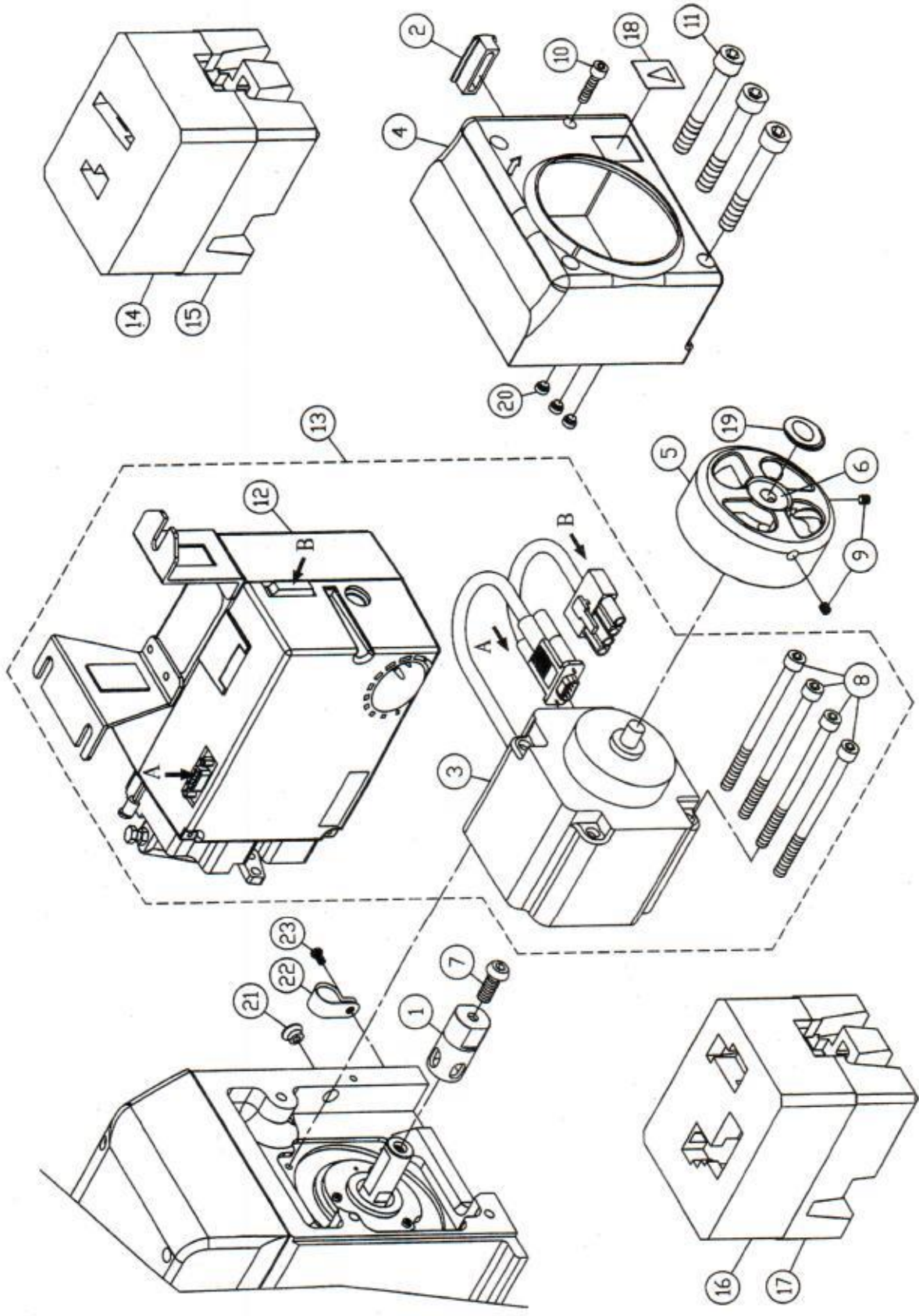
MN026 LINER - MOTOR (FOR OVT 534, 535 DD)



**MN026 Liner - Motor (For OVT 534 , 535 DD)**

<b>Ref. No.</b>	<b>Parts.No.</b>	<b>Description</b>	<b>Amt. Req.</b>
1	4MN0220101	Collar	1
2	4MN0210102	Plug	1
3	4MN0220103	Mini - Motor (2VP3452209C01)	1
4	4MN0250124	Cover	1
5	4MN0220105	Pulley	1
6	4MN0220106	Pulley Collar	1
7	8MP06401611A	Screw	1
8	8MM05327509B	Screw	4
9	8MN06400800A	Screw	2
10	8MM04283407B	Screw	1
11	8MM05326509B	Screw	3
12	4MN0220107	Control Box (MJ-1-UH-215)	1
13	/SC701	Liner - Motor Asm. (1MJM11UH12201)	1
14	66745-4	EPS (Top)	1
15	66745-5	EPS (Down)	1
16	66745-6	EPS (Top)	1
17	66745-7	EPS (Down)	1
18	66453-3	Name Plate	1
19	66485-10	Plate	1
20	2120000137	Plug	3
21	22100002271	Plug	1
22	4MN0210108	Holder (9/16)	1
23	8MC04280807D	Screw	1












MN027 LINER - MOTOR (FOR OVT 535-558 DD)















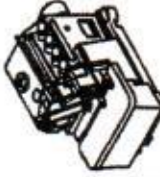











**MN027 Liner - Motor (For OVT 535-558 DD)**

<b>Ref. No.</b>	<b>Parts.No.</b>	<b>Description</b>	<b>Amt. Req.</b>
1	4MN0220101	Collar	1
2	4MN0210102	Plug	1
3	4MN0240103	Mini - Motor (500W)	1
4	4MN0250124	Cover	1
5	4MN0220105	Pulley	1
6	4MN0220106	Pulley Collar	1
7	8MP06401611A	Screw	1
8	8MM05328009B	Screw	4
9	8MN06400800A	Screw	2
10	8MM04283407B	Screw	1
11	8MM05326509B	Screw	3
12	4MN0240107	Control Box (500W)	1
13	/SC703	Liner - Motor Asm. (500W)	1
14	66745-4	EPS (Top)	1
15	66745-5	EPS (Down)	1
16	66745-6	EPS (Top)	1
17	66745-7	EPS (Down)	1
18	66453-3	Name Plate	1
19	66485-10	Plate	1
20	2120000137	Plug	3
21	22100002271	Plug	1
22	4MN0210108	Holder (9/16)	1
23	8MC04280807D	Screw	1

# OVT 530 Series Gauge Parts List

										
Machinetype	Needle Plate	Feed Dog Asm.	Needle Holder	Upper Looper	Lower Looper	Rear Needle Guard	Front Needle Guard	Needle	Top Presser Foot Asm.	Top Feed Dog
OVT 534-240	5212TP0015	5212DG0002	5212NC0001	5212UL0002	5212LL0001	5212NG0002	5212NG0001	66732-11	5212PF2003	5212DGT253
OVT 534-240 DD	5212TP0015	5212DG0002	5212NC0001	5212UL0002	5212LL0001	5212NG0002	5212NG0001	66732-11	5212PF2003	5212DGT253

											
Machinetype	Needle Plate	Feed Dog Asm.	Needle Holder	Upper Looper	Lower Looper	Rear Needle Guard	Front Needle Guard	Needle	Top Presser Foot Asm.	Needle Looper	Top Feed Dog
OVT 535-550	5212TP0030	5212DG0005	5212NC0002	5212UL0001	5212LL0001	5212NG0002	5212NG0005	66732-11	5212PF2002	5212CL0001	5212DGT553
OVT 535-550 DD	5212TP0030	5212DG0005	5212NC0002	5212UL0001	5212LL0001	5212NG0002	5212NG0005	66732-11	5212PF2002	5212CL0001	5212DGT553

											
Machinetype	Needle Plate	Feed Dog Asm.	Needle Holder	Upper Looper	Lower Looper	Rear Needle Guard	Front Needle Guard	Needle	Top Presser Foot Asm.	Needle Looper	Top Feed Dog
OVT 535-558	5212TP0043	5212DG1001	5212NC1001	5212UL0006	5212LL0002	5212NG0002	5212NG0005	66732-19	5212PF3001	5212CL0001	5212DGTG553
OVT 535-558 DD	5212TP0043	5212DG1001	5212NC1001	5212UL0006	5212LL0002	5212NG0002	5212NG0005	66732-19	5212PF3001	5212CL0001	5212DGTG553

## 物料編號版 索引表

物料編號	數量	頁號	序號	頁數	物料編號	數量	頁號	序號	頁數
66800	1	2	18	4	2122000112	1	1	12	2
66801	7	2	22	4	2122000113	1	1	13	2
					2122000114	1	1	14	2
					2122000115	1	1	15	2
2100000223	3	3	9	6	2122000116	1	1	16	2
2100000403	4	2	21	4	2122000117	1	1	17	2
2100000646	2	3	38	6	2122000126	1	1	26	2
2100000648	2	3	12	6	2122000127	1	1	27	2
					2122000128	1	1	28	2
					2122000129	1	1	29	2
2100001505	1	4	51	8	2122000130	1	1	30	2
2100001521	1	4	46	8	2122000131	1	1	31	2
2100001534	1	4	47	8					
2100001536	1	4	43	8					
					2122000201	1	2	1	4
					2122000205	1	2	5	4
2120000137	3	MN025	20	14	2122000207	1	2	7	4
2120000137	3	MN026	20	16	2122000208	1	2	8	4
2120000137	3	MN027	20	18	2122000211	1	2	11	4
					2122000213	1	2	13	4
					2122000217	1	2	17	4
2120000204	1	1	2	2	2122000223	1	2	23	4
2120000205	2	1	5	2	2122000224	1	2	24	4
2120000210	1	1	34	2	2122000226	1	2	26	4
2120000212	2	1	4	2	2122000227	1	2	27	4
					2122000229	1	2	29	4
					2122000232	1	2	32	4
2120000526	2	2	2	4	2122000233	1	2	33	4
2120000527	1	2	4	4	2122000235	1	2	35	4
2120000527	1	2	56	4	2122000238	1	2	38	4
					2122000240	1	2	40	4
					2122000241	1	2	41	4
2120000608	1	1	19	2	2122000243	1	2	43	4
2120000608	1	3	29	6	2122000244	1	2	44	4
2120000615	3	2	16	4	2122000245	1	2	45	4
					2122000247	1	2	47	4
					2122000248	1	2	48	4
2120000702	1	SS037	21	10	2122000249	1	2	49	4
2120000702	1	US041	35	12	2122000250	1	2	50	4
					2122000251	1	2	51	4
					2122000252	1	2	52	4
2120000949	1	3	13	6	2122000254	1	2	54	4
2120000951	1	3	14	6	2122000255	1	2	55	4
2120000952	1	3	15	6					
2120000953	1	3	34	6					
					2122000301	1	3	1	6
					2122000302	1	3	2	6
2120001203	1	4	3	8	2122000303	1	3	3	6
2120001205	1	4	5	8	2122000306	1	3	6	6
2120001206	1	4	6	8	2122000307	1	3	7	6
2120001207	1	4	7	8	2122000317	1	3	17	6
2120001220	1	4	16	8	2122000318	1	3	18	6
2120001264	2	4	50	8	2122000320	1	3	20	6
2120001270	1	4	31	8	2122000322	1	3	22	6
					2122000324	1	3	24	6
					2122000325	1	3	25	6
2121001504	1	3	27	6	2122000326	1	3	26	6
					2122000328	1	3	28	6
					2122000330	1	3	30	6
2122000101	1	1	1	2	2122000332	1	3	32	6
2122000106	1	1	6	2	2122000335	1	3	35	6
2122000107	1	1	7	2	2122000337	3	3	37	6
2122000108	1	1	8	2					
2122000109	1	1	9	2					
2122000110	1	1	10	2	2122000415	1	4	15	8
2122000111	1	1	11	2	2122000417	1	4	17	8

## 物料編號版 索引表

物料編號	數量	頁號	序號	頁數	物料編號	數量	頁號	序號	頁數
2122000427	1	4	27	8	4MN0210102	1	MN027	2	18
2122000428	1	4	28	8	4MN0210103	1	MN025	3	14
2122000432	1	4	32	8	4MN0210105	1	MN025	5	14
2122000434	1	4	34	8	4MN0210106	1	MN025	6	14
2122000435	1	4	35	8	4MN0210107	1	MN025	12	14
2122000436	1	4	36	8	4MN0210108	1	MN025	22	14
2122000437	1	4	37	8	4MN0210108	1	MN026	22	16
2122000439	1	4	39	8	4MN0210108	1	MN027	22	18
2122000440	1	4	40	8					
2122000441	1	4	41	8					
2122000448	1	4	48	8					
					4MN0220101	1	MN025	1	14
					4MN0220101	1	MN026	1	16
					4MN0220101	1	MN027	1	18
2130000149	1	1	24	2	4MN0220103	1	MN026	3	16
2130000206	3	1	3	2	4MN0220105	1	MN026	5	16
2130000613	1	3	42	6	4MN0220105	1	MN027	5	18
2130000701	1	3	40	6	4MN0220106	1	MN026	6	16
					4MN0220106	1	MN027	6	18
					4MN0220107	1	MN026	12	16
2130001202	1	4	2	8					
2130001208	1	4	8	8					
2130001210	1	4	10	8	4MN0240103	1	MN027	3	18
2130001212	1	4	12	8	4MN0240107	1	MN027	12	18
2130001213	1	4	13	8					
2130001224	1	4	44	8					
2130001238	1	4	23	8	4MN0250124	1	MN025	4	14
2130001249	2	4	33	8	4MN0250124	1	MN026	4	16
2130001265	1	4	18	8	4MN0250124	1	MN027	4	18
2140000247	1	2	31	4	4SS0330104	1	SS037	4	10
					4SS0330105	1	SS037	5	10
					4SS0330109	1	SS037	9	10
2200001025	1	US041	18	12	4SS0330110	1	SS037	10	10
2200001313	1	4	20	8	4SS0330115	1	SS037	15	10
					4SS0330122	1	SS037	22	10
					4SS0330122	1	US041	36	12
2260001320	3	4	49	8	4SS0330124	1	SS037	24	10
21200001121	1	1	25	2	4SS0340101	1	SS037	6	10
21220002141	1	2	14	4	4SS0350108	1	SS037	8	10
21220003041	1	3	4	6	4SS0350111	1	SS037	11	10
21220003051	1	3	5	6	4SS0350118	1	SS037	18	10
22000013111	1	4	19	8	4SS0370101	1	SS037	1	10
22100002271	1	MN025	21	14	4US0400103	1	US041	3	12
22100002271	1	MN026	21	16	4US0400104	1	US041	4	12
22100002271	1	MN027	21	18	4US0400110	1	US041	10	12
					4US0400119	1	US041	19	12
/SC700	1	MN025	13	14	4US0400121	1	US041	21	12
/SC701	1	MN026	13	16	4US0400122	1	US041	22	12
/SC703	1	MN027	13	18	4US0400125	1	US041	25	12
					4US0400127	1	US041	27	12
					4US0400130	1	US041	30	12
213A0001202	1	4	1	8	4US0400131	1	US041	31	12
					4US0400132	1	US041	32	12
4MN0210102	1	MN025	2	14	4US0410101	1	US041	1	12
4MN0210102	1	MN026	2	16	4US0410105	1	US041	5	12



## 物料編號版 索引表

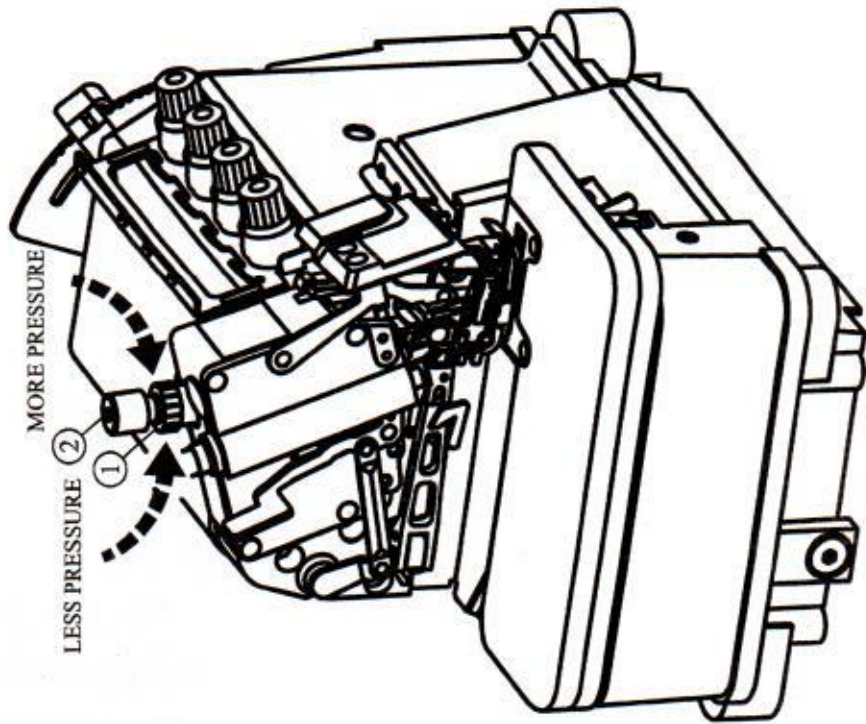
物料編號	數量	頁號	序號	頁數	物料編號	數量	頁號	序號	頁數
4US0410107	1	US041	7	12	8MC04280807A	3	4	21	8
4US0410112	1	US041	12	12	8MC04280807D	1	MN025	23	14
4US0410116	1	US041	16	12	8MC04280807D	1	MN026	23	16
4US0410117	1	US041	17	12	8MC04280807D	1	MN027	23	18
					8MC04281607D	2	4	45	8
					8MC04281807D	2	2	42	4
66453-3	1	MN025	18	14	8MC95300708A	2	1	22	2
66453-3	1	MN026	18	16	8MC95300808E	2	SS037	2	10
66453-3	1	MN027	18	18	8MC95300808E	2	US041	2	12
66453-6	1	4	22	8					
66453-8	1	SS037	3	10	8ME02160403A	2	US041	15	12
66453-8	1	US041	6	12	8ME03200406A	2	US041	24	12
66485-10	1	MN025	19	14	8ME03200406A	1	US041	26	12
66485-10	1	MN026	19	16	8ME03200706A	1	3	19	6
66485-10	1	MN027	19	18	8ME04280507A	1	3	41	6
66745-4	1	MN025	14	14	8ME04281008A	1	3	31	6
66745-4	1	MN026	14	16	8ME75180504A	1	SS037	17	10
66745-4	1	MN027	14	18					
66745-5	1	MN025	15	14	8MK05201307G	2	2	3	4
66745-5	1	MN026	15	16	8MK05201808A	1	2	6	4
66745-5	1	MN027	15	18	8MK06402306G	1	2	9	4
66745-6	1	MN025	16	14					
66745-6	1	MN026	16	16	8MM04282507B	3	3	36	6
66745-6	1	MN027	16	18	8MM04283407B	1	MN025	10	14
66745-7	1	MN025	17	14	8MM04283407B	1	MN026	10	16
66745-7	1	MN026	17	16	8MM04283407B	1	MN027	10	18
66745-7	1	MN027	17	18	8MM05321209A	1	1	23	2
66801-1	2	2	30	4	8MM05321409A	1	3	39	6
66801-2	1	2	20	4	8MM05326509B	3	MN025	11	14
					8MM05326509B	3	MN026	11	16
8MA03200206A	1	SS037	13	10	8MM05326509B	3	MN027	11	18
8MA03200206A	1	US041	28	12	8MM05327509B	4	MN025	8	14
8MA03200306A	1	4	14	8	8MM05327509B	4	MN026	8	16
8MA06400408A	1	2	10	4	8MM05328009B	4	MN027	8	18
					8MM06401210A	4	2	12	4
8MB02160304A	1	SS037	20	10	8MM06401210A	1	3	23	6
8MB03200305A	3	1	21	2	8MM06401410A	2	2	15	4
8MB03200305A	2	US041	11	12	8MM06401410A	1	3	21	6
8MB03200306A	1	2	25	4	8MM06402510A	3	1	20	2
8MB03200405A	1	US041	9	12					
8MB03200406A	1	US041	8	12	8MN03200300A	2	3	43	6
8MB03200806K	1	4	11	8	8MN03200400A	1	SS037	14	10
8MB04280408G	2	1	32	2	8MN03200400A	1	US041	29	12
8MB04280507K	1	US041	23	12	8MN04280400A	5	2	34	4
8MB04280711E	1	1	18	2	8MN04280400A	1	4	29	8
8MB04281007G	2	4	38	8	8MN04280600A	1	2	19	4
8MB04281412E	1	1	33	2	8MN05320400A	2	4	4	8
8MB06301608Q	1	3	33	6	8MN05320500E	3	2	39	4
8MB75180305K	1	SS037	23	10	8MN06400800A	1	4	25	8
8MB75180305K	2	US041	13	12	8MN06400800A	2	MN025	9	14
8MB75180605A	1	SS037	19	10	8MN06400800A	2	MN026	9	16
8MB75180805A	1	US041	14	12	8MN06400800A	2	MN027	9	18
8MB85240605A	3	4	9	8					
8MB85240606A	1	SS037	12	10	8MP06401611A	1	MN025	7	14
8MB85240705A	1	US041	33	12	8MP06401611A	1	MN026	7	16
8MB85240806A	1	2	37	4	8MP06401611A	1	MN027	7	18
8MB95301008A	1	SS037	16	10					
8MB95301008A	1	US041	20	12	8MQ04280808A	1	2	28	4
8MB95401008A	1	SS037	7	10					
8MC04280607D	2	3	8	6					
8MC04280607D	2	4	42	8					
8MC04280608D	2	SS037	25	10					

## 物料編號版 索引表

物料編號	數量	頁號	序號	頁數	物料編號	數量	頁號	序號	頁數
8SC36400608A	2	3	11	6					
90ER030	1	3	16	6					
90ER040	1	2	53	4					
90ER040	1	US041	34	12					
90ER080	1	2	46	4					
90OR060	1	4	24	8					
90OR070	1	4	30	8					
90SP0210	1	4	26	8					

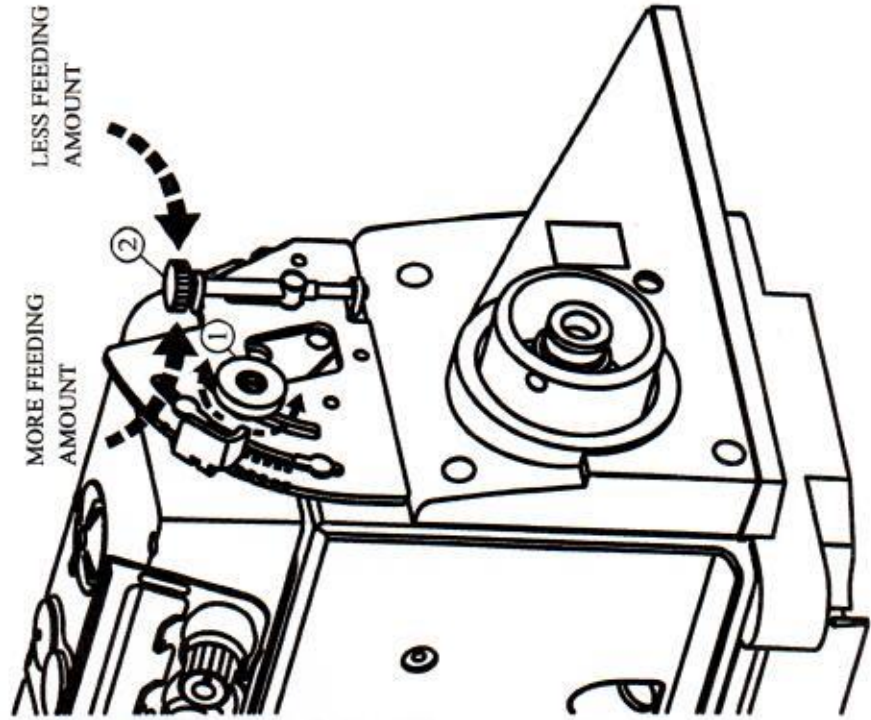
THE PRESSURE ADJUSTMENT OF TOP FEED DOG

TURNING LEFT LOOSENING ① NUT, THEN, TURNING RIGHT, TIGHTENING ② ADJUSTMENT NUT, WILL INCREASE THE PRESSURE OF TOP FEED DOG AND FEEDING AMOUNT WILL BE INCREASED AT THE SAME TIME.



THE ADJUSTMENTS OF FEEDING AMOUNT FOR TOP FEED DOG

TURNING LEFT, LOOSENING ① NUT AND USING ② MICRO-ADJUSTMENT SCREW TO ADJUST TOP FEED DOG FEEDING AMOUNT.  
TURNING LEFT, INCREASING TOP FEED DOG FEEDING AMOUNT.  
TURNING RIGHT, DECREASING TOP FEED DOG FEEDING AMOUNT.



**GLOBALSEW.COM**

**Cat. No. OVT 534-1.0-03-03**

**© 2014 GLOBALSEW.COM**

**First edition; issued in 2014/03**