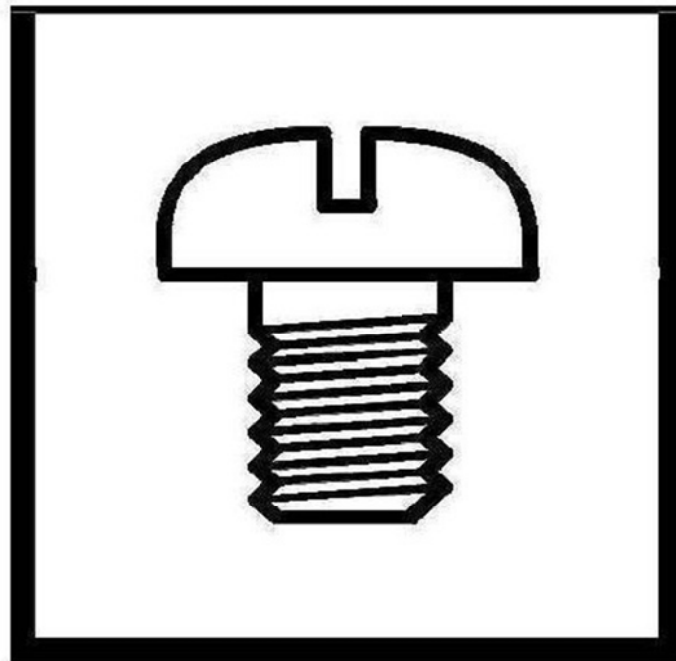


# **GLOBAL**

**WF 1516-65**  
**WF 1516-65AUT**

---



---

**SERVICE MANUAL / PARTS BOOK**



# Table of Contents

## Manual

1. Machine introduction . . . . .	1
2. Main technical specification . . . . .	1
3. Installation . . . . .	2
4. Installation of waste oil container . . . . .	3
5. Adjusting the belt tension . . . . .	3
6. Installation of belt cover . . . . .	3
7. Oiling . . . . .	4
8. Cleaning the oil slot . . . . .	5
9. Installation of needle . . . . .	6
10. Threading of the bottom thread . . . . .	6
11. Installation of thread winder guide . . . . .	6
12. Winding the bottom thread . . . . .	7
13. Threading . . . . .	7
14. Adjusting the length of stitches . . . . .	7
15. Adjusting the thread tension . . . . .	8
16. Adjusting the take-up spring . . . . .	8
17. Lifting the pressure foot . . . . .	9
18. Adjusting the pressure of the pressure foot . . . . .	9
19. Adjusting the hook needle bed . . . . .	9
20. Resetting of the safety device . . . . .	10
21. Adjusting the position of thread separation hook . . . . .	10
22. Relations between the needle and the hook . . . . .	11
23. Adjusting the alternation amount of the pressure foot . . . . .	12
24. Adjusting the cutter . . . . .	12
25. Confirming the stop position . . . . .	13
26. List of sewing speed . . . . .	13
27. Sewing problems and troubleshooting . . . . .	14





# **SERVICE MANUAL**



## 1. Machine introduction

This machine adopts synchronous feeding and unique fabric feeding mechanism to optimize its climbing performance, and features powerful and smooth thick-fabric feeding, even stitches, tidy and nice-looking. Lines are drawn by horizontal-type hook, taken up by slide bar mechanism and driven by synchronous belts on upper and lower shafts, which has ensured high speed and low noise performance.

This product is widely applied in sewing thick materials such as automobile cushion, sofa, purse and tent etc.

## 2. Main technical specification

Application	Secondary thick fabric/ thick fabric
Maximum sewing speed	2500s.p.m
Longest stitch	9mm
Needle bar travel	36mm
Needle	DP×17(Nm125~Nm180)Standard Nm160(23#)
Ways of lubrication	Oiling for oil line (automatic oiling for hook)
Hook	Automatic large vertical lubrication hook
Height of pressure foot	Manual control: 9mm, kneel control: 16mm
Motor	Servo motor
Needle clearance	8 mm (standard)

★ Special needle clearance **WF 1515** :

3.2, 4, 4.8, 6.4 , 9.5, 12.7, 16, 19 and 25.4 mm

★ Special needle clearance **WF 1515-AUT** :

3.2, 4, 4.8, 6.4 , 9.5, 12.7, 16 mm

1

### 3. Installation (See Figure 1)

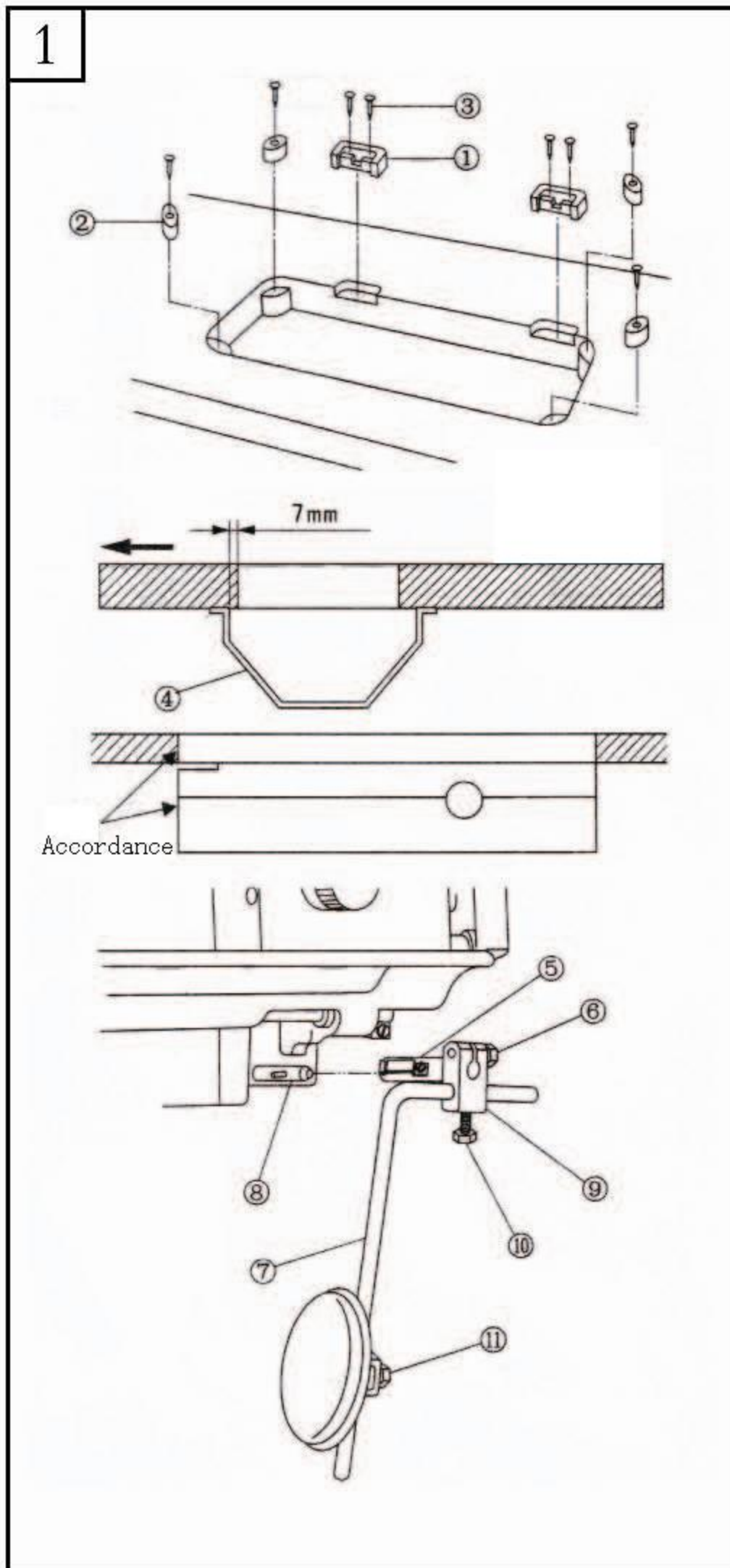
1. Installation of the frame bedplate connection hook block and the frame rubber cushion:

Fix the auxiliary connection hook block① and the frame rubber cushion② on the bedplate with nails③.

2. Fix the oil tray④ on the bedplate with eight screw nails according to the position indicated on the figure.

3. Install the kneel-controlled joint⑤, kneel-controlled lifting installation crank⑨ and curved bar⑦ according to the direction of the kneel-controlled lifting bar shaft⑧.

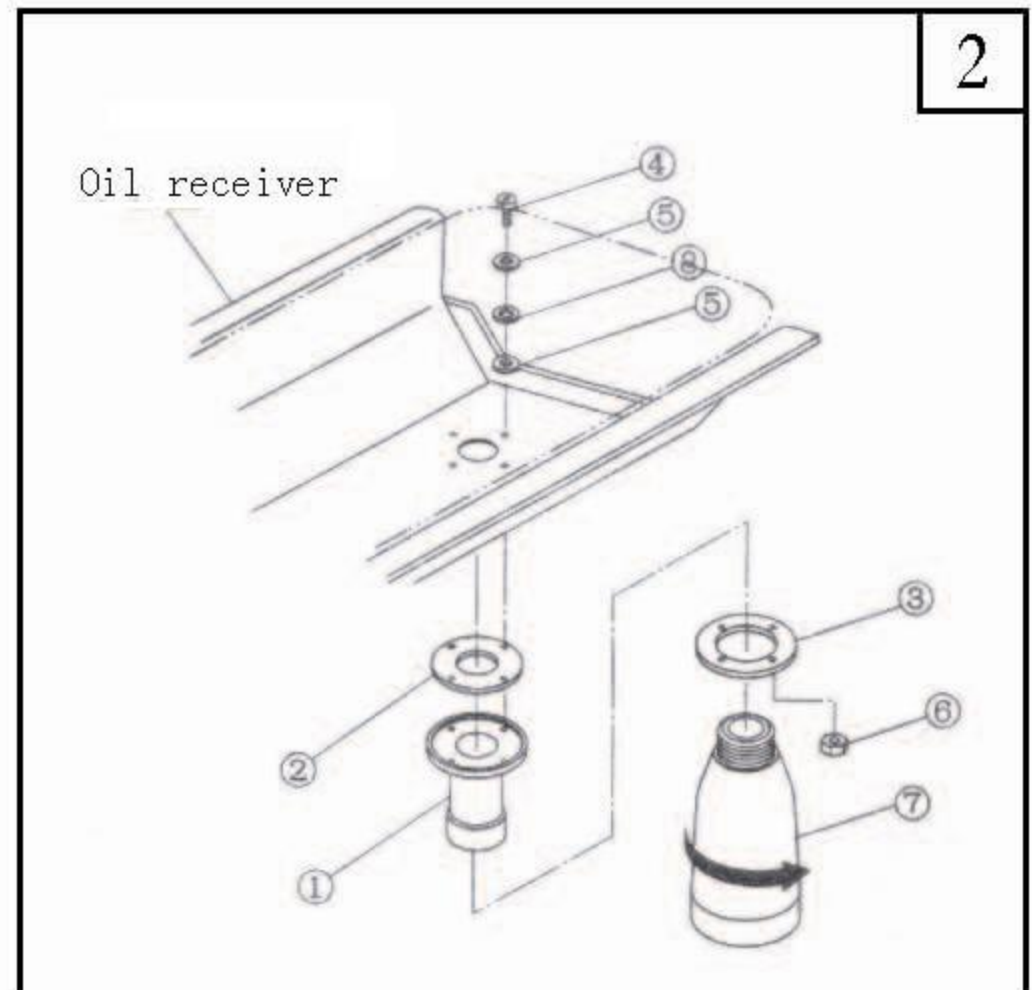
4. Adjust the direction of cushion blocks with fixed screws⑥ and ⑩ and ⑪.





#### 4. Installation of waste oil container (See Figure 2)

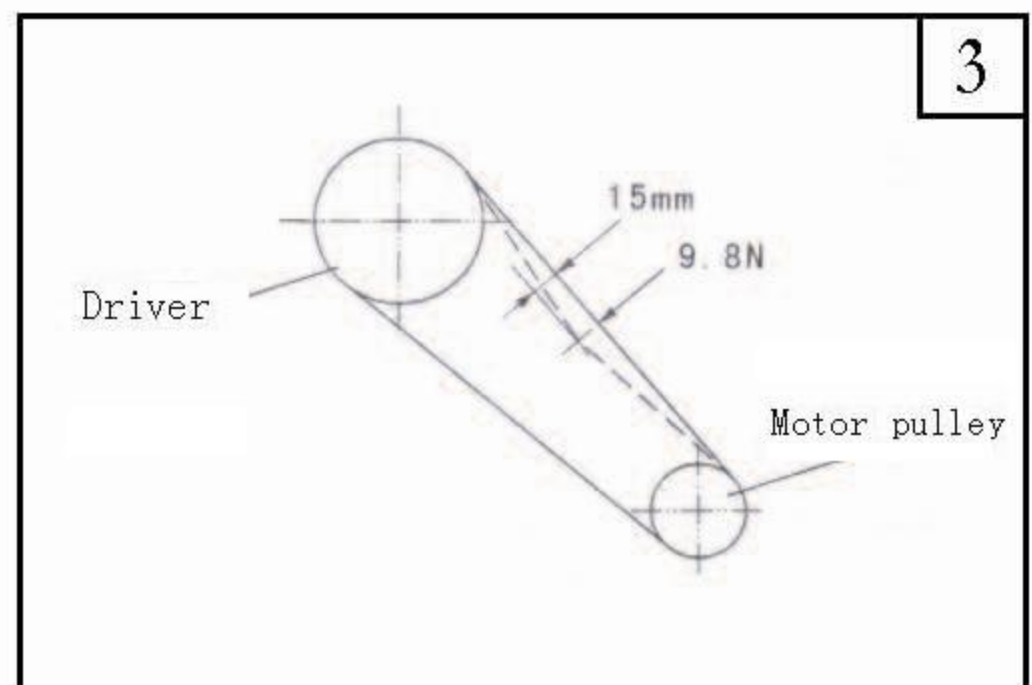
1. Install the oil discharge stopper①, oil seal② and the washer③ on the oil tray. Cover the cushion block⑤ and the washer⑧ on the fixed screw④. Then fix them with nut⑥.
2. Turn the waste oil pot⑦ to the oil discharge stopper① after fixing.



#### 5. Adjusting the belt tension (See Figure 3)

Move the height of the motor when adjusting the belt tension. Press the middle part of the belt with force of 9.8N. The relaxation shall be 15mm at the moment.

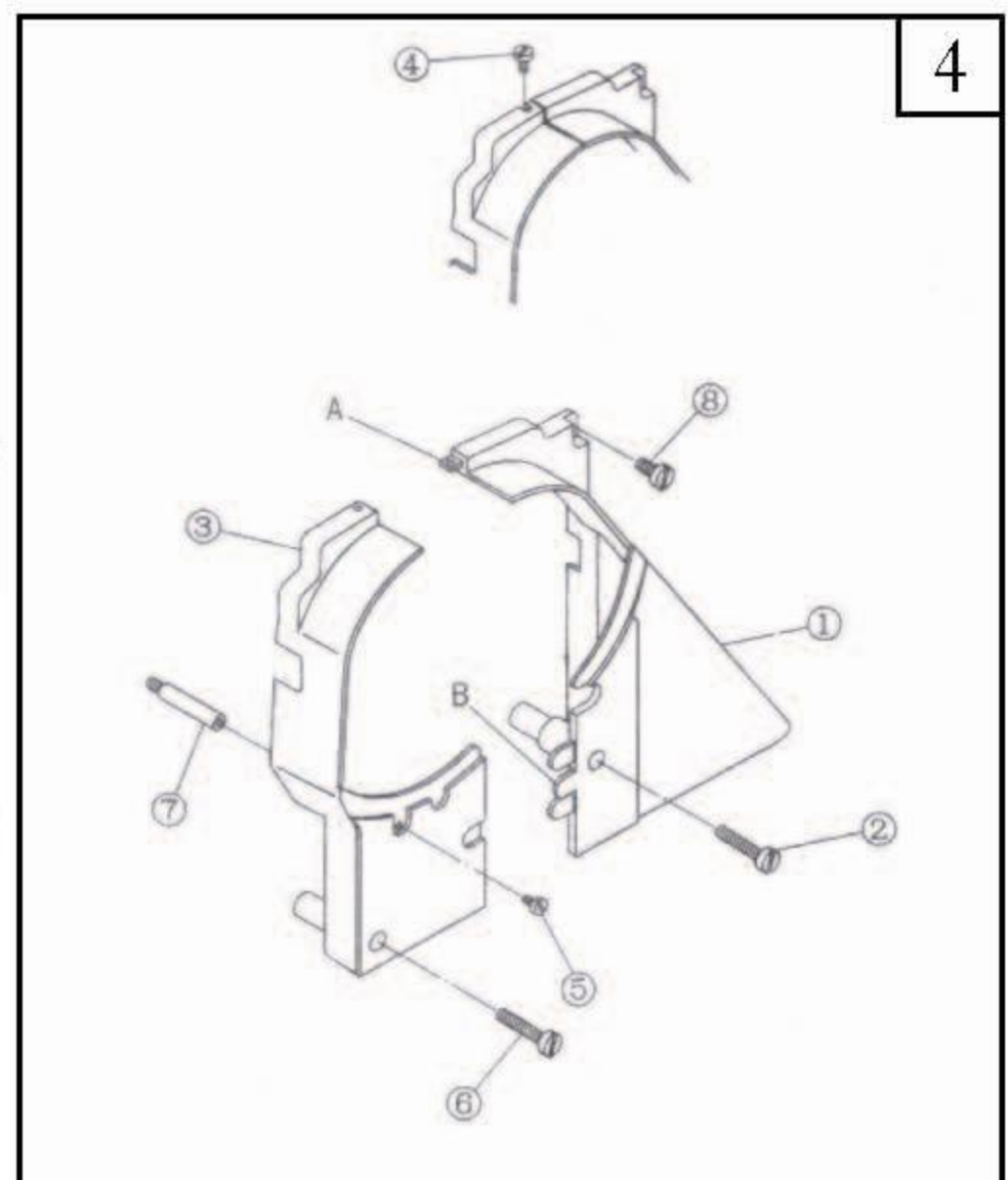
Note: Before adjusting, please cut off the power and ensure that the motor has stopped.



#### 6. Installation of belt cover (See Figure 4)

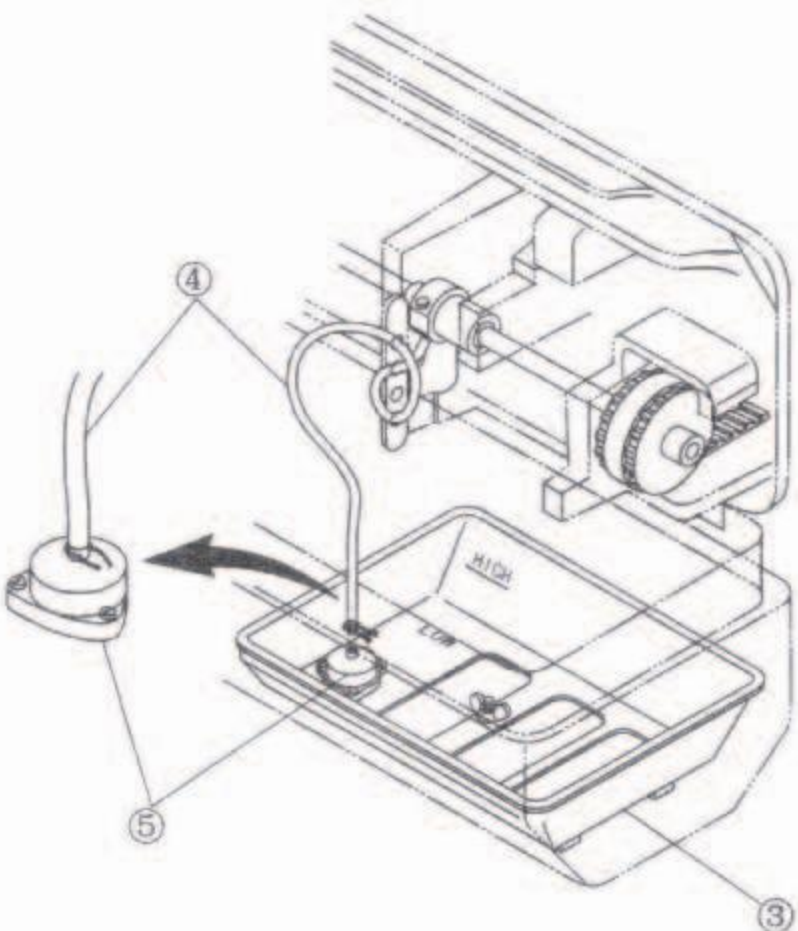
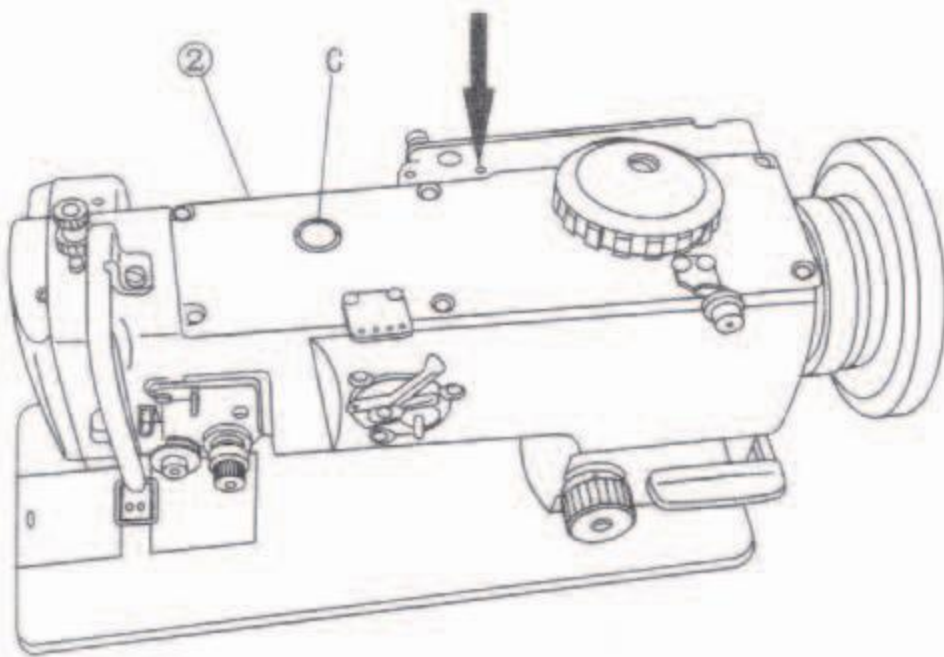
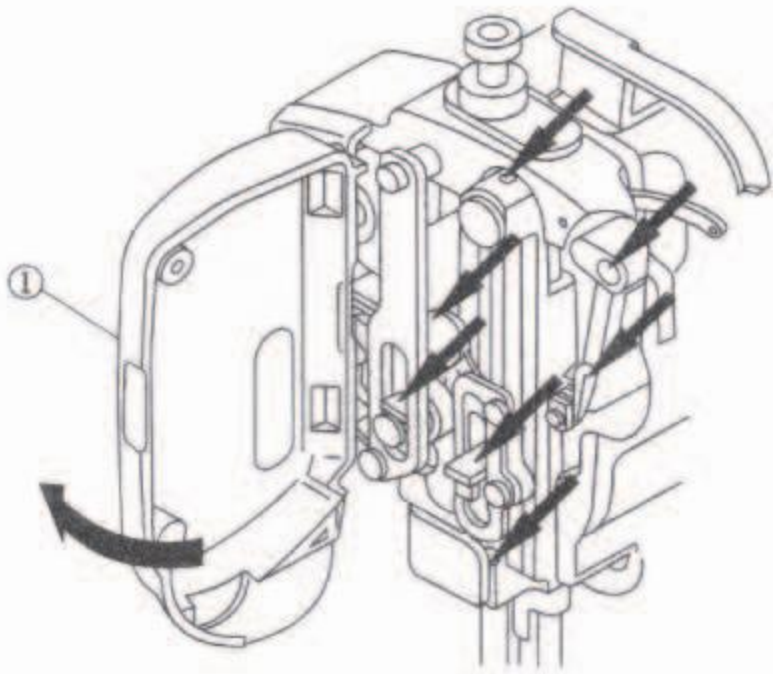
1. Screw the belt cover support⑦ to the bolt hole on the head.
2. Install the belt cover (right) ① on the head with fixed screws ② and ③.
3. Mount the belt cover (left) ③ on the claw AB of belt cover (right) ①.
4. Fix the belt cover (left) ③ with fixed screws ④, ⑤ and ⑥.

Note: Please confirm that the belt cover doesn't contact with the belt and the driving wheel after installing the belt cover.





5



## 7. Oiling (See Figure 5)

### ONE. Oiling of surface

1. Screw off the panel bolts.
2. Open the panel ① to the direction of arrow.
3. Properly oil the part indicated by the arrow in every day.
4. Close the panel.
5. Tighten the bolts.

### TWO. Machine oiling

1. Add a proper amount of oil to the parts indicated by the arrow in every day.
2. Before the first operation or when the machine has not been in use for a long time, add oil to the parts indicated by the arrow, and dismantle head cover ② to add a proper amount of oil to each felt and oil line.

### THREE. Oil slot oiling

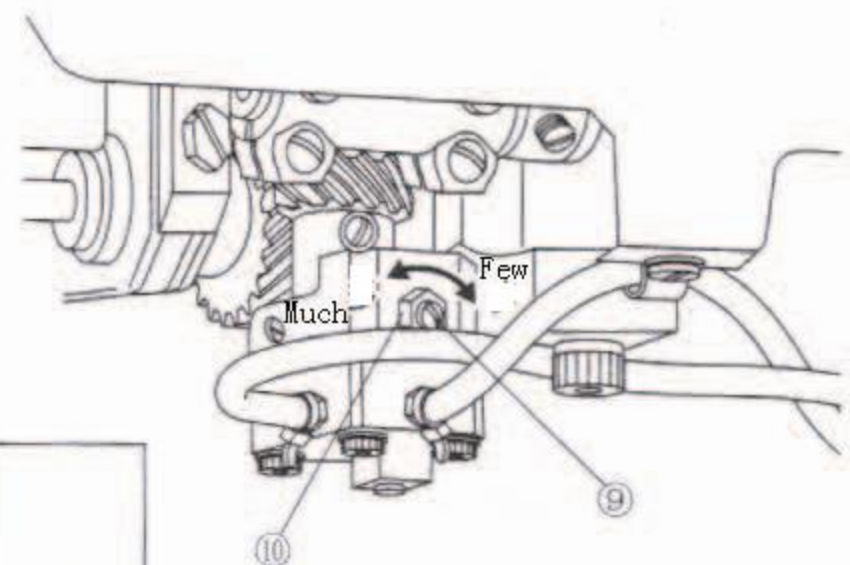
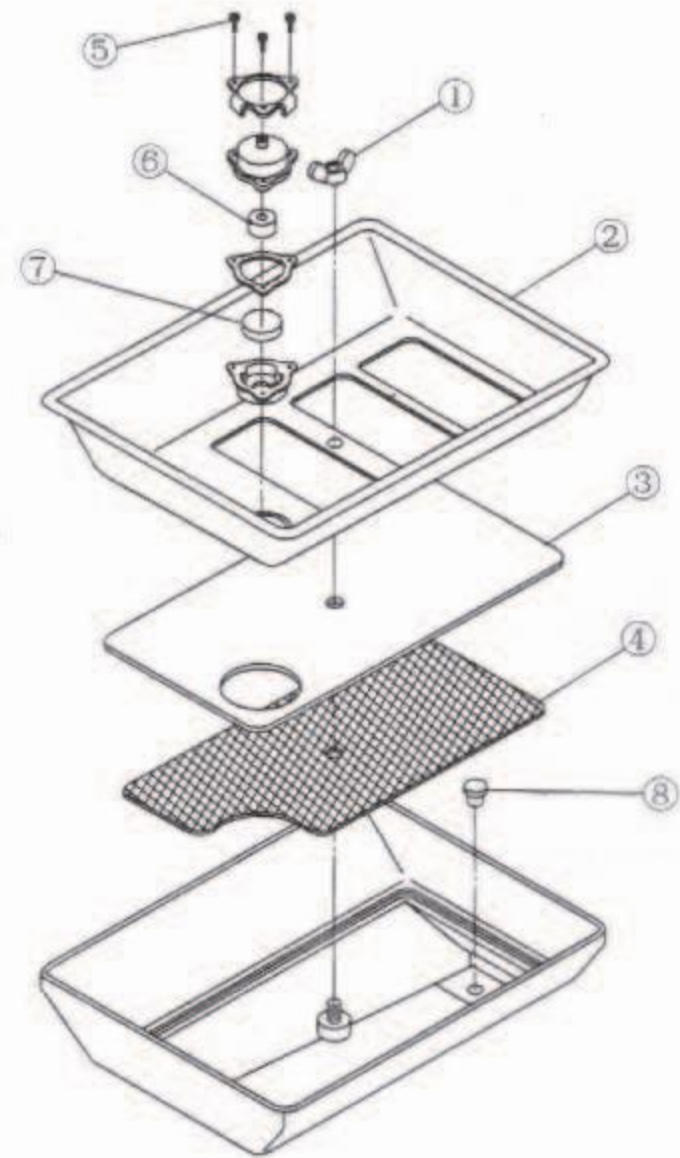
1. Insert the bulge at the bottom of the oil slot ③ into the waste oil hole which is used for receiving oil.
2. Connect the oil pipe ④ with the filter ⑤ of the oil slot. Then fix it with clamp.
3. Add sewing machine oil into the oil slot till the HIGH position.
4. Oil if the level is under LOW.
5. Run the sewing machine after oiling. You can see the oil moving up and down in oil window C in normal condition. (with the revolution more than 1500rpm)



## 8. Cleaning the oil slot (See Figure 6)

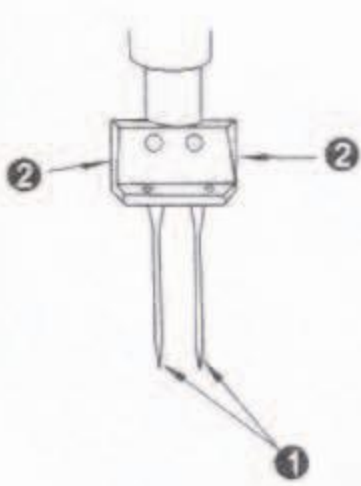
1. Dismantle the oil tube on the oil slot.
2. Remove the butterfly nut ① and take down the cover (upper) ②, filter ③ and cover (lower) ④ to clean.
3. Take down the fixed screw ⑤ of the filter box and clean the filtering core ⑥ and magnet ⑦ inside it.
4. When changing the engine oil inside the oil slot, dismantle the stop bolt ⑧ and then the waste oil can be discharged into the waste oil container. Tighten the stop bolt ⑧ after discharging. (Note: Discharge the engine oil before taking out the oil slot.)
5. Put the filtering core ⑥ and magnet ⑦ into the filter box and fix them with fixed screw ⑤ on the cover (upper) ②.
6. Put with the order of cover (lower) ④, filter ③ and cover (upper) ② and then fix them on the oil slot with butterfly screw ①.
7. Insert the oil tube into the oil slot and fix with clamp.
8. Loosen the nut ⑩ when adjusting the oil quantity of the hook with adjusting screw ⑨. When loosening the nut clockwise, the oil quantity decreases; otherwise, it increases.
9. Put the paper near the periphery of the hook for about five seconds. It is proper for the oil quantity if there is oil stain on the paper as shown in the figure.

6



Scrap of paper

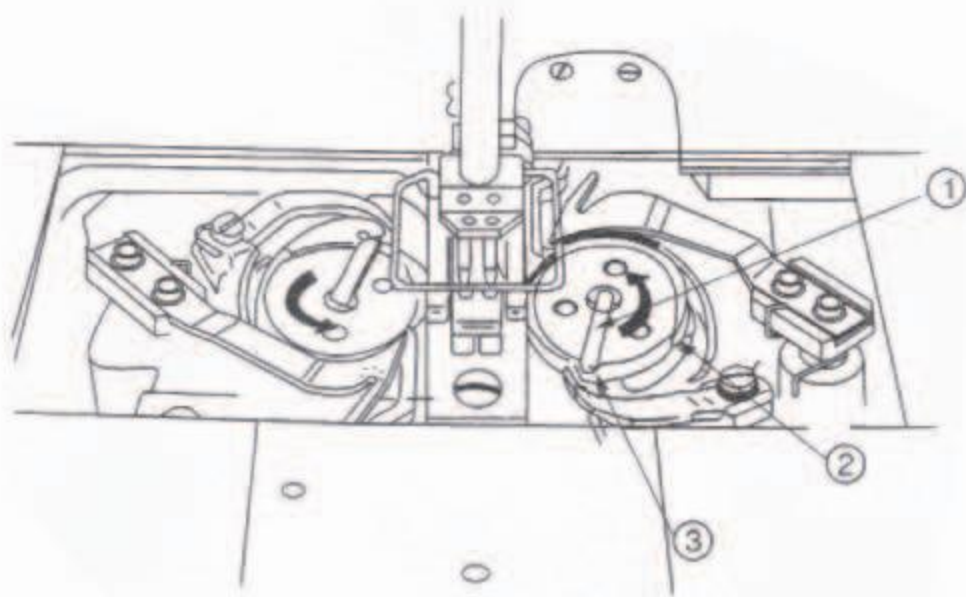
7



### 9. Installation of needle (See Figure 7)

1. Run the driving wheel and lift the needle bar to the highest position.
2. Loosen the needle fixed bolt ② to make the long slot of the needle ① face the left.
3. Insert the needle into the innermost part.
4. Tighten the needle fixed bolt ②.

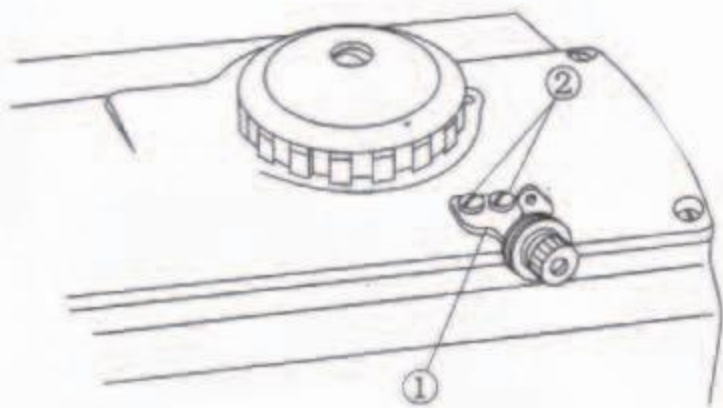
8



### 10. Threading of the bottom thread (See Figure 8)

1. Cock the washer ① of the hook and draw the core out.
2. During installation, correctly insert the hook shaft and lay down the washer.
3. Have the bottom thread gone through the threading slot ② of the hook and then pull the thread through the tension spring. Then draw it out from the thread hole ③.
4. The hook core shall turn along the arrow after pulling the bottom thread.

9



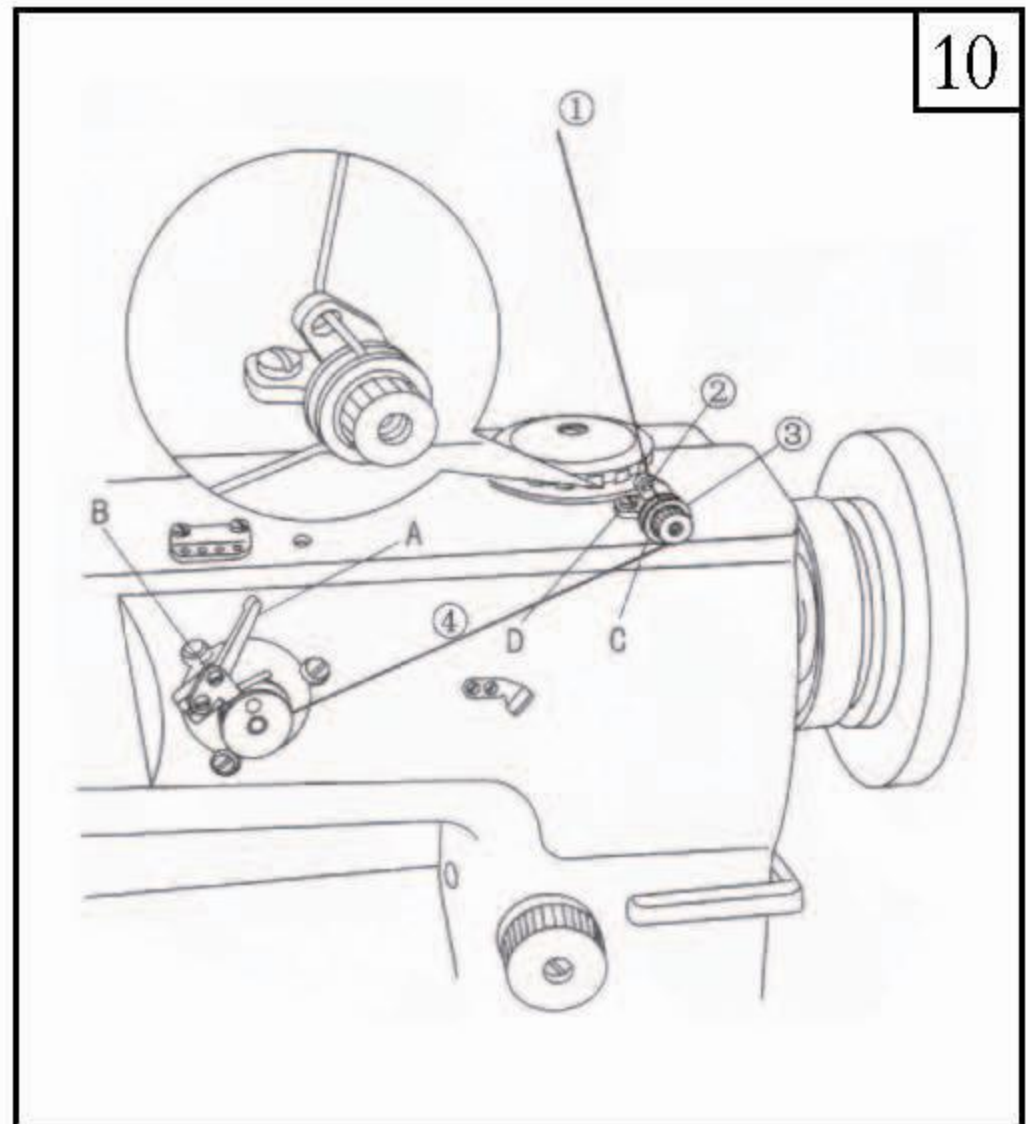
### 11 Installation of thread winder guide (See Figure 9)

Install the thread winder guide ① on the cover with fixed screw ②.



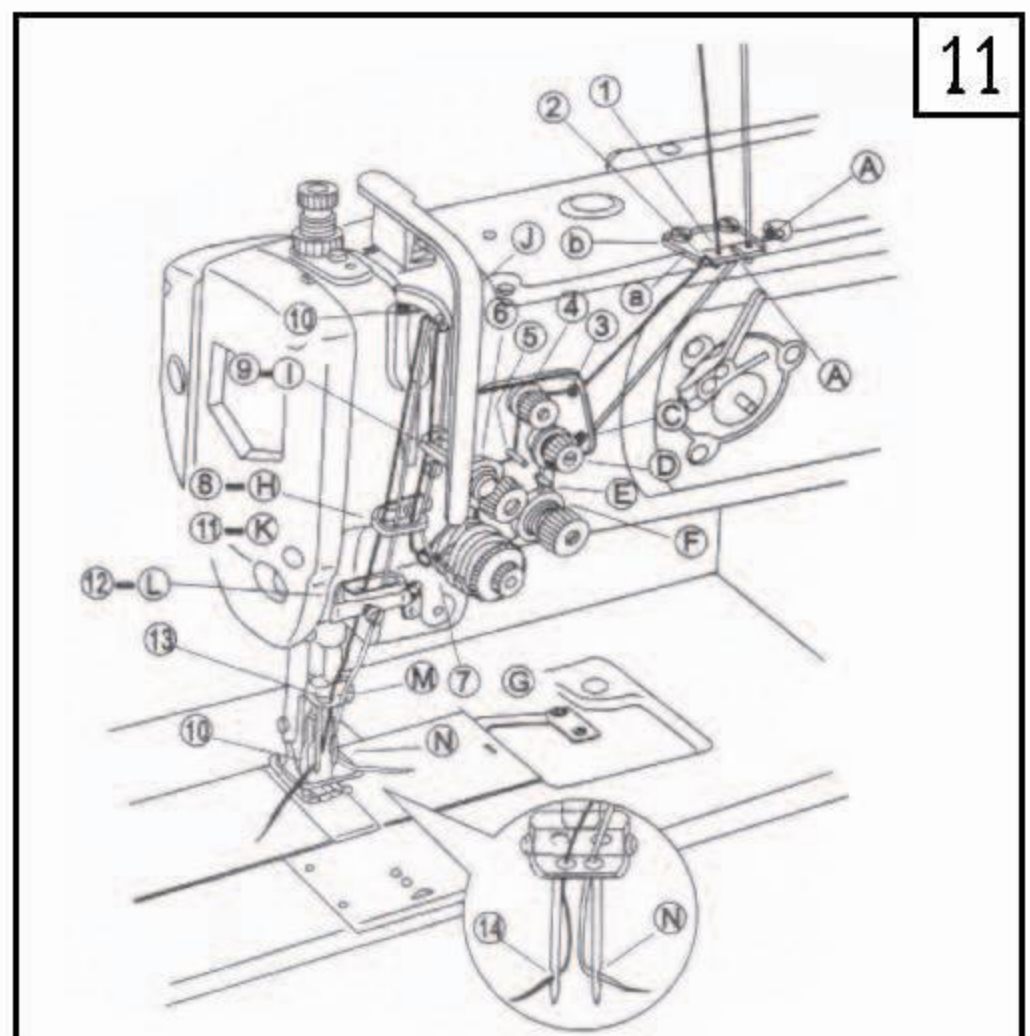
## 12. Winding the bottom thread (See Figure 10)

1. Thread according to the order of ①~④ and then wind the coil on the hook core.
2. Press down the winding bar A.
3. Loosen the fixed screw B and adjust the regulating panel to make the thread wind to the position of about 80%.
4. If the winding thread deviates from the course, move the thread winder guide C forward and backward to adjust and then fix with fixed screw D.
5. After the winding is over, the winding rod separates and stops automatically.



## 13. Threading (See Figure 11)

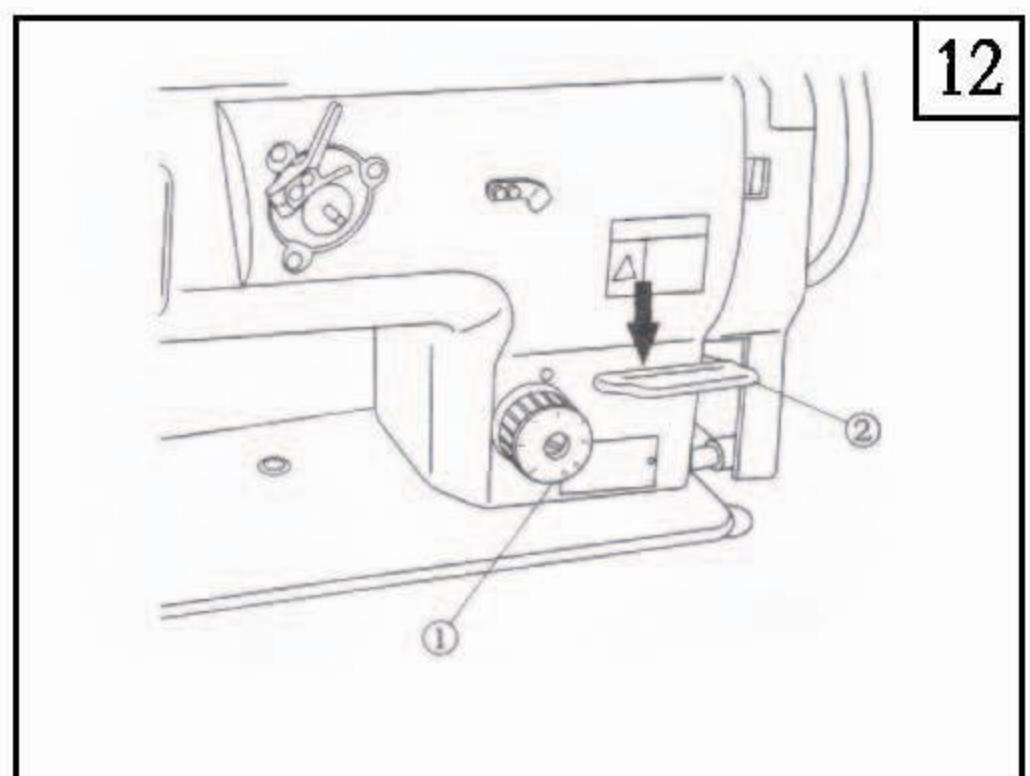
Thread according to the order indicated on the figure.



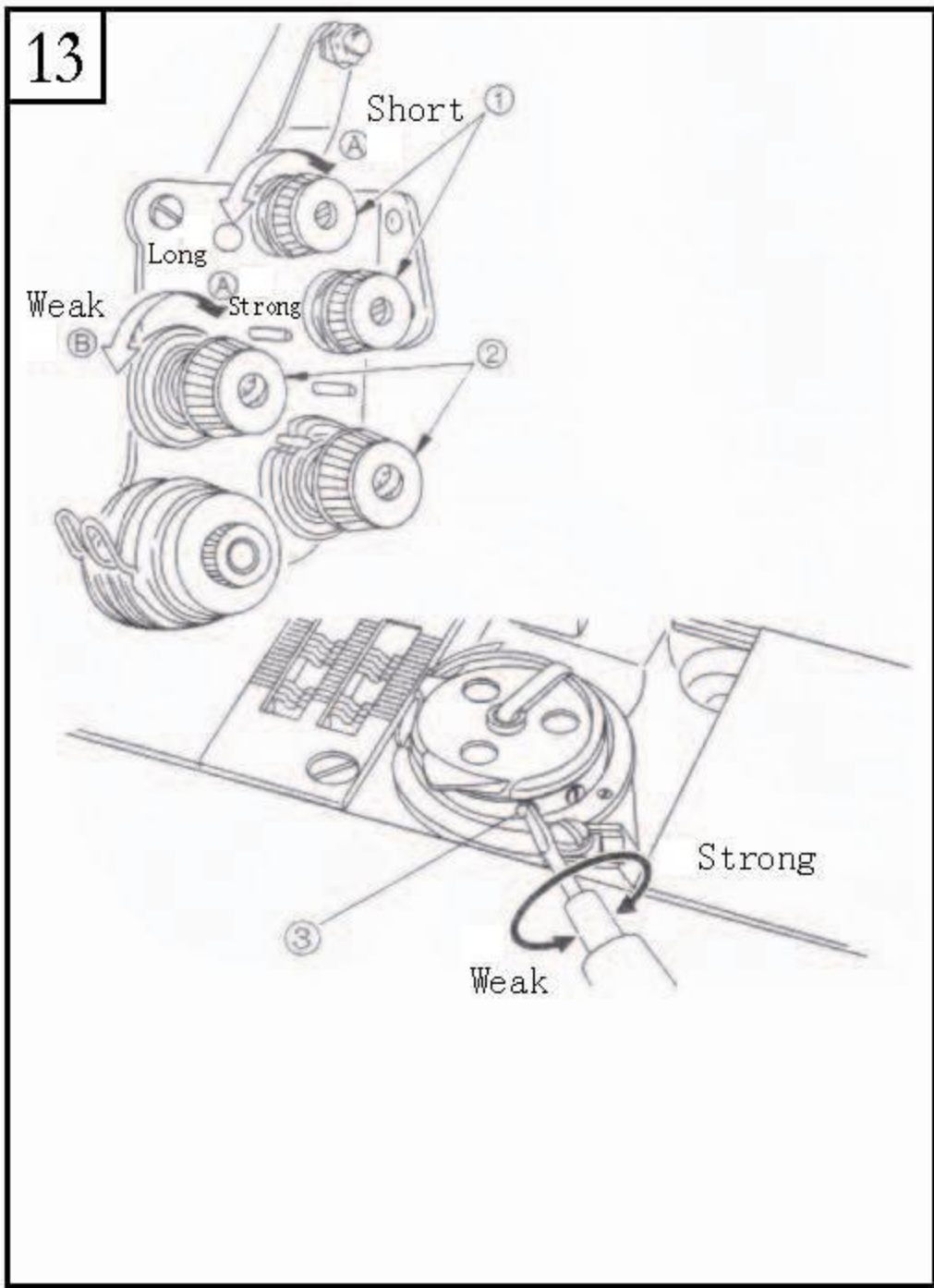
## 14. Adjusting the length of stitches (See Figure 12)

Turn the feed adjusting tray ① to the left (or right) and make the adjusting mark aim at the required number.

Press the backstitch spanner ② downward to start and release the spanner to resume the normal stitch.

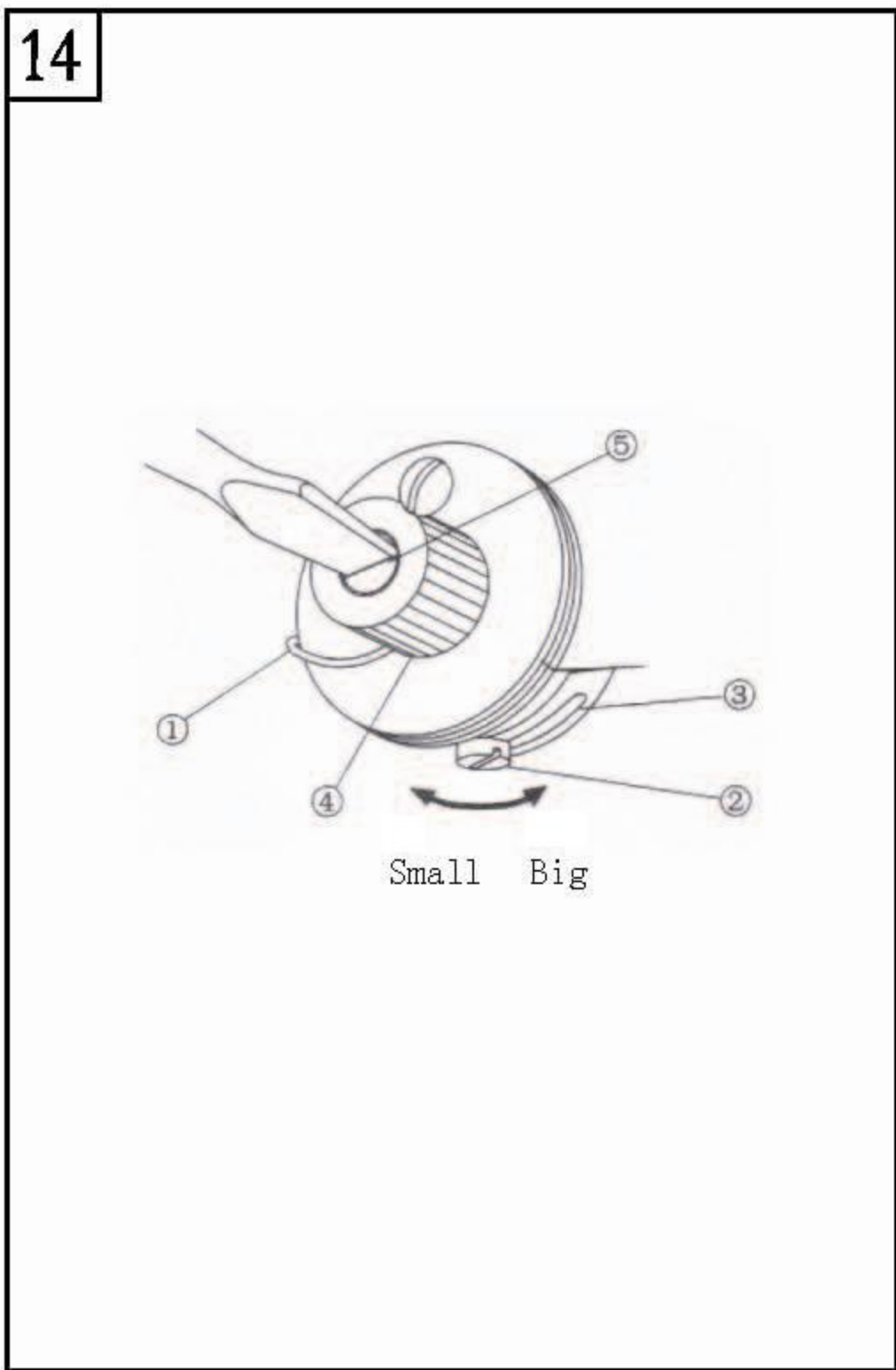






**15. Adjusting the thread tension (Figure 13)**

1. Adjusting the tension of feeding thread  
Turn the thread tension nut① clockwise and the remained thread on the needle top becomes shorter after cutting; otherwise, it becomes longer.  
Turn the thread tension nut② clockwise, than the tension of feeding thread increases; otherwise, the tension decreases.
2. Adjusting the tension of bottom thread  
Turn the thread tension screw① clockwise, than the tension of bottom thread increases; otherwise, the tension decreases.

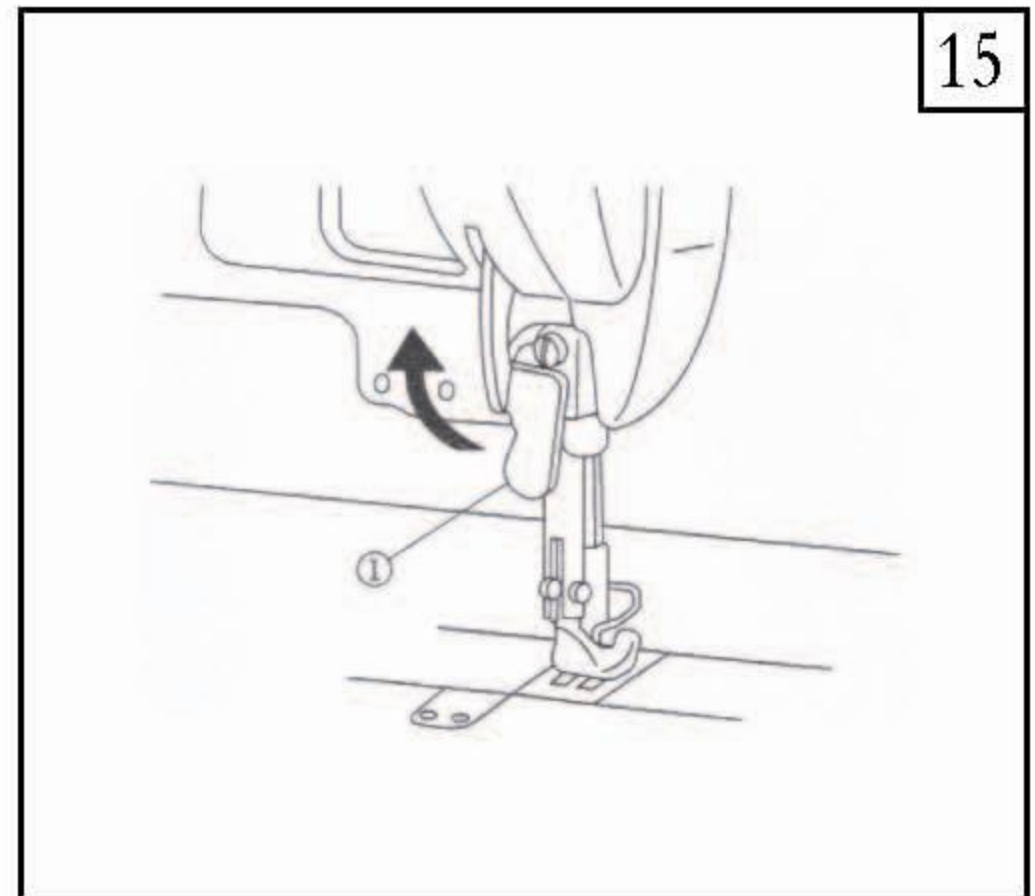


**16. Adjusting the take-up spring (See Figure 14)**

1. When changing the movement amount of the take-up spring
  - a. Loosen the fixed screw② of the stopper and move the stopper③ to the left or right in order to adjust the take-up spring①.
  - b. The movement amount of the take-up spring increases if moving the stopper to the right; otherwise it decreases.
2. When changing the strength of the take-up spring  
Loosen the nut④. Then turn the spring shaft⑤ anticlockwise, the strength increases; otherwise, it decreases.

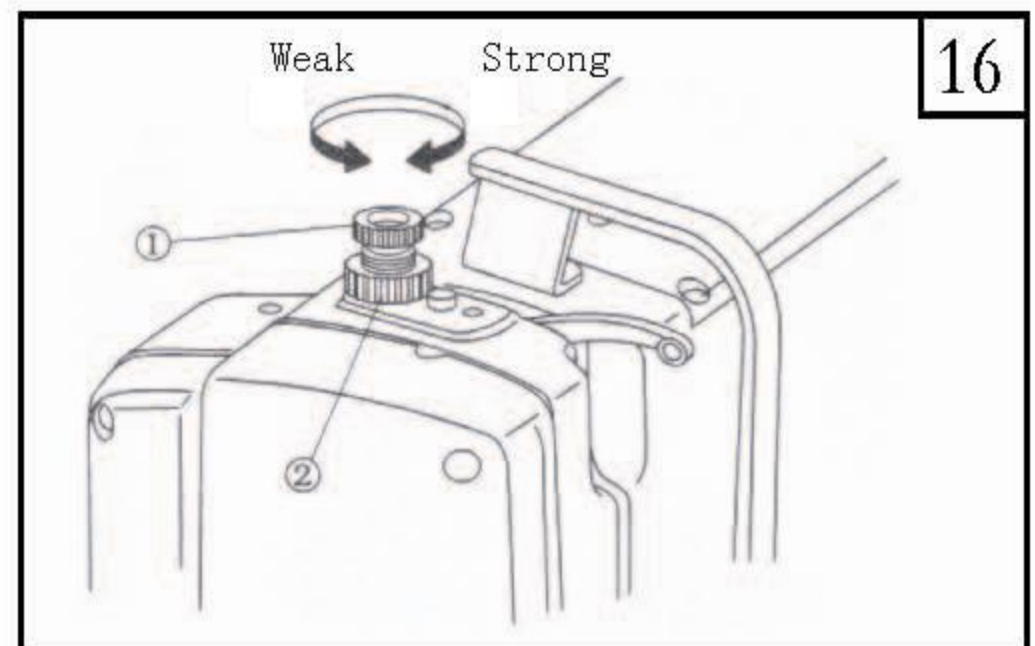
### 17. Lifting the pressure foot (See Figure 15)

1. When stopping the pressure foot in the rise position, uplift the pressure foot lifting bar① of presser spanner to the arrow position. Stop after the pressure foot rises 9mm.
2. Put down the presser spanner when lowering the pressure foot. It will be back to the original position.



### 18. Adjusting the pressure of the pressure foot (See Figure 16)

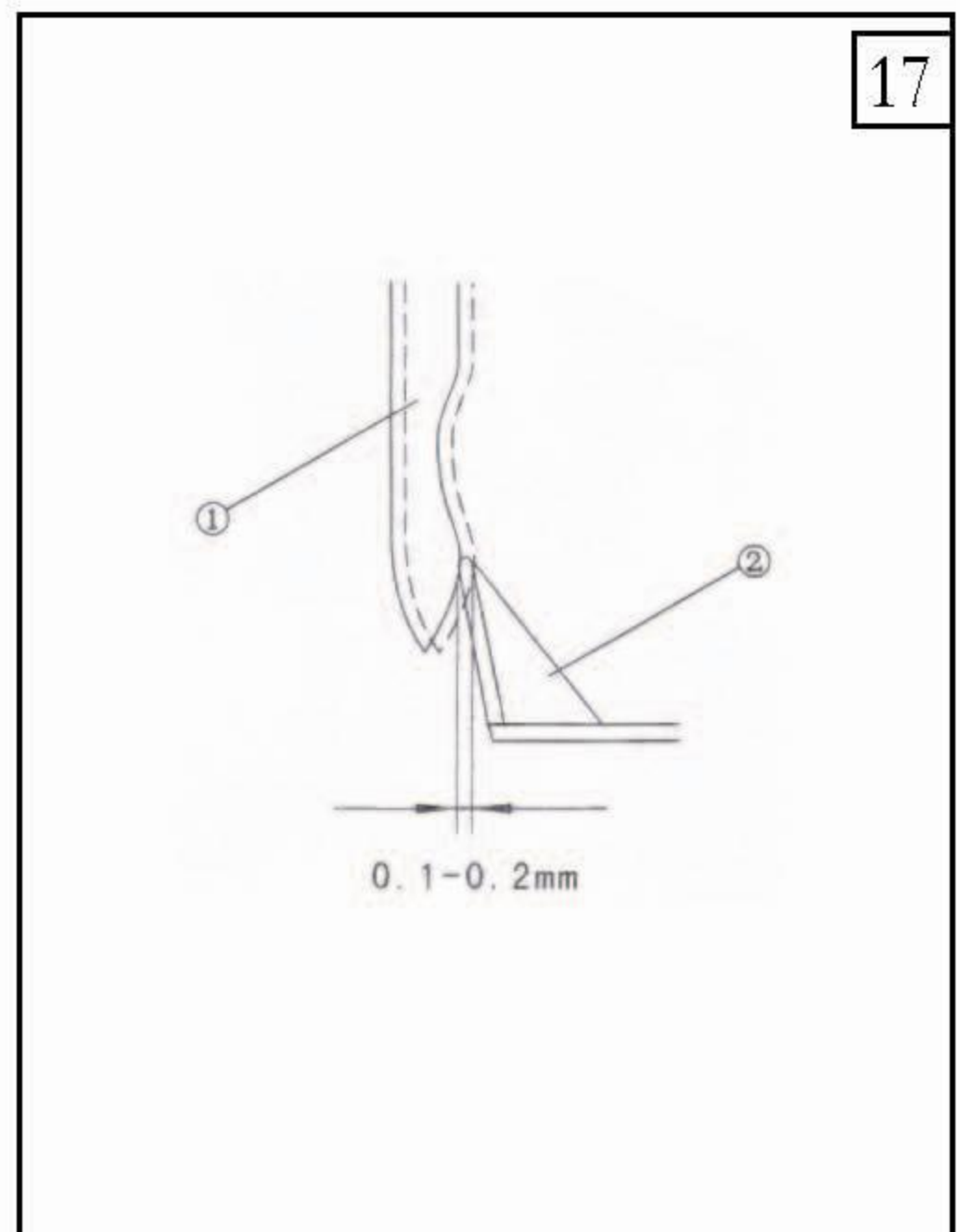
Move the pressure foot adjusting screw① to the right, than the pressure increases; otherwise, it decreases. Tighten the fixed nut② after adjusting.



### 19. Adjusting the hook needle bed (See Figure 17)

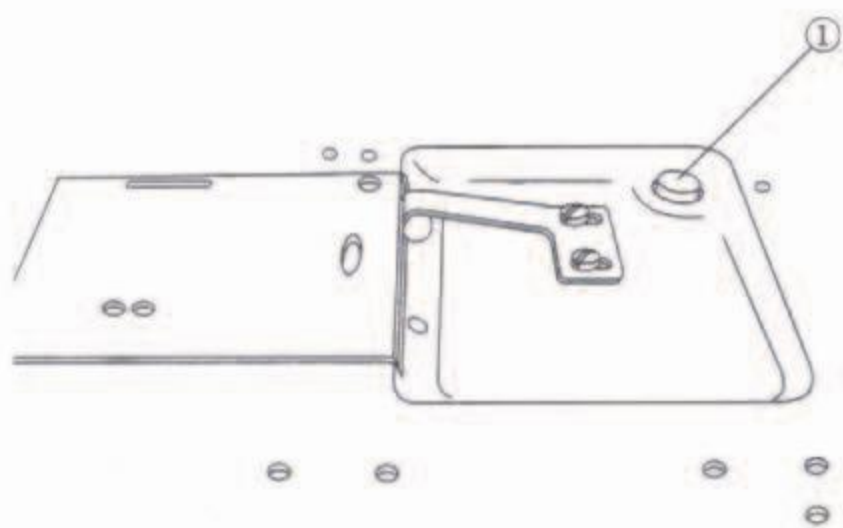
Please confirm the position of the needle bed after changing the hook. When it is in standard position, the hook needle bed② is about 0.1~0.2mm away from the side of the needle. If it is incorrect, please curve the hook needle bed for adjusting.

1. When curving the hook needle bed inwards, insert the screwdriver into the outside of the hook needle bed.
2. When curving the hook needle bed outwards, insert the screwdriver into the inside of the hook needle bed.





18



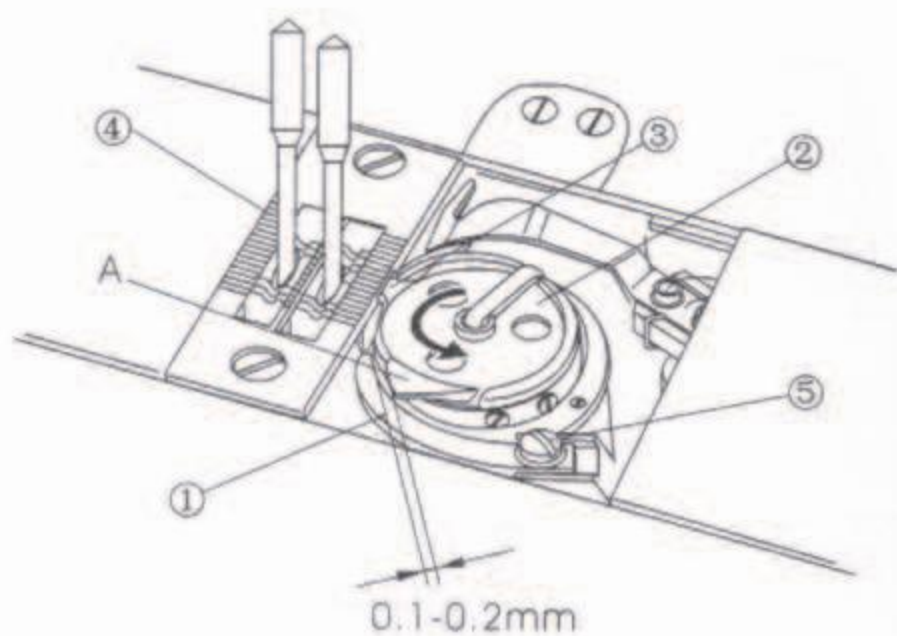
## 20. Resetting of the safety device (See Figure 18)

During the sewing, the safety device starts if exerting over-force on the hook. The hook of driving wheel fails to work at the moment. Please eliminate the failures prior to resetting after the safety device starts.

1. Press the button① on the head and reverse the driving wheel with force.
2. Resetting is finished after you hear the sound of crack.

Note: Run the driving wheel with hands to confirm whether the button① is reset.

19



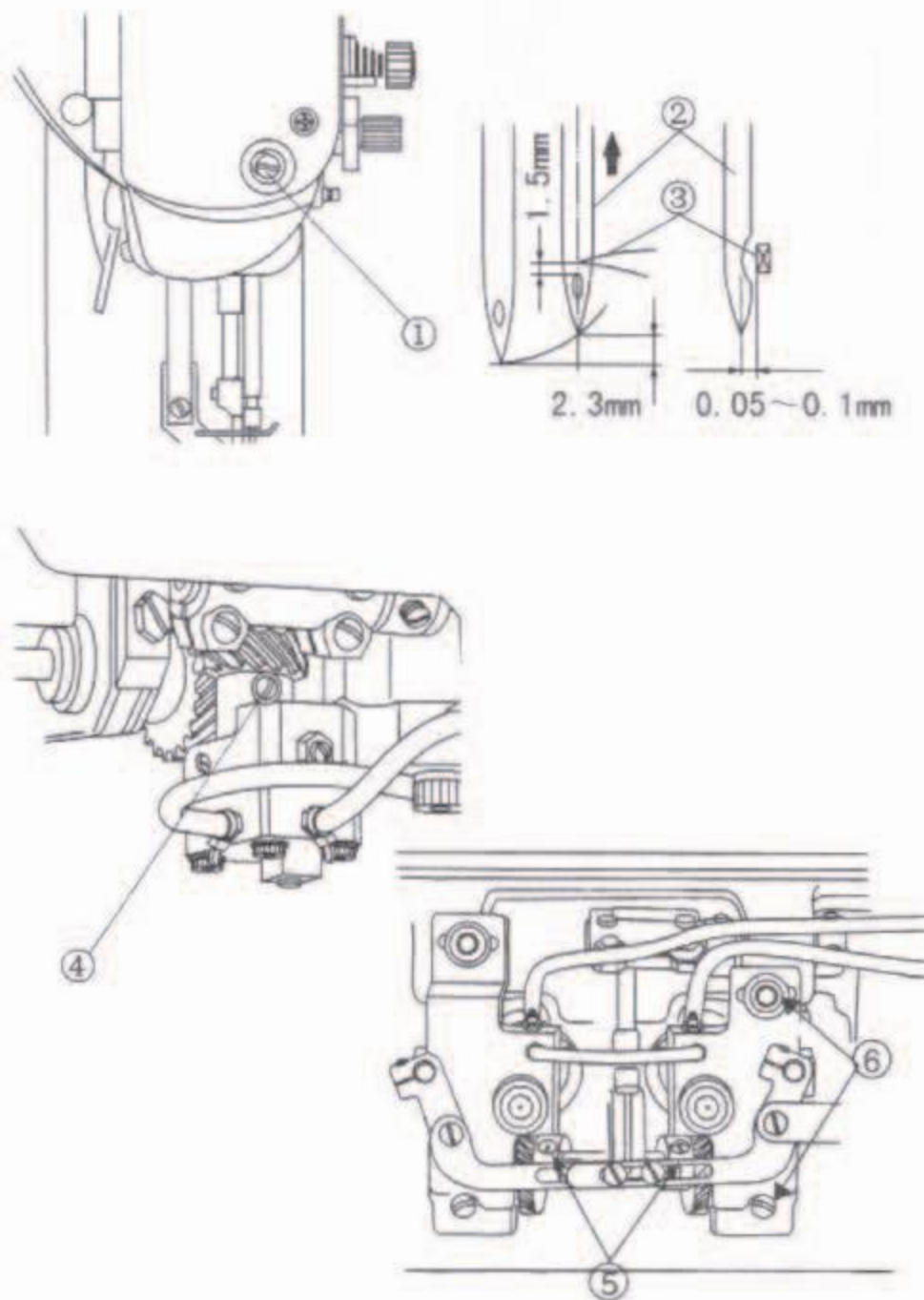
## 21. Adjusting the position of thread separation hook (See Figure 19)

1. Turn the driving wheel to the normal direction and transfer the thread separation hook① to the final position.
2. Turn the hook cover② to the arrow position and make the hook stopper③ up against the slot of the needle bed④.
3. Loosen the fixed screw⑤ of the thread separation slot and adjust the clearance between the thread separation hook and the bulge A of hook cover to 0.1~0.2mm.

## 22. Relations between the needle and the hook (See Figure 20)

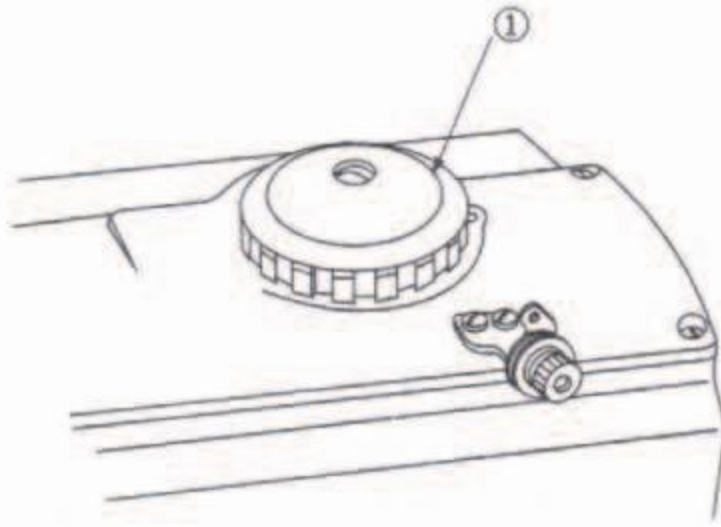
20

1. Turn the adjusting knob of needle distance to 0.
2. Turn the driving wheel. After the lowest point of the needle bar rises to 2.3mm, loosen the needle bar joint screw①. Adjust the distance from the upper part of the needle hole of needle② to the hook top③ to 1.5mm and then tighten.
3. Turn the driving wheel. Rise the needle bar to 2.3mm from the lowest point. Adjust the centers of the hook top③ and the needle② to make them basically the same. Then tighten the fixed screws④ of two screw gears (smaller ones). Aim the first screw with V-shape front of the two fixed screws④ at the V-shape slot of the hook shaft. Then tighten and fix.
4. At the position where the centers of both the hook top③ and the needle② are basically the same, loosen the fixed screw⑥ of hook shaft pillow and then move it to the left or right in order to adjust the clearance between the hook top and the needle to 0.05~0.1mm. Then tighten the fixed screw⑥.
5. Loosen the fixed screw⑤ of two screw gears (bigger ones). Move the screw gear (bigger one) to the left or right to make the centers of the hook top③ and the needle② basically the same. Tighten the fixed screw⑤. Aim the first screw of two fixed screws⑤ at the flat part of the lower shaft and then tighten.





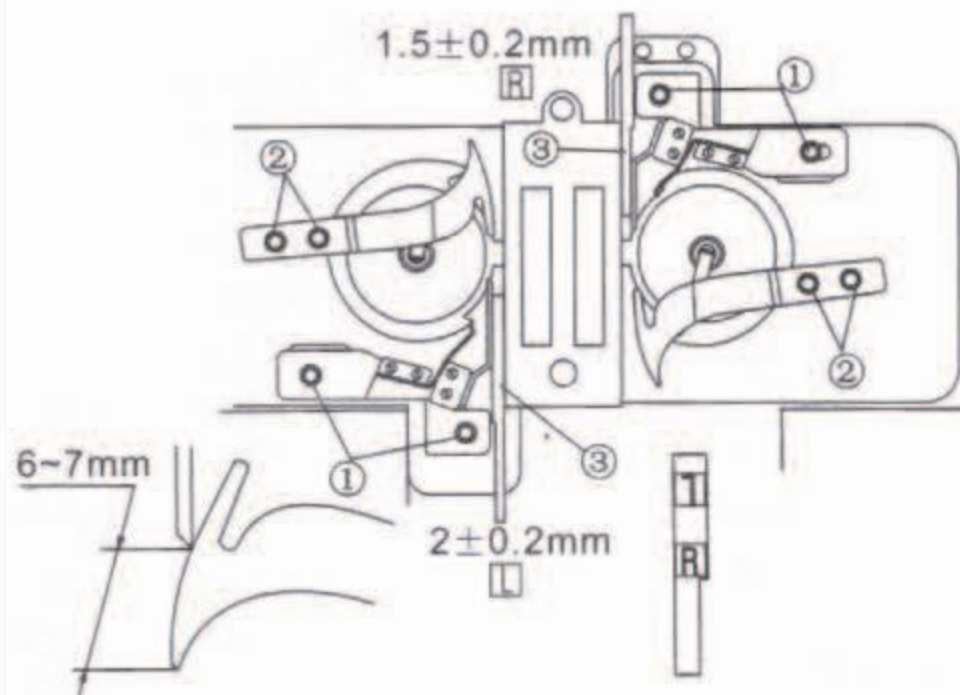
21



### 23. Adjusting the alternation amount of the pressure foot (See Figure 21)

Regulate the rise amount with adjusting tray①. Turn clockwise, the rise amount increases; otherwise, it decreases.

22



### 24. Adjusting the cutter (See Figure 22)

Adjusting the position of fixed cutter:

Loosen the fixed screw① of fixed cutter holder with the right and left sides of the fixed cutter front end respectively  $1.5\pm 0.2\text{mm}$  and  $2\pm 0.2\text{mm}$  away from the needle bed front end. The front and back of the cutter holder are up against the stairs of the shaft pillow and tighten the fixed screw①. Please use the face R of fixed cutter scale③ attached to determine the distance.

Please use the face R of fixed scale③ for the right side and face L for the left side.

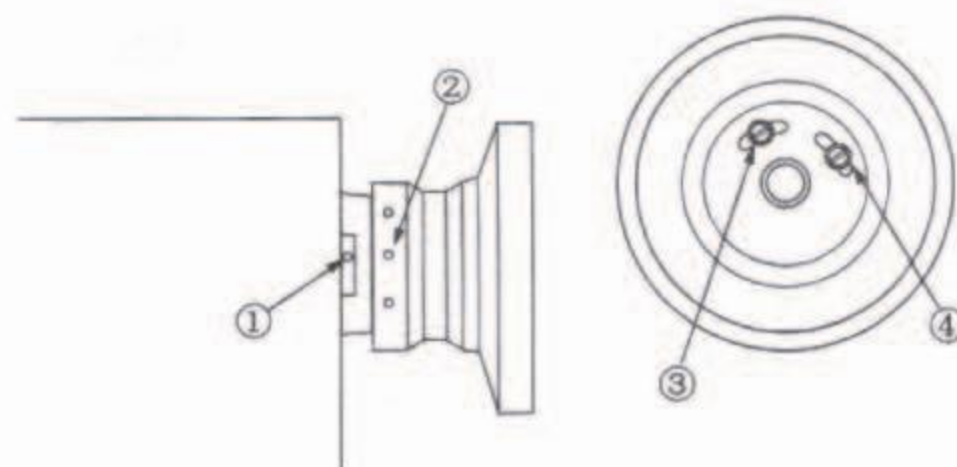
Adjust the pressure of cutter:

Loosen the fixed screw② of the moveable cutter. Turn the upper wheel and shift the moveable cutter to adjust its pressure. If the distance from the front end of moveable cutter to the front end of fixed cutter is 6~7mm, the cutter pressure is standard.

## 25. Confirming the stop position (See Figure 23)

1. Adjust the stop position when the machine cover scale① is the same as the upper wheel scale②. As for the upper wheel scale, please refer to the relevant list.
2. When adjusting the position of the upper stop needle, please use screw③. When adjusting the position of the lower stop needle, please use screw④.

23



Upper wheel scale list

White-white center	Position of upper stop needle
Yellow	Position of lower stop needle
Red	Used for adjusting the cutting thread cam
Colorless	Reverse the position of lifting needle

## 26. List of sewing speed

Up-and-down alternation amount	Stitch: less than 6mm	Stitch: 6mm~9mm
Less than 2.5mm	2,500rpm	1,800rpm
2.5mm~4mm	2,200rpm	1,800rpm
4mm~4.75mm	1,800rpm	1,800rpm
4.75mm~6.5mm	1,600rpm	1,600rpm

Set the maximum revolution according to different conditions. Please don't exceed the set value.



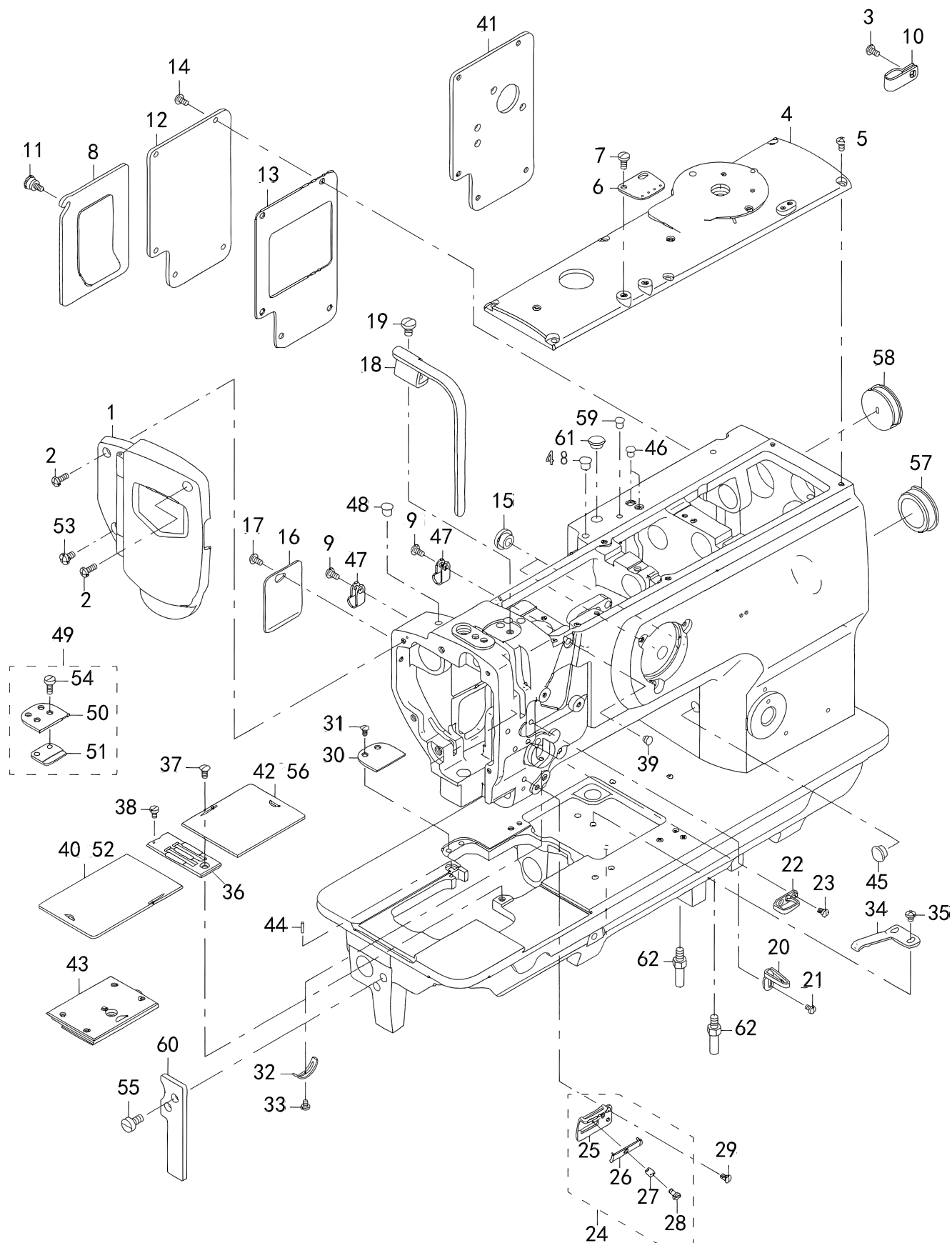
## 27. Sewing problems and troubleshooting

Problems	Causes	Troubleshooting
<p>1. Broken stitching (feeding thread residue of 2~3mm on the back of the fabric)</p>	<p>①Scars on the thread, needle top, hook top and the fixed slot on the hook inner circle of the needle bed. ②Strong upper tension. ③The needle touches the hook top. ④The oil is insufficient in the hook. ⑤Weak feeding thread tension. ⑥Powerful take-up spring and small transfer amount. ⑦Over fast or over slow synchronization of the needle and the hook.</p>	<p>○Polish the scars on the hook top with fine sand paper. File the inner circle fixing slot of the hook of the needle bed. ○Reduce the feeding thread tension. ○Refer to the content in 19. Relations between the Needle and the Hook. ○Adjust the oil quantity (Refer to the content in 7. Oiling.) ○Increase the feeding thread tension. ○Weaken the take-up spring and increase the movement amount. ○Refer to the content in 19. Relations between the Needle and the Hook.</p>
<p>2. Skipped stitching</p>	<p>①Over fast or over slow synchronization of the needle and the hook. ②Weak pressure for the pressure foot. ③Incorrect clearance between the upper part of the needle hole and the hook top. ④Wrong needle type.</p>	<p>○Refer to the content in 19. Relations between the Needle and the Hook. ○Tighten the adjusting screw of the pressure foot. ○Refer to the content in 19. Relations between the Needle and the Hook. ○Change to a little bit bigger needle.</p>
<p>3. poor stringing</p>	<p>①Not threading under the thread tension spring of the hook cover. ②Poor processing of the thread. ③The hook core doesn't slide. ④Weak bottom thread tension. ⑤Strong bottom thread winding. ⑥Damaged needle top.</p>	<p>○Refer to the content in 9. Threading of the Bottom Thread. ○Polish with fine sand paper or file. ○Change the hook core or hook. ○Increase the bottom thread tension. ○Decrease the bottom thread winding tension. ○Change the needle.</p>



# **PARTSBOOK**

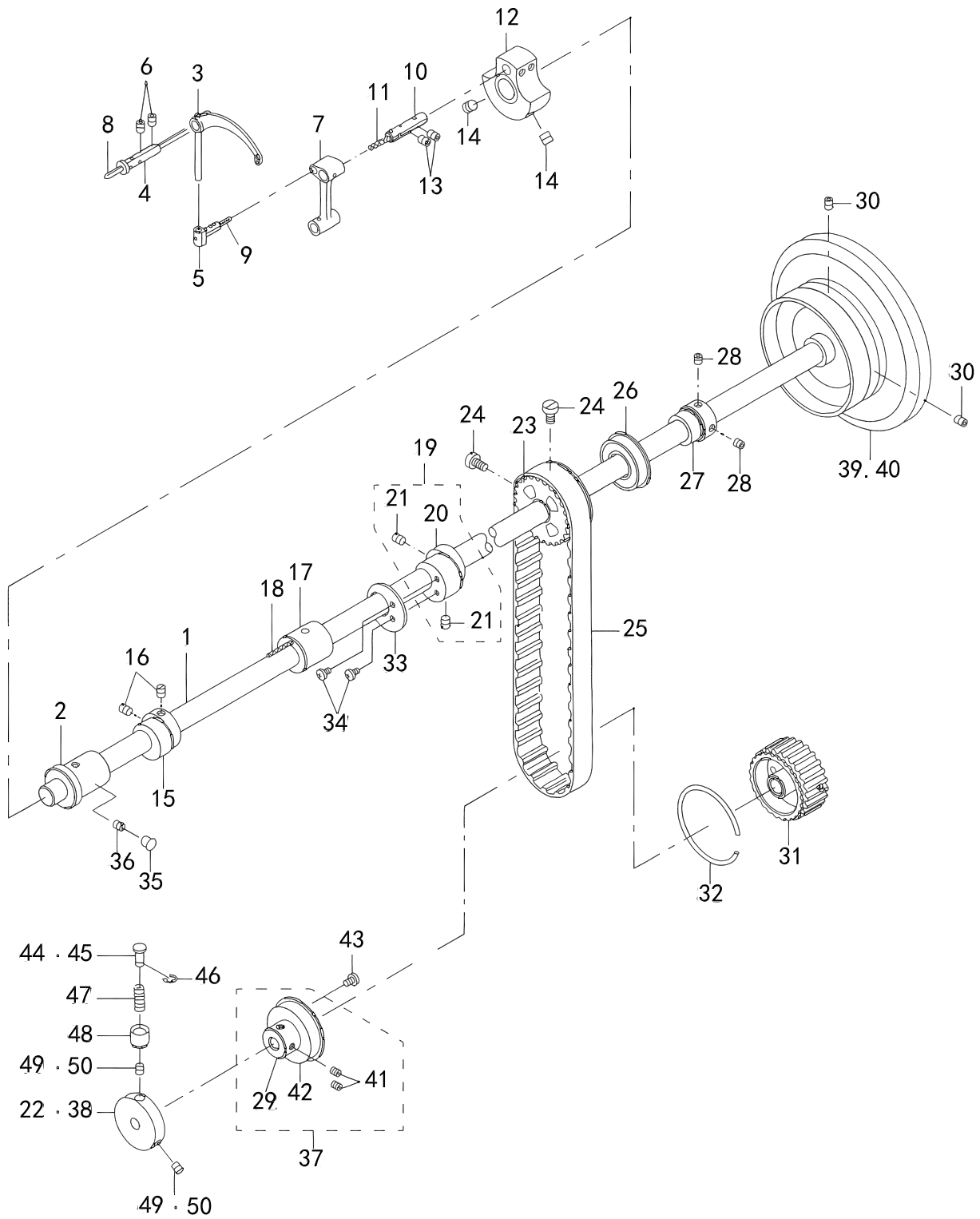
# 1. Frame & miscellaneous cover



1		40016798	FACE PLATE ASM.	1
2		SS4111215SP	SCREW 11/64-40 L=12	2
3	#04	SS4110815SP	SCREW 11/64-40 L=8	1
4		21331301A	TOP COVER B	1
5		SS4110815SP	SCREW 11/64-40 L=8	6
6		21355904	ARM THREAD GUIDE	1
7		SS7621040SP	SCREW 3/16-32 L= 9.5	2
8	#02	21331756	WINDOW PLATE A ASM.	1
9	#04	SS4110815SP	SCREW 11/64-40 L=8	2
10	#04	D2112555B00	CORD HOLDER LARGE	1
11		21331202	SETSCREW	1
12	#02	21331806	WINDOW PLATE B	1
13	#02	21332002	WINDOW PLATE PACKING B	1
14		SS4110815SP	SCREW 11/64-40 L=8	5
15		TA1250504RO	RUBBER PLUG	2
16	#02	21332309	SIDE COVER	1
17	#02	SS4110815SP	SCREW 11/64-40 L=8	1
18		21331608	BALANCE COVER	1
19		SS7150910TP	SCREW 15/64-28 L=9	1
20		21355805	THREAD GUIDE	1
21		SS5090610SP	SCREW 9/64-40 L=6	1
22		B1129051000	FRAME THREAD GUIDE UPPER	1
23		SS2090710TP	SCREW 9/64-40 L=7.2	2
24		21408554	THREAD GUIDE ASM.	1
25		21408505	THREAD GUIDE PLATE	(1)
26		17912106	NEEDLE THREAD PRESSER PLATE	(1)
27		B1132521000	THREAD PRESSER PLATE SPRING	(1)
28		SD0380551SL	HINGE SCREW D= 3.80 H= 5.5	(1)
29		SS2090710TP	SCREW 9/64-40 L=7.2	1
30		22651202	AUXILIARY COVER	1
31		SS2090710TP	SCREW 9/64-40 L=7.2	2
32		B3138512000	TAKE-UP SPRING ADJUSTING PLATE	1
33		SS7090520TP	SCREW 9/64-40 L= 4.5	1
34		B1111563000	BED SLIDE SPRING	1
35		SS4110515SP	SCREW 11/64-40 L=5	2
36		21366406	NEEDLE PLATE 3/8	1
37		SS2110920TP	SCREW 11/64-40 L=8.5	1
38		SS6090630SP	SCREW 9/64-40 L=6	1
39		TA1050504RO	CAP	2
40	#02	21365606	BED SLIDE (LEFT) A	1
41	#04	21348909	WIDOW PLATE D	1
42	#02	21365002	BED SLIDE (RIGHT) A	1
43		22650055	BED SLIDE ASM.	1
44		B1104051000	THROAT PLATE PIN	1
45		TA1050504RO	RUBBER PLUG	1
46		TA1050504RO	RUBBER PLUG	2
47	#04	HX00123000A	CABLE CLIP	2
48		TA1050504RO	RUBBER PLUG	2
49	#02	23208556	AUXILIARY COVER ASM.	1
50	#02	23208507	AUXILIARY COVER	(1)
51	#02	23208606	SLIDING PLATE SUPPORT	(1)
52	#04	020152	BED SLIDE (LEFT) A	1
53		SS4111215SP	SCREW 11/64-40 L=12	1
54	#02	SS6111140SP	SCREW 11/64-40 L=11	(2)
55		SS6151210SP	SCREW 15/64-28 L=12	2
56	#04	020156	BED SLIDE (RIGHT) A	1
57		22619100	CAP	1
58		10201200	RUBBER PLUG	1
59		TA1050504RO	RUBBER PLUG	1
60		21361407	BED SUPPORT PLATE	1
61		TA1050504RO	RUBBER PLUG	1
62		22602601	BED SCREW STUD	2

#02 FOR WF1516    #04 FOR WF1516AUT

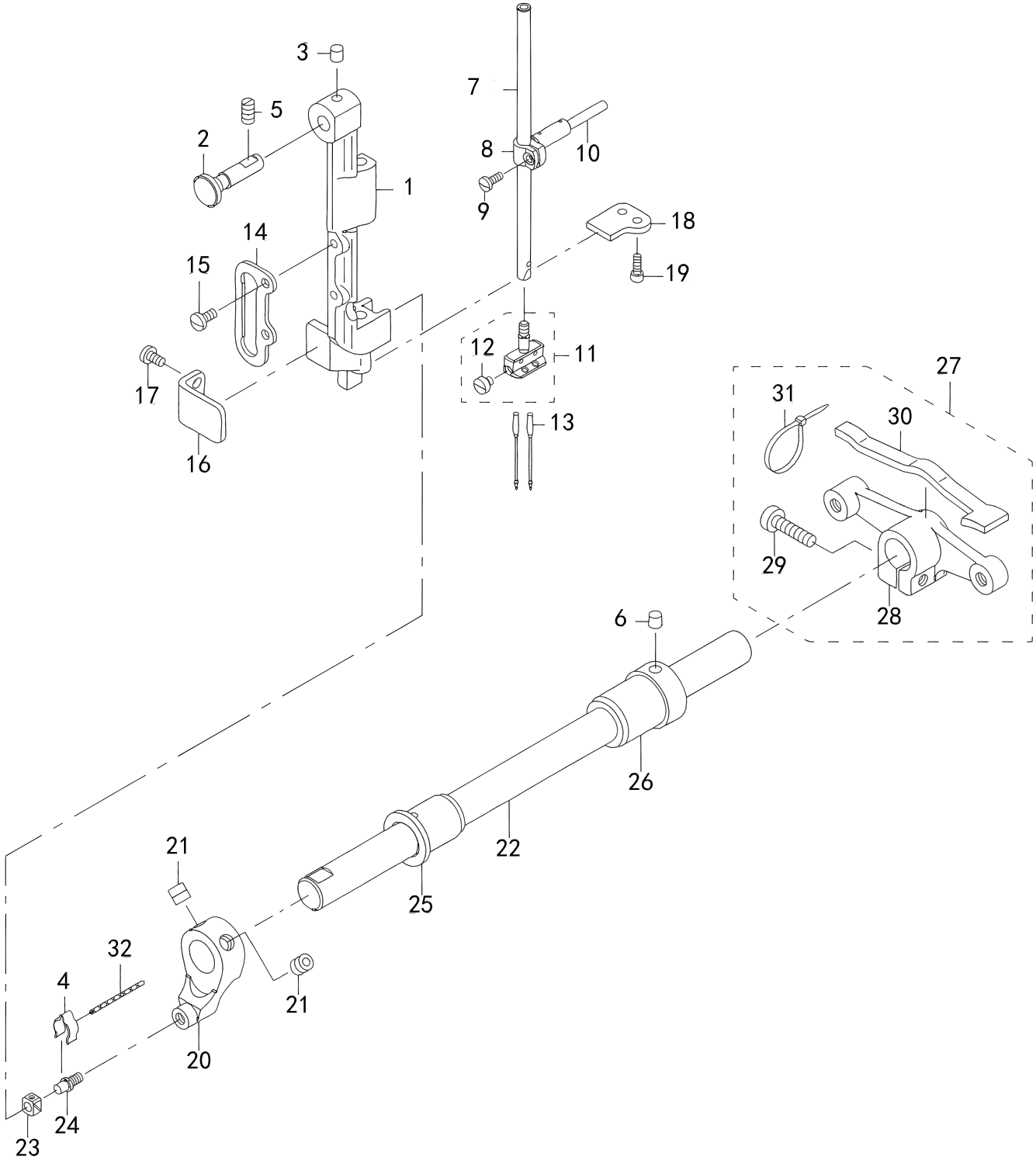
## 2. Upper shaft, lower shaft driving & balance components



1		21332705A	UPPER SHAFT	1
2		21333000	UPPER SHAFT FRONT METAL	1
3		B1905520000	THREAD TAKE-UP LEVER	1
4		B1906051000	TAKE-UP LEVER PIN	1
5		B1907057000	THRUST PIN	1
6		SS8150822TP	SCREW 15/64-28 L=8	1
7		21339106	NEEDLE BAR CRANK ROD	1
8		CQ303000000	OIL WICK	0.45
9		CQ202000000	OIL WICK	0.03
10		B1210051000	NEEDLE BAR CRANK PIN	1
11		CQ505000000	OIL WICK	1
12		21332507	COUNTER WEIGHT (A) (36MM)	1
13		SS8150822TP	SCREW 15/64-28 L=8	2
14		SM8080812TP	SCREW M8X8	2
15		21339502	UPPER FEED CAM (3.5)	1
16		SS8660810TP	SCREW 1/4-40 L=8	2
17		21333109	UPPER SHAFT INNER METAL	1
18		CQ202000000	OIL WICK	0.15
19		21336557	ECCENTRIC CAM A ASM.	1
20		21336508	ECCENTRIC CAM A	1
21		SS8660810TP	SCREW 1/4-40 L=8	2
22	#02	21333703	SAFETY CLUTCH DISC	1
23		22604904	UPPER SPROCKET	1
24		SS6661110SP	SCREW 1/4-40 L=11	2
25		22604300	TIMING BELT	1
26		B1203512000	BUSHING REAR	1
27		21402300	UPPER SHAFT BEARING HOOK	1
28		SM8060602TP	SCREW M6X6	2
29		40038702	THRUST COLLAR	(1)
30		SS8150822TP	SCREW 15/64-28 L=8	2
31		022005	SPROCKET WHEEL	1
32		B1214019000	SPROCKET RING	1
33		21353008	HORIZONTAL FEED CAM COVER	1
34		SS7110710SP	SCREW 11/64-40 L=7	2
35		TA0750704R0	RUBBER PLUG	1
36		SS8150710TP	SCREW 15/64-28 L=7	1
37		40038700	THRUST COLLAR ASM.	1
38	#04	21333901	SAFETY CLUTCH DISC	1
39	#02	21334008	FLYWHEEL	1
40	#04	21427000	FLYWHEEL	1
41		SS8661030SP	SCREW 1/4-40 L=10	(2)
42		SB120000200	BEARING 20X42	1
43		SS7120760SP	SCREW 3/16-28 L= 7.0	2
44	#02	B1312563000A	SAFETY CLUTCH PUSH BUTTON	1
45	#04	21333802	SAFETY CLUTCH PUSH BUTTON	1
46		RE0500000K0	E-RING	1
47		B1639051000	SPRING	1
48		B1313055000	SAFETY CLUTCH KNOB SLEEVE	1
49	#02	SS8150710TP	SCREW 15/64-28 L=7	2
50	#04	SS8660530TP	SCREW 1/4-40 L= 4.5	2

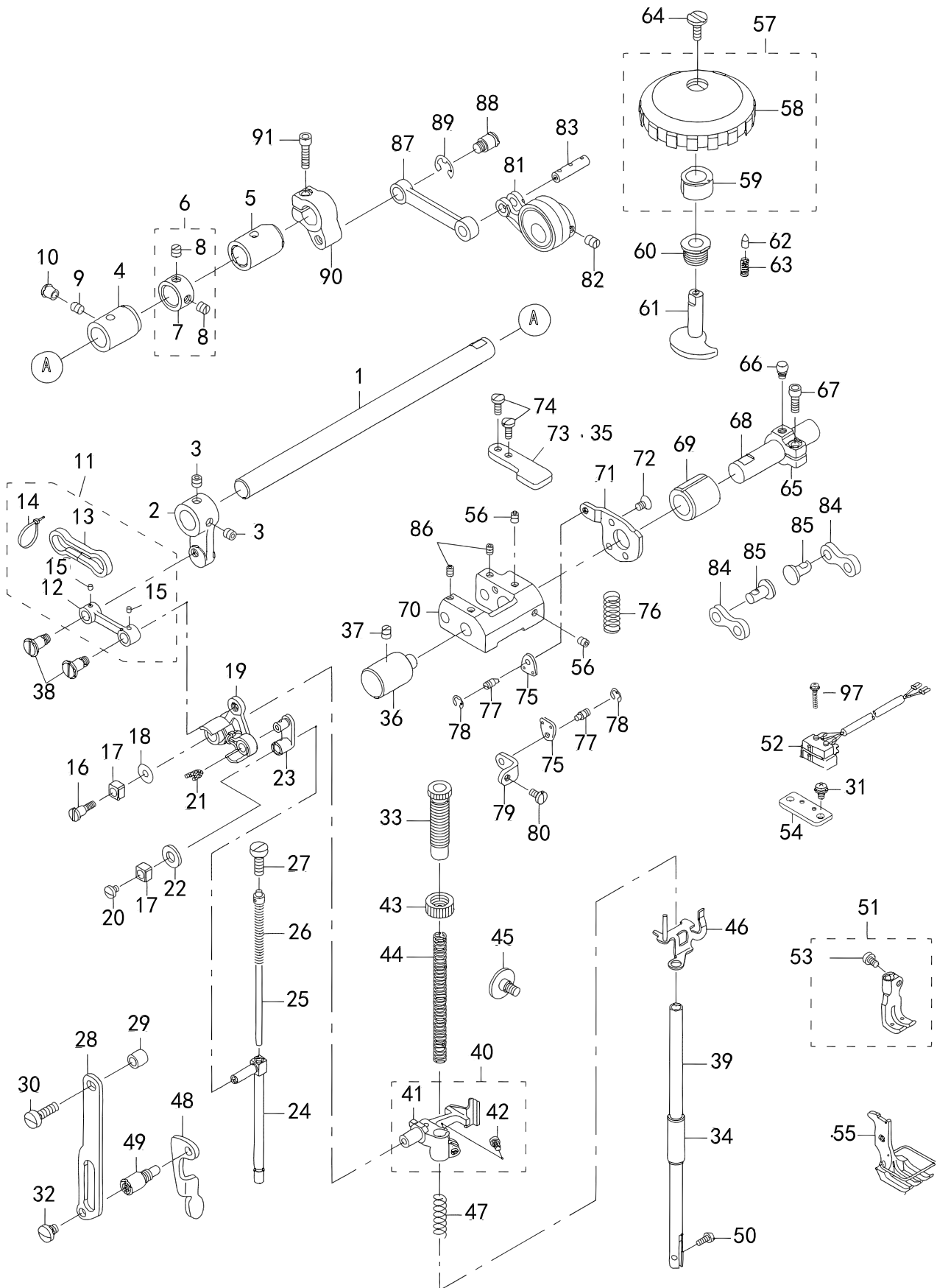
#02 FOR WF1516 #04 FOR WF1516AUT

### 3. Needle bar rocking



DESCRIPTION			
1	21362504	NEEDLE BAR FRAME	1
2	21405204	HINGE STUD	1
3	22814909	FELT	1
4	B1437051000	OIL WICK RETAINER	1
5	SS8151150TP	SCREW 15/64-28 L=10.5	1
6	22814909	FELT	1
7	B1401518000	NEEDLE BAR	1
8	B1411521000	NEEDLE ROD HOLDER	1
9	SS7090910SP	SCREW 9/64-40 L= 8.5	1
10	B1412051000	FELT	1
11	21368451	NEEDLE CLAMP 3/8 ASM.	1
12	SS6090410TP	SCREW 9/64-40 L= 3.5	2
13	MC372001600	NEEDLE SY3355 160	2
14	B1467563000	UPPER FEED BAR GUIDE	1
15	SS7110910TP	SCREW 11/64-40 L= 8.5	2
16	21388400	ROCKING BASE GUIDE	1
17	SS7110830SP	SCREW 11/64-40 L= 7.5	2
18	21338603	ROCKING BASE GUIDE (B)	1
19	SS6091022TP	SCREW	2
20	21338801	ROCKING FRONT ARM	1
21	SM8080812TP	SCREW	2
22	21338900A	ROCKING SHAFT	1
23	B1414232000	SQUARE BLOCK	1
24	B1410771000	STUD	1
25	21339304	ROCKING SHAFT FRONT METAL	1
26	40027746	BUSHING REAR	1
27	21339056	ROCKING REAR ARM ASM.	1
28	21339007	ROCKING REAR ARM	1
29	SS6152440SP	SCREW 15/64-28 L=23.5	-1
30	21347406	ROCKING REAR ARM FELT	1
31	EA9500B0100	CABLE BAND	2
32	CQ202000000	OIL WICK	0.05

# 4. Pressure adjusting & upper feed mechanism



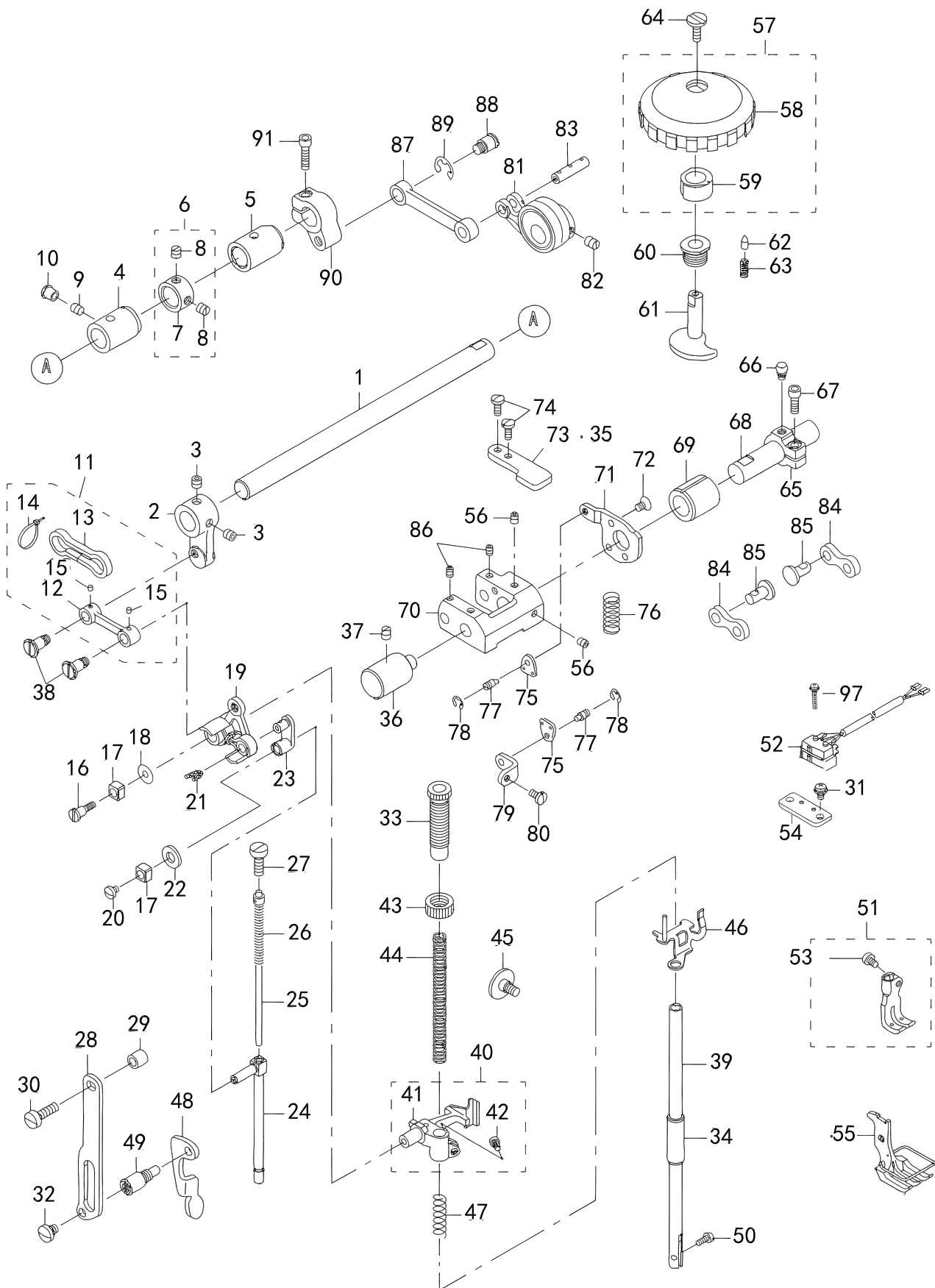


## DESCRIPTION

1	21340401A	UPPER FEED SHAFT	1
2	21340500	UPPER FEED FRONT ARM	1
3	SS8660612TP	SCREW 1/4-40 L=6	2
4	21341904	FRONT METAL	1
5	21378302	FEED SHAFT METAL	1
6	22904155	MAIN SHAFT THRUST COLLAR ASM.	1
7	22904106	MAIN SHAFT THRUST COLLAR	-1
8	SS8660610TP	SCREW 1/4-40 L=6	2
9	SS8150822TP	SCREW 15/64-28 L=7	1
10	TA0750704RO	RUBBER PLUG	1
11	40033027	UPPER FEED LINK ASM.	1
12	40033026	UPPER FEED LINK	-1
13	21347109	FELT	-1
14	EA9500B0000	CLIP CV-70S	-2
15	CQ3000000FO	OIL FELT	0
16	SD0640701SP	SCREW	1
17	B1414555000	SLIDE BLOCK	2
18	WP0501046SC	WASHER 5 X 13 X 1	1
19	40033029	TRIANGULAR LEVER ASM.	1
20	SS7110510SP	SCREW 11/64-40 L=5	1
21	CQ252000000	OIL WICK	0.02
22	10509701	FELT	1
23	40018341	WALKING BAR DRIVING LINK	1
24	40033030	WALKING BAR A	1
25	B14670530A0	WALKING BAR ASM.	1
26	B1468053000	WALKING BAR SPRING	1
27	SS6151780SP	SCREW 15/64-28 L=17.0	1
28	21406509	UPPER FEED GUIDE PLATE	1
29	26225201	ROLLER	
30	SS6151920SP	SCREW 15/64-28 L=19.0	1
31	#04 SM6040800SP	SCREW M4 L=8	2
32	SS7150740SP	SCREW 15/64-28 L=7	1
33	21340906	PRESSER ADJUSTING SCREW	1
34	B1510155000	PRESSER BAR LOWER BUSHING	1
35	21339700	UPPER FEED STOPPER PLATE	1
36	21337803	FEED ADJUSTING BASE SUPPORT	1
37	#04 40024852	VERTICAL DETECTOR SWITCH ASM	1
38	40018340	SCREW	2
39	B1501241H00	PRESSER BAR	1
40	40033032	PRESSER BAR HOLDER A ASM.	1
41	40033031	PRESSER BAR HOLDER A	1
42	SS7110910TP	SCREW 11/64-40 L= 8.5	1
43	22907604	PRESSER SPRING REGULATOR NUT	1
44	B1502246000	PRESSER SPRING	1
45	SD0800481SP	HINGE SCREW D= 8 H= 4.9	1
46	21341151	HOLDING PLATE COMPL.	1
47	B1462053000	THREAD RELEASE SPRING	1
48	21406103	PRESSER LIFTER LEVER	1
49	21406608	GUIDE PLATE SPACER	1
50	SS6090910TP	SCREW 9/64-40 L=9	1

#02 FOR WF1516 #04 FOR WF1516AUT

# 4. Pressure adjusting & upper feed mechanism

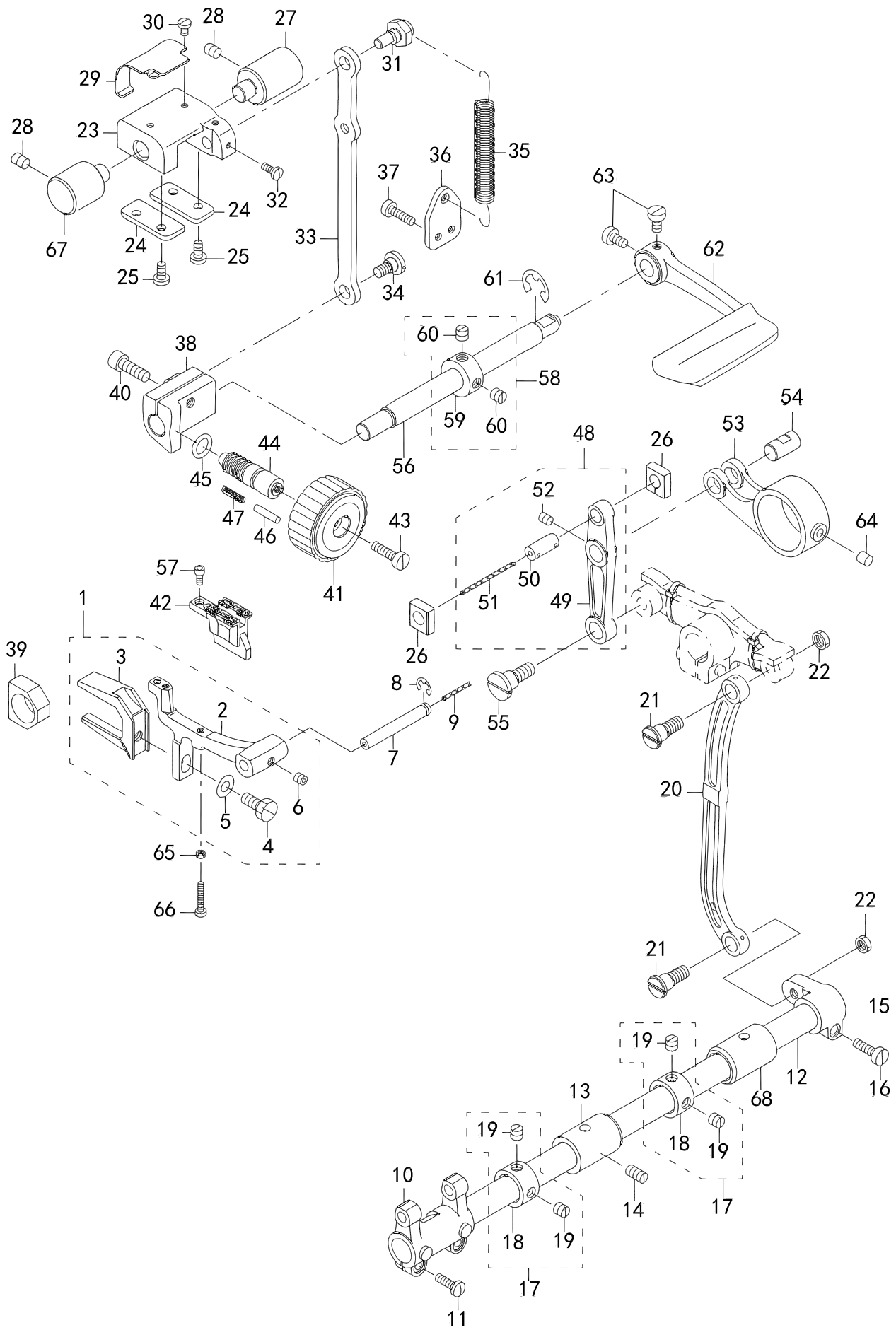


## DESCRIPTION

51		21372651	WALKING FOOT 1-1/4 ASM.	1
52	#04	020497	SCREW M2.5*16	2
53		SS6110710TP	SCREW 11/64-40 L= 6.5	1
54	#04	020494	VERTICAL DETECTOR SWITCH ASM.	1
55		21367958	PRESSER FOOT ASM. 3/8	1
56		SM8050602TP	SCREW M5 L=6	2
57		10774354	UPPER AND LOWER DIAL ASM.	(1)
58		10774305	VERTICAL DIAL	(1)
59		10774404	VERTICAL CAM	(1)
60		10715100	VERTICAL DIAL SHAFT BUSHING	1
61		10715001	VERTICAL ADJUSTING CAM	1
62		10715704	VERTICAL DIAL PIN	1
63		B152652700G	SPRING	1
64		SS6110630TP	SCREW 11/64-40 L=6	1
65		21341607	VERTICAL ADJUSTING ARM	1
66		10715308	PIN	1
67		SM6051402TP	SCREW M5X0.8 L=14	1
68		21341508	VERTICAL CHANGE BASE SHAFT	1
69		10718203	FEED SHAFT FRONT METAL	1
70		10714202	VERTICAL CHANGE BELT	1
71		21438106	STOPPER PLATE B	1
72		SM1050801SR	SCREW M5 L=8	1
73		21339700	UPPER FEED STOPPER PLATE (B)	1
74		SS4110815SP	SCREW	2
75		10713501	SPRING HOOK	2
76		10716504	VERTICAL SHAFT SPRING	1
77		B3416552000	CONNECTING ROD HINGE SCREW	2
78		RE0500000K0	E-RING	2
79		21339809	UPPER FEED DOG SPRING HOOK	1
80		SS7110830SP	SCREW 11/64-40 L= 7.5	1
81		10713766	ECCENTRIC ROD (SET)	1
82		SS8660810TP	SCREW 1/4-40 L=8	2
83		10713808	CONNECTION LINK PIN B	1
84		10714509	CONNECTION LINK B	2
85		10714608	CONNECTION LINK B SUPPORT PIN	2
86		SM8050602TP	SCREW M5 L=6	2
87		21340005	UPPER FEED LINK (B)	1
88		21048707	HINGE SCREW	1
89		RE0800000K0	E-SHAPED SNAP RING (8MM)	1
90		21340302	UPPER FEED REAR ARM (B)	1
91		SM6052002TP	SCREW M5 L=20	1

#02 FOR WF1516 #04 FOR WF1516AUT

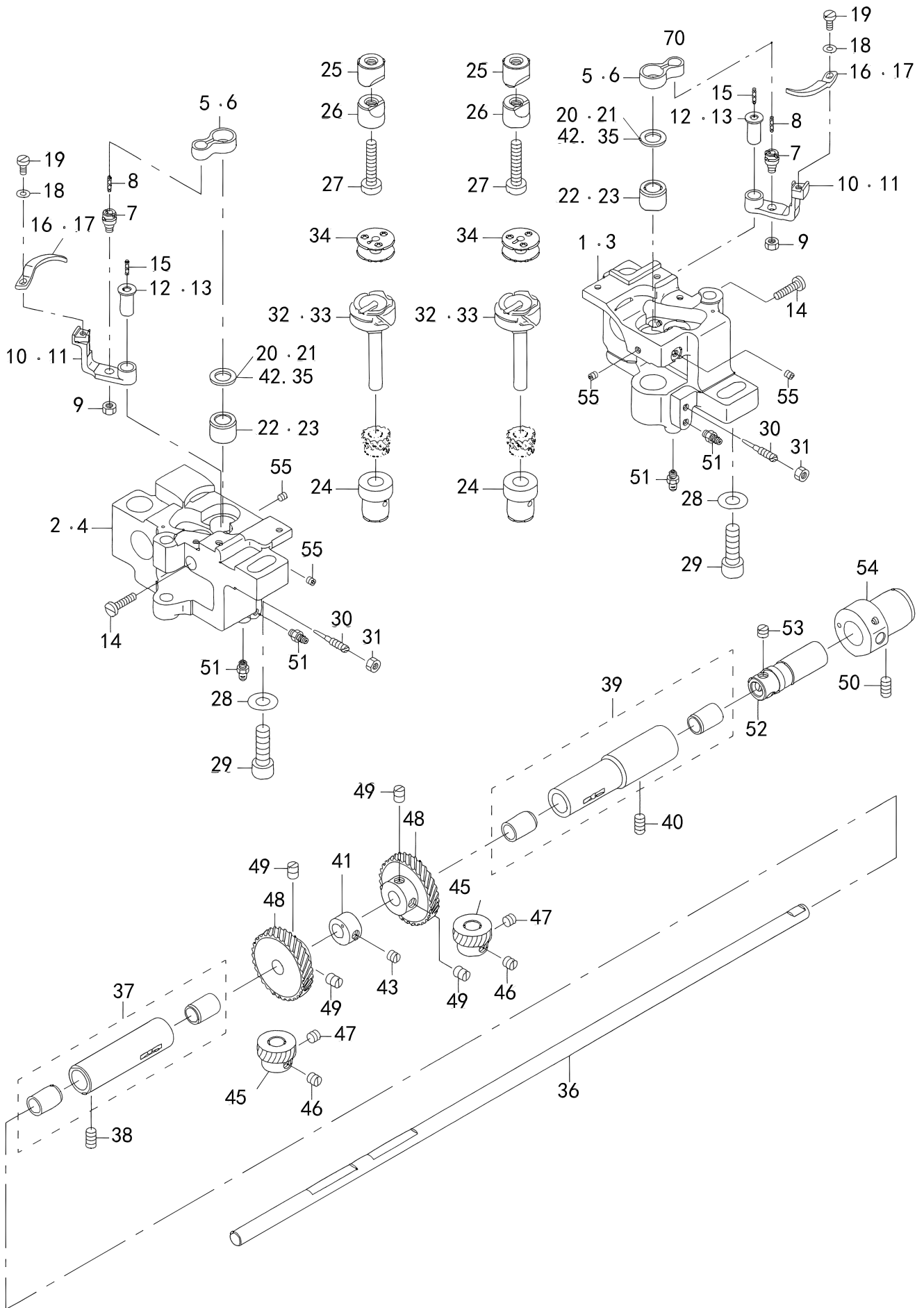
# 5. Feed mechanism



## DESCRIPTION

1	21364252	FEED BASE ASM.	1
2	21364203	FEED BASE	1
3	10107902	FEED BAR FORK	1
4	SS9151440CP	SCREW 15/64-28 L=14	(1)
5	WP0621016SD	WASHER 6. 2X13X1	(1)
6	SM8050502TP	SCREW M5 L=5	(1)
7	B1604012000A	FEED BAR SHAFT	1
8	RE0500711KP	SNAP RING 5	1
9	CQ202000000	OIL WICK	0.14
10	21364104	FEED ROCKER	1
11	SS7111410SP	SCREW 11/64-40 L=14	2
12	22609408A	FEED ROCK SHAFT	1
13	21378302	FEED SHAFT METAL	1
14	020514	SCREW 11/64-40 L=8.5	2
15	22609309	FEED ROCKER SHAFT CRANK	1
16	SS6121610TP	SCREW 3/16-28 L=15.5	1
17	22904155	MAIN SHAFT THRUST COLLAR ASM.	2
18	22904106	MAIN SHAFT THRUST COLLAR	(1)
19	SS8660610TP	SCREW 1/4-40 L=6	(2)
20	10205201	NEEDLE BAR FRAME ROD	1
21	SD0900701TP	HINGE SCREW D= 9 H= 7	1
22	NS6680320SP	NUT 9/32-28	1
23	21337506	FEED ADJUSTING BASE	1
24	21337704	FEED ADJUSTING BASE COVER	2
25	SS7110910TP	SCREW 11/64-40 L= 8.5	4
26	21337407	SQUARE BLOCK	2
27	21337803	FEED ADJUSTING BASE SUPPORT	2
28	SS8150822TP	SCREW 15/64-28 L=8	2
29	21338306	FELT SUPPORT	1
30	SS5090610SP	SCREW 9/64-40 L=6	2
31	21337902	ECCENTRIC PIN	1
32	SS709010TP	SCREW 9/64-40 L= 8.5	2
33	21337308	FEED ADJUSTING ROD	1
34	SD0800402TP	HINGE SCREW D= 8 H= 4	1
35	21337605	SPRING	1
36	21338009	SPRING HOOK	1
37	SS7111410TP	SCREW 11/64-40 L=16	2
38	21337209	FEED ADJUSTING A	1
39	B1610512000	FEED DRIVING SLIDE BLOCK	1
40	SM6061802TP	SCREW M6 L=18	1
41	21336805	FEED DIAL A	1
42	21366901	FEED DOG 3/8	1
43	SS6121860SP	SCREW 3/16-28 L=18	1
44	11009909	FEED REGULATOR SCREW	1
45	R0092270200	RUBBER RING	1
46	22912000	FEED REGULATOR PIN	1
47	22912109	FEED REGULATOR PIN SPRING	1
48	21336656	FEED LINK ASM.	1
49	21336607	FEED LINK	(1)
50	B1418761000	CONNECTING FORKED LINK PIN	1
51	CQ202000000	OIL WICK	0.04
52	SM8050502TP	SCREW M5X6	1
53	21336706	FEED ROD A	1
54	21338207	FEED LINK PIN	1
55	SD1000801SH	HINGE SCREW D=10 H=8	1
56	21336300	BACKWARD FEED LEVER SHAFT	1
57	SS6580752TP	SCREW 1/8-40 L=7	2
58	CS1201010SH	THRUST COLLAR ASM. D=12 W=10	1
59	CS1201011SH	THRUST COLLAR D=12 W=10	(1)
60	SS8660610TP	SCREW 1/4-40 L=6	(2)
61	RE0900000K0	E-RING 9	1
62	21388004	REVERSE FEED CONTROL LEVER	1
63	SS6120930TP	SCREW 3/16-28 L=9	2
64	22814909	FELT	1
65	NS6080210SP	NUT 1/8-44	1
66	SS6081810SP	SCREW 1/8-44 L=18.0	1
67	21430400	FEED ADJUSTING BASE SUPPORT	1
68	020568	FEED SHAFT METAL	1

# 6. Hook shaft & upper feed mechanism

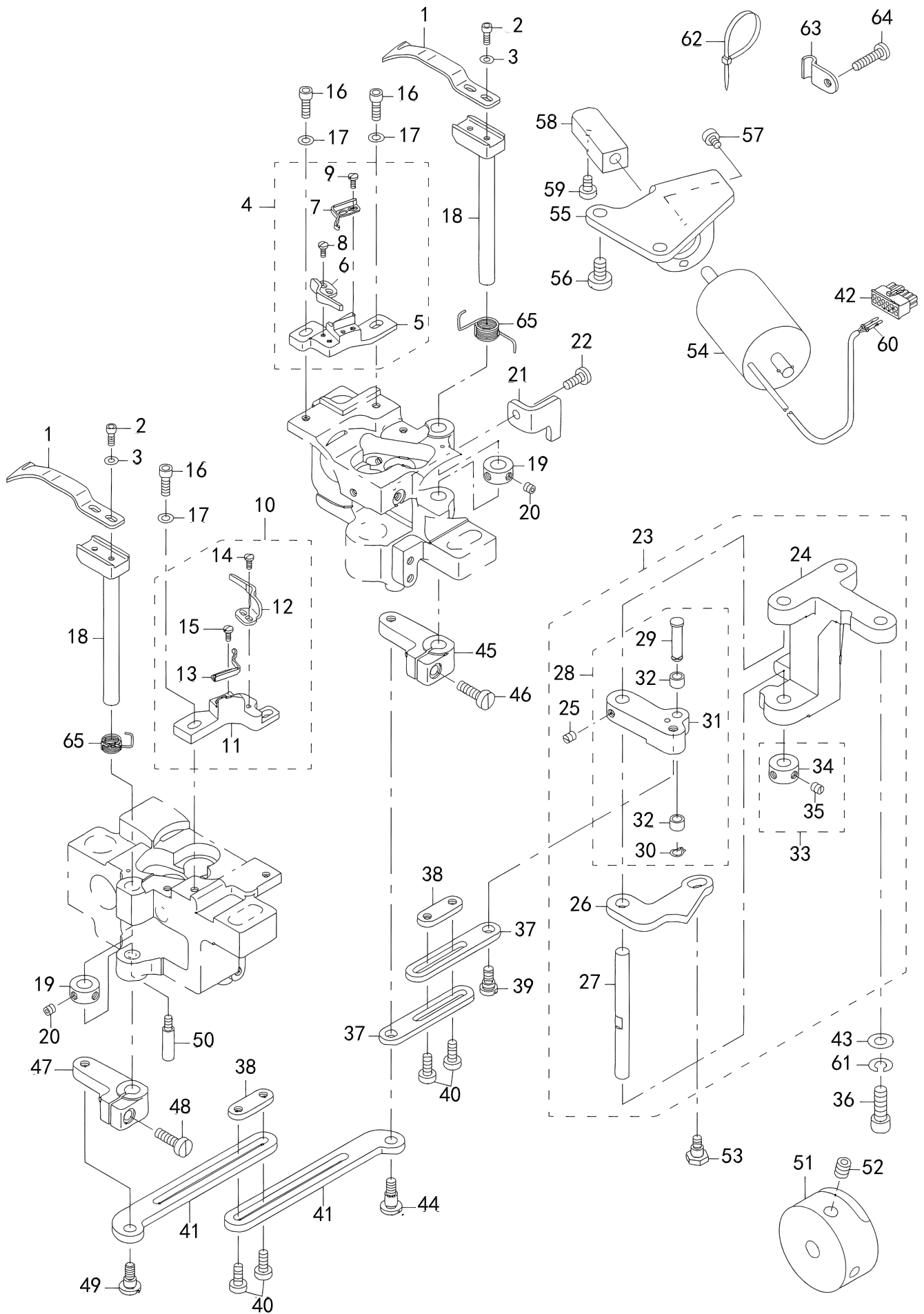


## DESCRIPTION

1	#04	21390000	HOOK SHAFT BASE (RIGHT)	1
2	#04	21390109	HOOK SHAFT BASE (LEFT)	1
3	#02	21335104	HOOK SHAFT BASE (RIGHT)	1
4	#02	21362108	HOOK SHAFT BASE (LEFT)	1
5	#04	21334909	INNER HOOK GUIDE LINK	2
6	#02	21334909	BOBBIN CASE OPENING LEVER LINK	1
7		B1821051000	CRANK SCREW STUD	2
8		CQ202000000	OIL WICK	0.02
9		NS6110420SP	NUT 11/64-40	2
10	#04	21335500	GUIDE ARM (FOR THREAD CUTTING)	2
11	#02	B1822563000	BOBBIN CASE OPENING LEVER CRAN	2
12	#04	21335708	INNER HOOK GUIDE ARM SHAFT	2
13	#02	B1823051000	OPENING LEVER CRANK PIN	2
14		SS7111810TP	SCREW 11/64-40 L=18	2
15		CQ202000000	OIL WICK	0.02
16	#04	21335807	INNER HOOK GUIDE	2
17	#02	B1824563000	BOBBIN CASE OPENING LEVER	2
18		WPO371016SD	WASHER 3.7X8X1	2
19		SS6090810SP	SCREW 9/64-40 L= 7.5	2
20		10111102	THRUST WASHER 1.3	2
21		10112704	THRUST WASHER 1.8	2
22	#04	21378401	HOOK SHAFT UPPER METAL	2
23	#02	21378500	HOOK SHAFT UPPER METAL	2
24		21334701	HOOK SHAFT LOWER METAL	2
25		10109908	SADDLE INSTALLING BLOCK UPPER	2
26		10112407	SADDLE INSTALLING BLOCK LOWER	2
27		SS6153040SP	SCREW 15/64-28 L=30	2
28		WPO850002SP	WASHER 8.5X18X1.6	2
29		SM6082502TP	SCREW M8 L=25	1
30		B1834512000A	OIL ADJUSTING SCREW	2
31		NS6110420SP	NUT 11/64-40	2
32	#04	SC1510N7I	THREAD TRIMMER HOOK ASM.	2
33	#02	SC1510I1	VERTICAL-AXIS SEWING HOOK ASM.	2
34		21334800	ALUMINUM BOBBIN WITH KNURL	2
35		10111003	THRUST WASHER 1.2	2
36		21361704A	LOWER SHAFT	1
37		B18025120A0A	BUSHING ASM. FRONT	1
38		SS8151150TP	SCREW 15/64-28 L=10.5	1
39		B18035150A0	BUSHING ASM. INTERMEDIATE	1
40		SS8151150TP	SCREW 15/64-28 L=10.5	1
41	#04	21378104	FEED DRIVING ECCENTRIC	1
42		10109700	THRUST WASHER 1.5	2
43	#04	SS8150510TP	SCREW 15/64-28 L= 4.7	1
44	#02	SS8660530TP	SCREW 1/4-40 L= 4.5	1
45		B1817051000	HOOK DRIVING SHAFT GEAR SMALL	2
46		SS8660670SP	SCREW 1/4-40 L= 6.1	2
47		SS8660530TP	SCREW 1/4-40 L= 4.5	2
48		B1816051000	HOOK DRIVING SHAFT GEAR LARGE	2
49		SS8660810TP	SCREW 1/4-40 L=8	4
50		SS8151150SP	SCREW 15/64-28 L=10.5	1
51		SQ1110401MZ	CONNECTING SCREW	4
52		22611909	OIL PUMP SHAFT	1
53		SS8660530TP	SCREW 1/4-40 L= 4.5	3
54		22611701	PLUNGER BUSHING B	1
55		SS8110422TP	SCREW 11/64-40 L=4	4

#02 FOR WF1516 #04 FOR WF1516AUT

# 7. Thread cutting components(for WF1516AUT)

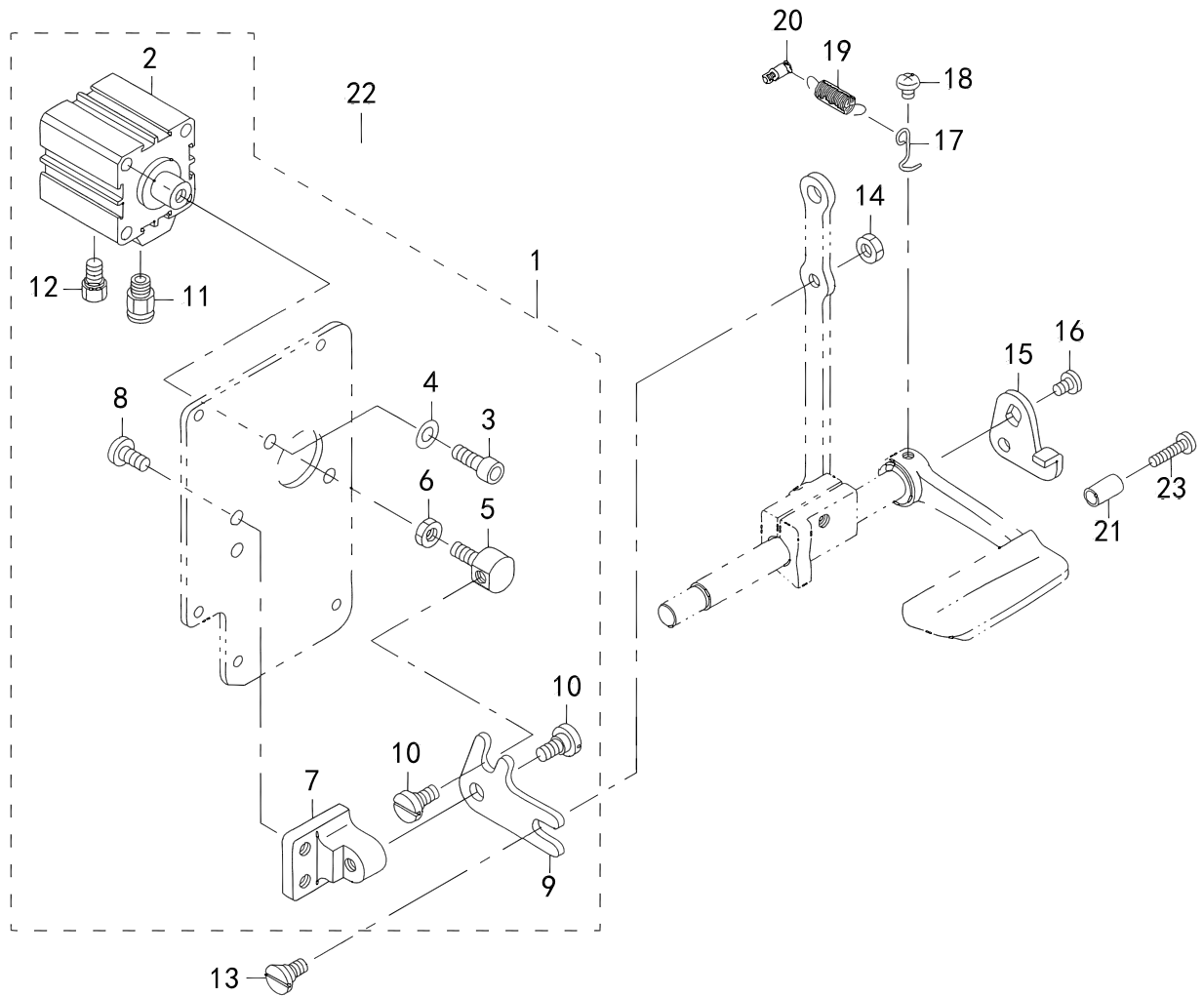




## DESCRIPTION

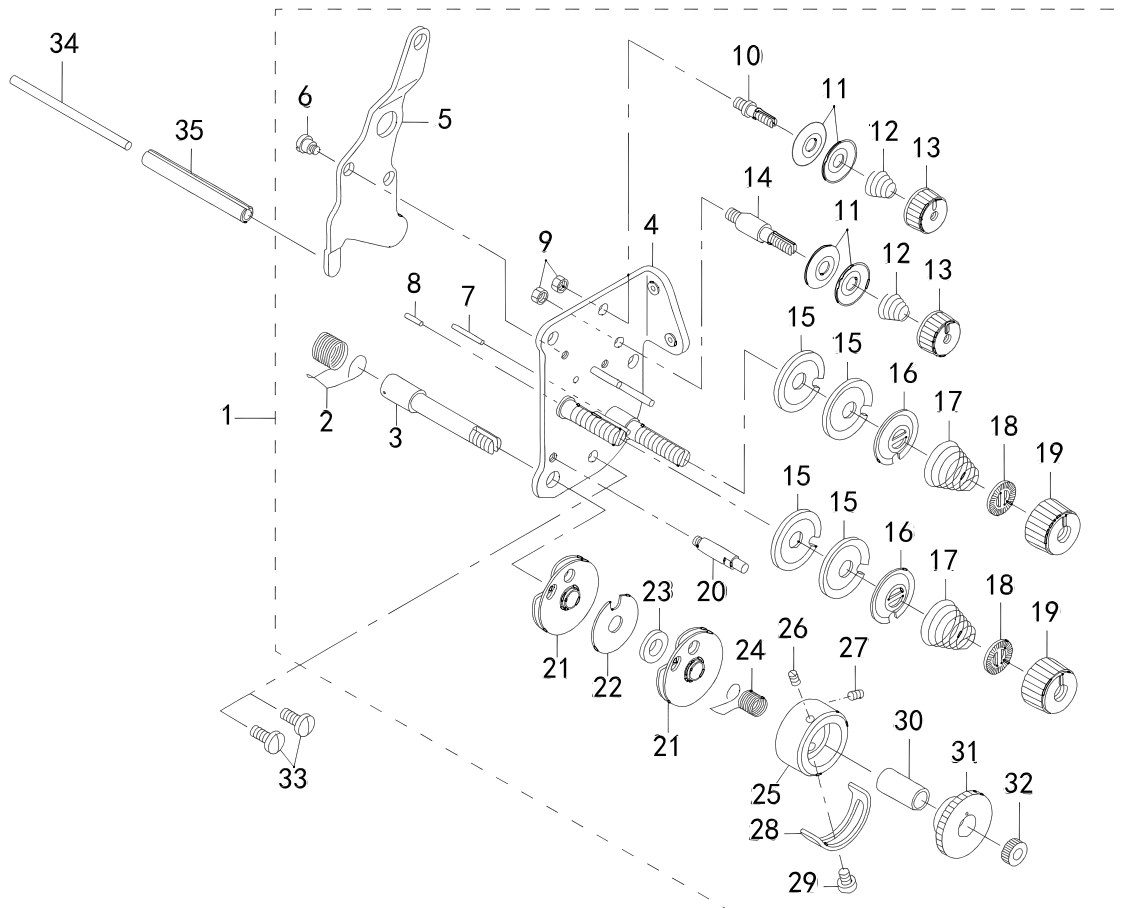
1	10726305	MOVING KNIFE	2
2	SM6030802TP	SCREW M3X0.5 L=8	4
3	WP0320501SC	WASHER M3	4
4	21389556	FIXED KNIFE BASE (RIGHT) ASM.	1
5	21389507	FIXED KNIFE BASE (RIGHT)	1
6	21389309	FIXED KNIFE	1
7	21389408	CLAMP SPRING	1
8	SS7060610SP	SCREW 3/32-56 L= 5.5	2
9	SS7060610SP	SCREW 3/32-56 L= 5.5	2
10	21389655	FIXED KNIFE BASE (LEFT) ASM.	1
11	21389606	FIXED KNIFE BASE (LEFT)	1
12	21389309	FIXED KNIFE	1
13	21389408	CLAMP SPRING	1
14	SS7060610SP	SCREW 3/32-56 L= 5.5	2
15	SS7060610SP	SCREW 3/32-56 L= 5.5	2
16	SM6041202TP	SCREW M4X0.7 L=12	4
17	WP0430800SC	WASHER M4	4
18	21354907	MOVING KNIFE SHAFT	2
19	CS0790731SH	THRUST COLLAR	2
20	SS8110422TP	SCREW 11/64-40 L=4	4
21	21354501	THREAD CUTTING STOPPER (RIGHT)	1
22	SS7111120SP	SCREW 11/64-40 L=10.5	1
23	21353750	VERTICAL FITTING BASIS ASM.	1
24	21353701	VERTICAL FITTING BASIS	1
25	SS8110510SP	SCREW 11/64-40 L=5	2
26	21354006	THREAD CUTTING DRIVING PLATE	1
27	10116804	SHAFT	1
28	21353859	THREAD CUTTING ROLLER ARM	1
29	21353909	CAM ROLLER SHAFT	1
30	D2430555B00	SNAP RING	1
31	21353800	THREAD CUTTING ROLLER ARM	1
32	D2427555B00B	CAM ROLLER	2
33	CS070081BSH	THRUST COLLAR ASM. D=7 W=8	1
34	CS0700811SH	THRUST COLLAR D=7 W=8	1
35	SS8110510SP	SCREW 11/64-40 L=5	2
36	SS6151812TP	SCREW 15/64-28 L=18	2
37	21354105	CONNECTING PLATE	2
38	21354204	STOPPING PLATE	2
39	SD0640325SP	HINGE SCREW	1
40	SS6111140SP	SCREW 11/64-40 L=11	4
41	21363601	CONNECTING PLATE	2
42	HK034610120	HOUSING 12P	1
43	WP0621016SD	WASHER 6.2X13X1	2
44	SD0640751SP	HINGE SCREW D= 6.35 H= 7.5	1
45	21389705	ROCKING ARM (RIGHT)	1
46	SS6121610TP	SCREW 3/16-28 L=15.5	1
47	21389804	ROCKING ARM (LEFT)	1
48	SS6121610TP	SCREW 3/16-28 L=15.5	1
49	SD0640451TP	HINGE SCREW D=6.35 H=4.5	1
50	B1515512000	HAND LIFTER SHAFT	1
51	21389911	THREAD TRIMMER CAM	1
52	SS8660612TP	SCREW 1/4-40 L=6	2
53	SD0640482SP	HINGE SCREW D= 6.35 H= 4.8	1
54	21355102	THREAD CUTTING SOLENOID	1
55	21354600	SOLENOID FITTING PLATE	1
56	SS6151040SP	SCREW 15/64-28 L=10	2
57	SM6040802TP	SCREW M4X0.7 L=8	2
58	21354709	SOLENOID CONNECTING PLATE	1
59	SS6110710TP	SCREW 11/64-40 L= 6.5	2
60	HK03464000A	TERMINAL FEMALE	2
61	WS0610002KP	SPRING WASHER	2
62	EA9500B0100	CABLE BAND	1
63	22620801	PIPE HOLDER	1
64	SS7111810TP	SCREW 11/64-40 L=18	1
65	21390208	MAINTENANCE SPRING	2

## 8. Automatic back components (for WF1516AUT)



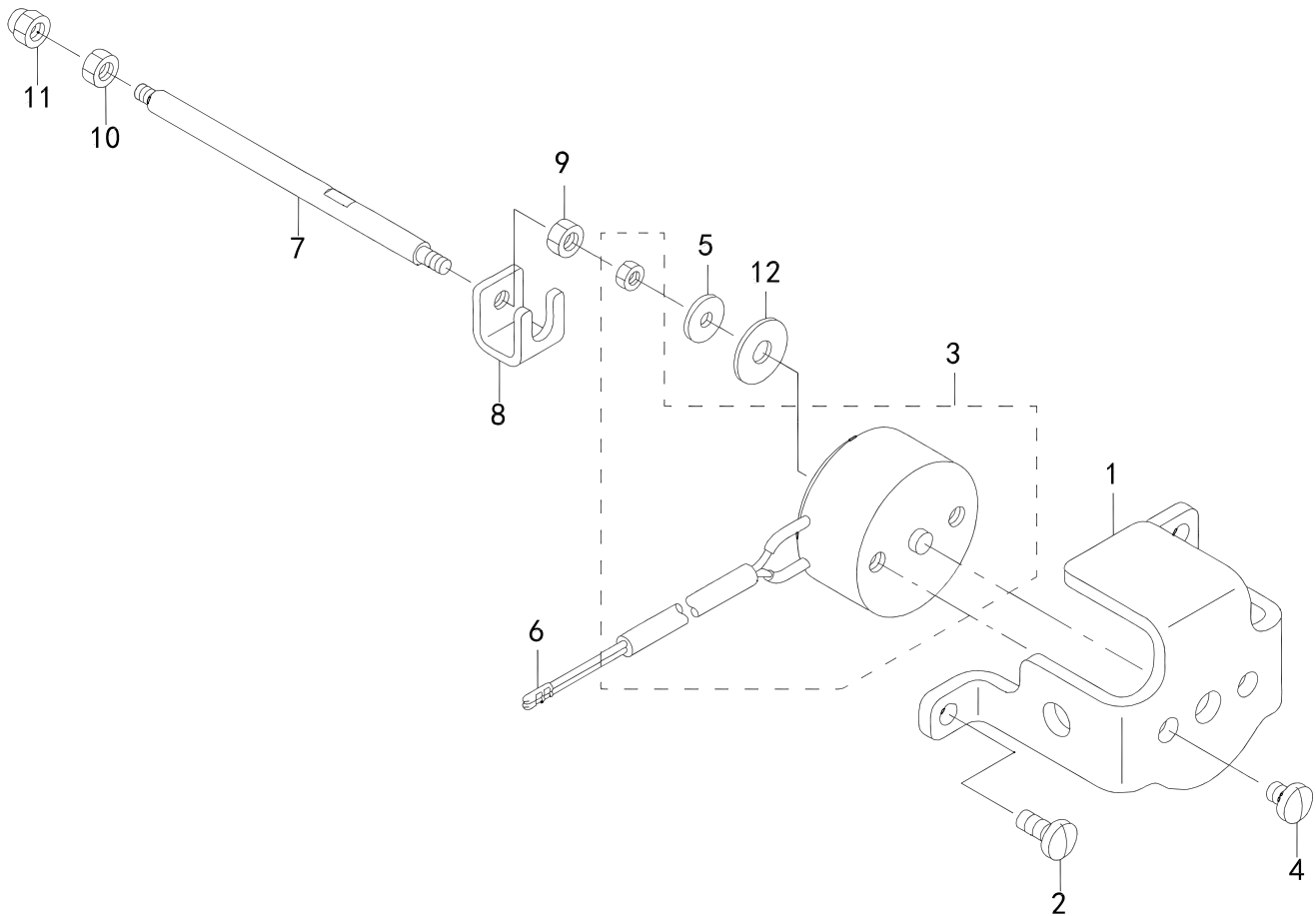
1	21348958	WINDOW PLATE ASM.	1
2	PA320150200	JIG CYLINDER	1
3	SM6061602TP	SCREW M6 L=16	2
4	WP0641601SD	WASHER M6	2
5	21348602	CYLINDER CONNECTING SCREW	1
6	NM6060003SC	NUT M6	1
7	21348503	FITTING BASE	1
8	SS7151210SP	SCREW 15/64-28 L=12	2
9	21348701	BACKWARD FEED LINK	1
10	SD0800352SP	HINGE SCREW D= 8 H= 3.5	2
11	PJ301065104	HALF UNION	1
12	PX015101000	MUFFLER	1
13	SD0800402TP	HINGE SCREW D= 8 H= 4	1
14	NS6150430SP	NUT 15/64-28	1
15	22656102	REVERSE FEED LINK (1)	1
16	SS7120760SP	SCREW 3/16-28 L= 7.0	1
17	22656003	SPRING SUSPENSION	1
18	SS4120615SP	SCREW 3/16-28 L=6	1
19	13515606	SPRING	1
20	10120004	SPRING SUSPENSION	1
21	11100500	REVERSE FEED LEVER STOPPER	1
22	SS7111810SP	SCREW 11/64-40 L=18	1

## 9. Thread tension components



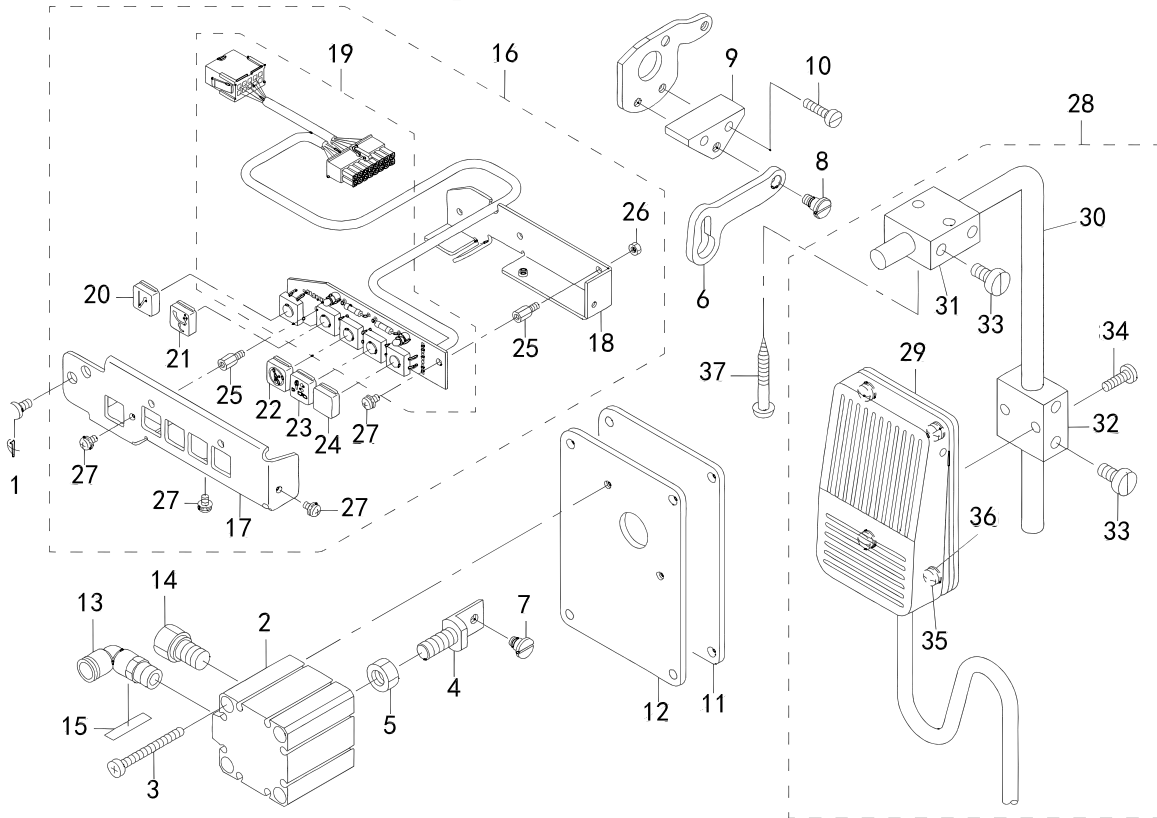
DESCRIPTION				
1	21390562	THREAD TENSION ASM.	1	
2	B3128051000	THREAD TAKE-UP SPRING A	1	
3	10124501	THREAD TAKE-UP SPRING STUD	1	
4	21390554	THREAD TENSION BASE COMPL.	1	
5	21441100	THREAD RELEASE PLATE	1	
6	SD0470281SP	HINGE SCREW D=4.7 H=2.8	2	
7	B3127527000	PIN B	1	
8	B3127051000	TENSION RELEASE PIN SHORT	1	
9	NS6110310SP	NUT 11/64-40	2	
10	10124204	THREAD TENSION POST A	1	
11	B3214047000	BOBBIN WINDER TENSION DISC	4	
12	D3168555H0B	TENSION SPRING NO. 1	2	
13	11072402	THREAD TENSION NUT	2	
14	10124303	THREAD TENSION POST B	1	
15	B3126051000	TENSION DISC	4	
16	B3132051000	TENSION DISC HOLDER	2	
17	B3129053000	TENSION SPRING	2	
18	B3120125000	ROTATING STOPPER	2	
19	11072204	TENSION NUT	2	
20	B3143527000	TAKE-UP SPRING GUIDE STUD	1	
21	B31375270A0	TAKE-UP SPRING GUIDE ASM.	2	
22	B3142527000	TAKE-UP SPRING GUIDE PLATE	1	
23	B3139527000	COLLAR	1	
24	B3128527000	THREAD TAKE-UP SPRING B	1	
25	22617609	THREAD TENSION POST	1	
26	22618904	SET SCREW	1	
27	22618904	SET SCREW	1	
28	B3138527000	ADJUSTING PLATE B	1	
29	SS7090520SP	SCREW 9/64-40 L= 4.5	1	
30	B3141527000	PRESSER COLLAR	1	
31	B3125527000	TAKE-UP SPRING GUIDE	1	
32	B3125012000	THREAD TENSION NUT	1	
33	SS7110910TP	SCREW 11/64-40 L= 8.5	2	
34	21348206	TENSION RELEASE BAR	1	
35	PS0600502KP	SPRING PIN	1	

## 10. Threaf release components(for WF1516AUT)



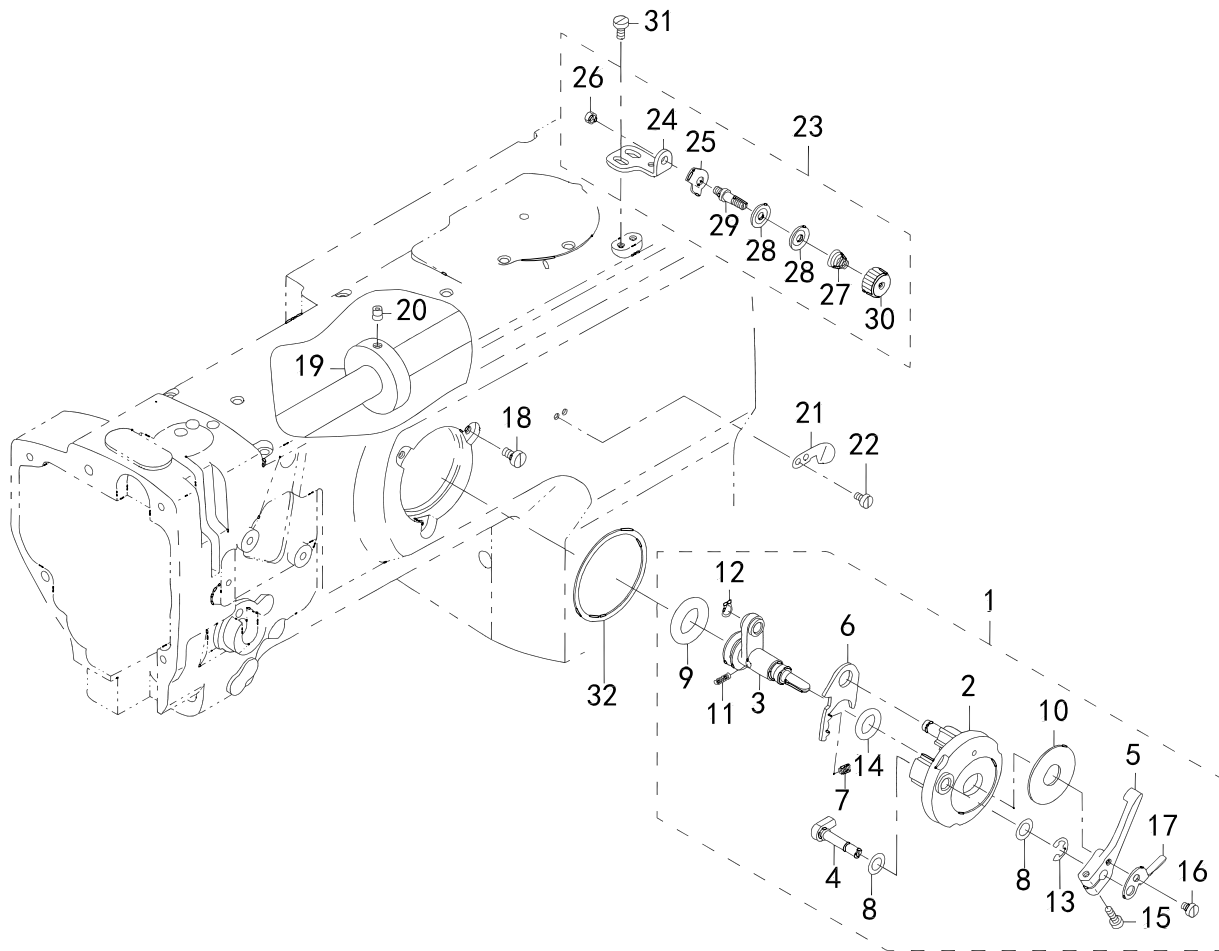
1	21441407	SOLENOID INSTALLING PLATE	1
2	SS7110910TP	SCREW 11/64-40 L= 8.5	2
3	21363106	TENSION RELEASE SOLENOID	1
4	SS7110570SP	SCREW 11/64-40 L= 4.8	2
5	40062388	WASHER	1
6	HK03464000B	PIN CONTACT	2
7	21441209	TENSION RELEASE BAR	1
8	21441308	COUPLING	1
9	NM6040001SN	NUT M4X0.7	1
10	NM6040001SN	NUT M4X0.7	1
11	NM7040062SB	NUT M4	1
12	WPO501046SC	WASHER 5 X 13 X 1	1

## 11. DL mechanism components(for WF1516AUT)



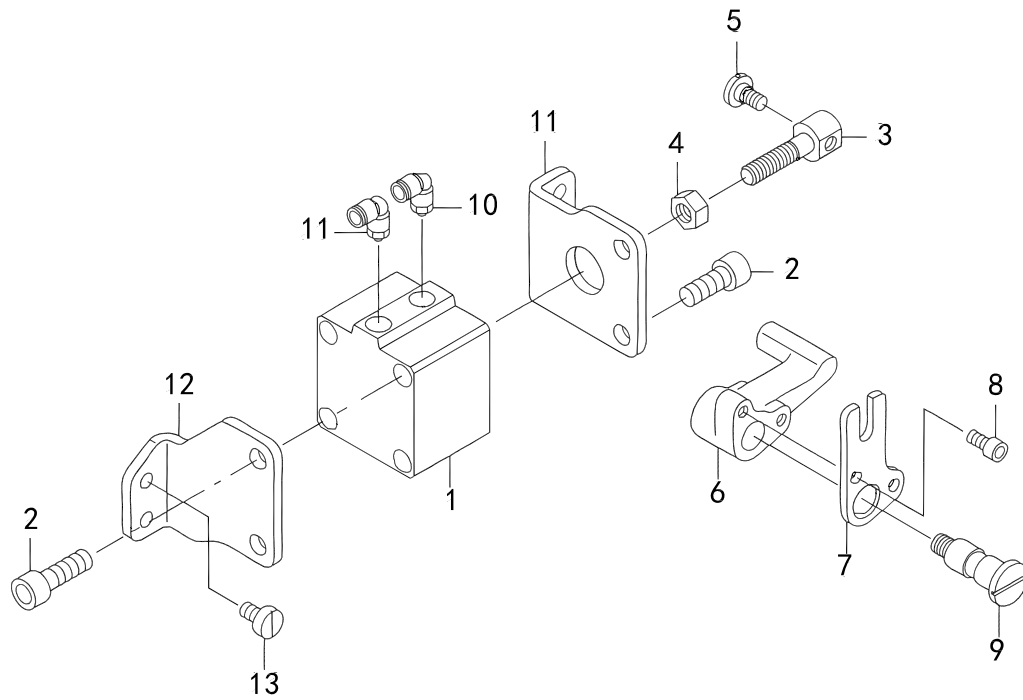
1	SS7110840SP	SCREW 11/64-40 L=7.8	2
2	PA320200100	JIG CYLINDER	1
3	SM6044002TP	SCREW	2
4	21438403	CYLYNDER CONNECTING SCREW	1
5	NM6080721SE	NUT M8	1
6	21438502	MUTUAL VERTICAL LINK	1
7	SD0600403TP	HINGE SCREW	1
8	SD0600454TP	SHOULDER SCREW	1
9	21438601	MUTUAL VERTICAL LINK SPASER	1
10	SS6111610SP	SCREW 11/64-40 L=16	2
11	21437306	WINDOW PLATE E PACKING	1
12	21437207	WINDOW PLATE F	1
13	PT304065102	ELBOW	1
14	PX015101000	MUFFLER	1
15	HX00295000C	WIRE MARK (4)	1
16	40024849	5RANGE SWITCH ASM.	1
17	21442603	SWITCH COVER	1
18	21442702	SWITCH CIRCUIT FITTING BASE	1
19	40024848	5RANGE SWITCH SUB(A) ASM.	1
20	21442900	KEY TOP A	1
21	21443007	KEY TOP B	1
22	21443106	KEY TOP C	1
23	21443205	KEY TOP D	1
24	21443809	KEY TOP F	1
25	HX00354000N	SPACER	4
26	NM6030001SC	NUT M3	3
27	SL4030631SC	SCREW M3X6	4
28	40025036	KNEE SWITCH ASM.	1
29	40025035	KNEE SWITCH ASM.	1
30	MAT80231T00	DRIVING BAR T002	1
31	MAT80230T00	KNEE SWITCH SUPPORT BASE	1
32		KNEE SWITCH SUPPORT BASE	1
33	SS6151220SP	SCREW 15/64-28 L=11.5	4
34	SS7111410SP	SCREW 11/64-40 L=14	2
35	SS7110710SL	SCREW 11/64-40 L=7.0	4
36	WP0480856SP	WASHER 4.8X8.4X0.8	4
37	SK3514000SC	WOOD SCREW D=5.1 L=40	2

## 12. Lower thread winder mechanism component



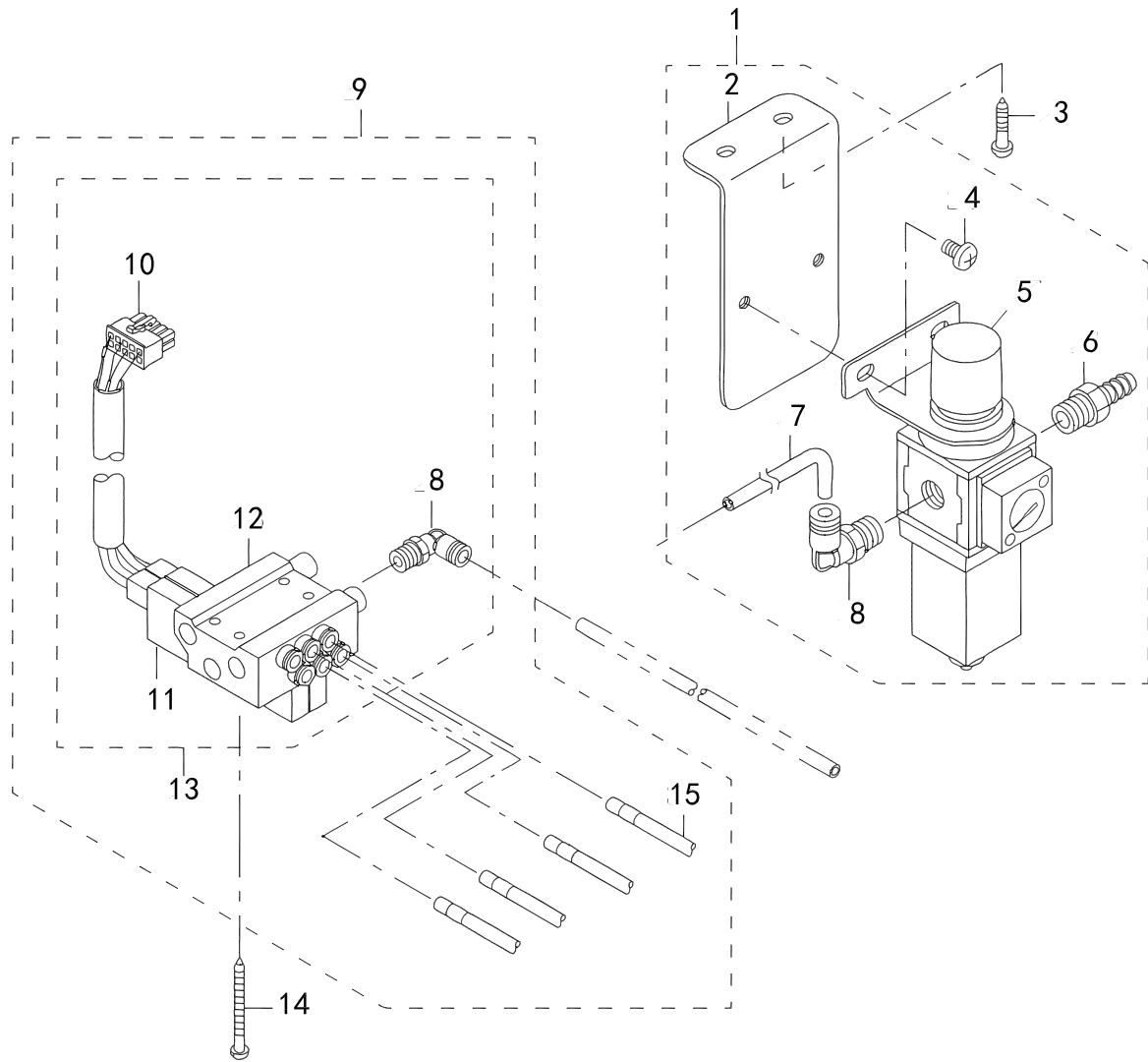
1	21357967	BOBBIN DEVICE ASM.	1
2	22537658	BOBBIN FITTING BASIS COMPL.	1
3	21357959	BOBBIN SHAFT COMPL.	1
4	22538151	BOBBIN CAM SHAFT COMPL.	1
5	23636202	BOBBIN LEVER	1
6	21356001	ADJUSTING PLATE	1
7	B152989000CA	PRESSUR FOOT SPRING	1
8	10618304	VERTICAL ROLLER WASHER	2
9	21358205	BOBBIN FRICTION GEAR	1
10	B3205210000	CUSHION	1
11	B1148555000	SPRING	1
12	RC0560711KP	RETAINING RING	1
13	RE0500000K0	E-RING	1
14	RO092270200	RUBBER RING	1
15	SS7091410SP	SCREW 9/64-40 L=13.5	1
16	SS6090520SP	SCREW 9/64-40 L= 5.0	1
17	14512503	BOBBIN ADJUSTING PLATE	1
18	SS6110810TP	SCREW 11/64-40 L=8	3
19	10704807	BOBBIN FRICTION WHEEL	1
20	SM8050602TP	SCREW M5 L=6	2
21	10502300	THREAD CUTTER	1
22	SS6090620SP	SCREW 9/64-40 L=6	2
23	21355755	LOWER THREAD GUIDE ASM.	1
24	21355706	FITTING BASE	1
25	D3162555B00	THREAD GUIDE	1
26	NS6110310SP	NUT 11/64-40	1
27	D3168555HOB	TENSION SPRING NO. 1	1
28	B3214047000	BOBBIN WINDER TENSION DISC	2
29	21378708	THREAD TENSION POST	1
30	11072402	THREAD TENSION NUT	1
31	SM6040800SP	SCREW	2
32	22538706	PACKING	1

# 13. Automatic presser lifting mechanism(for WF1516AUT)



1	PA400150100	AIR CYLINDER	1
2	SM6082002TP	SCREW M8 L=20	4
3	21356506	CYLINDER CONNECTING SCREW	1
4	NM6080001SE	NUT M8	1
5	SD0720331SP	HINGE SCREW D= 7.24 H= 3.3	1
6	21356605	LEVER A	1
7	21356803	LEVER B	1
8	SM6051002TP	SCREW M5X0.8 L=10	2
9	21356704	SHAFT	1
10	PJ304065102	ELBOW	2
11	21356308	CYLINDER STAY (FRONT)	1
12	21356407	CYLINDER STAY (REAR)	1
13	SS6151040SP	SCREW 15/64-28 L=10	4

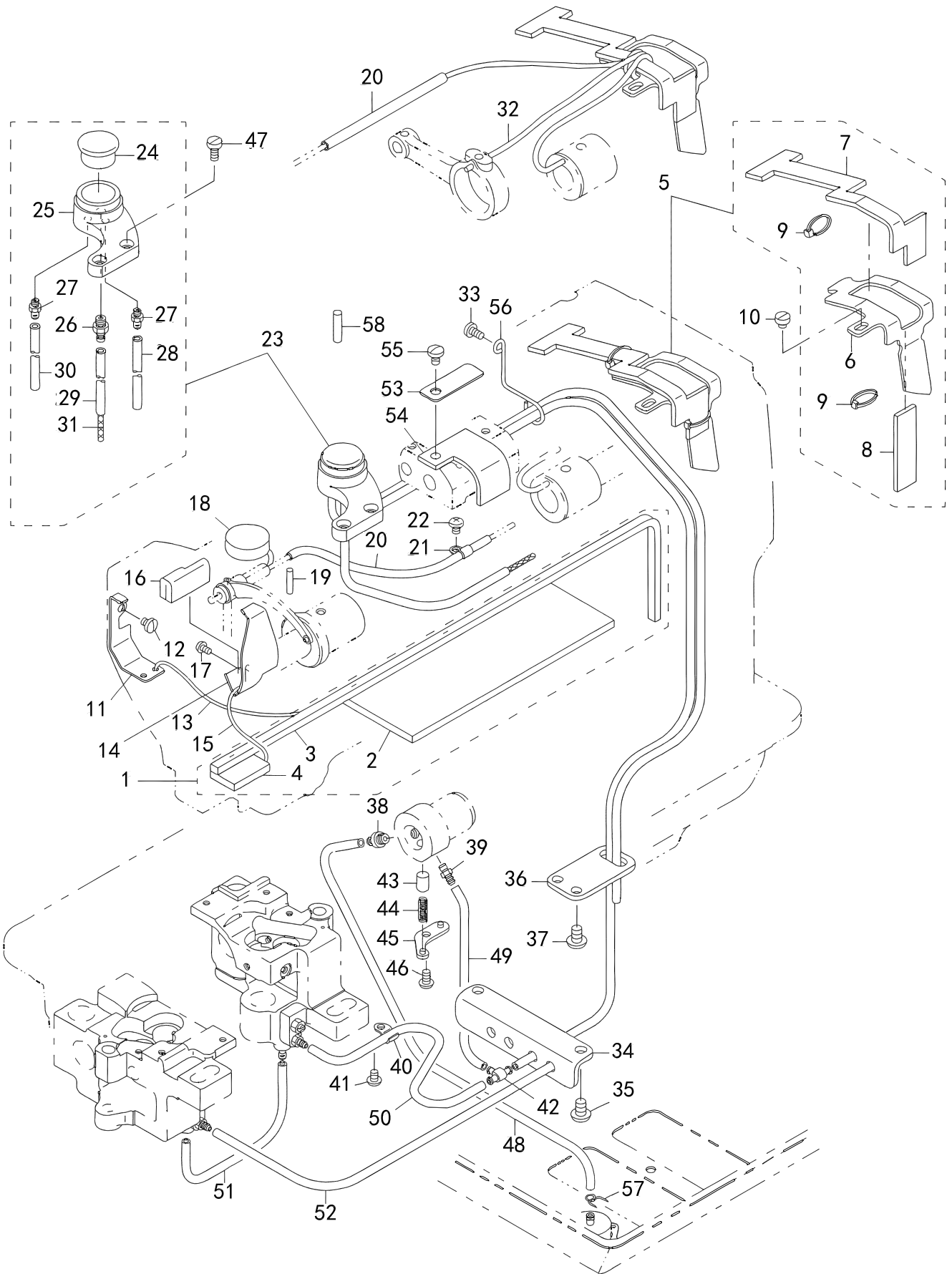
# 14. Air mechanism components(for WF1516AUT)



DESCRIPTION				
1	021701	AIR APPARATUS (B) ASM.	1	
2	021702	Mounting panel	2	
3	021703	SCREW D=4.1 L=20	2	
4	021704	SCREW M6 L=10	2	
5	021705	FILTER REGULATOR	1	
6	021706	NIPPLE	1	
7	021707	TUBE $\Phi 8$	1	
8	021708	ELBOW	2	
9	021709	ELECTROMAGNETIC VALVE ASM.	1	
10	021710	RECEPTACLE	<1>	
11	021711	ELECTROMAGNETIC VALVE C	<3>	
12	021712	FILTER REGULATOR MOUNTING PLAT	<1>	
13	021713	ELECTROMAGNETIC VALVE (C) ASM.	1	
14	021714	SCREW D=4.1 L=50	4	
15	021715	TUBE $\Phi 6$	1	



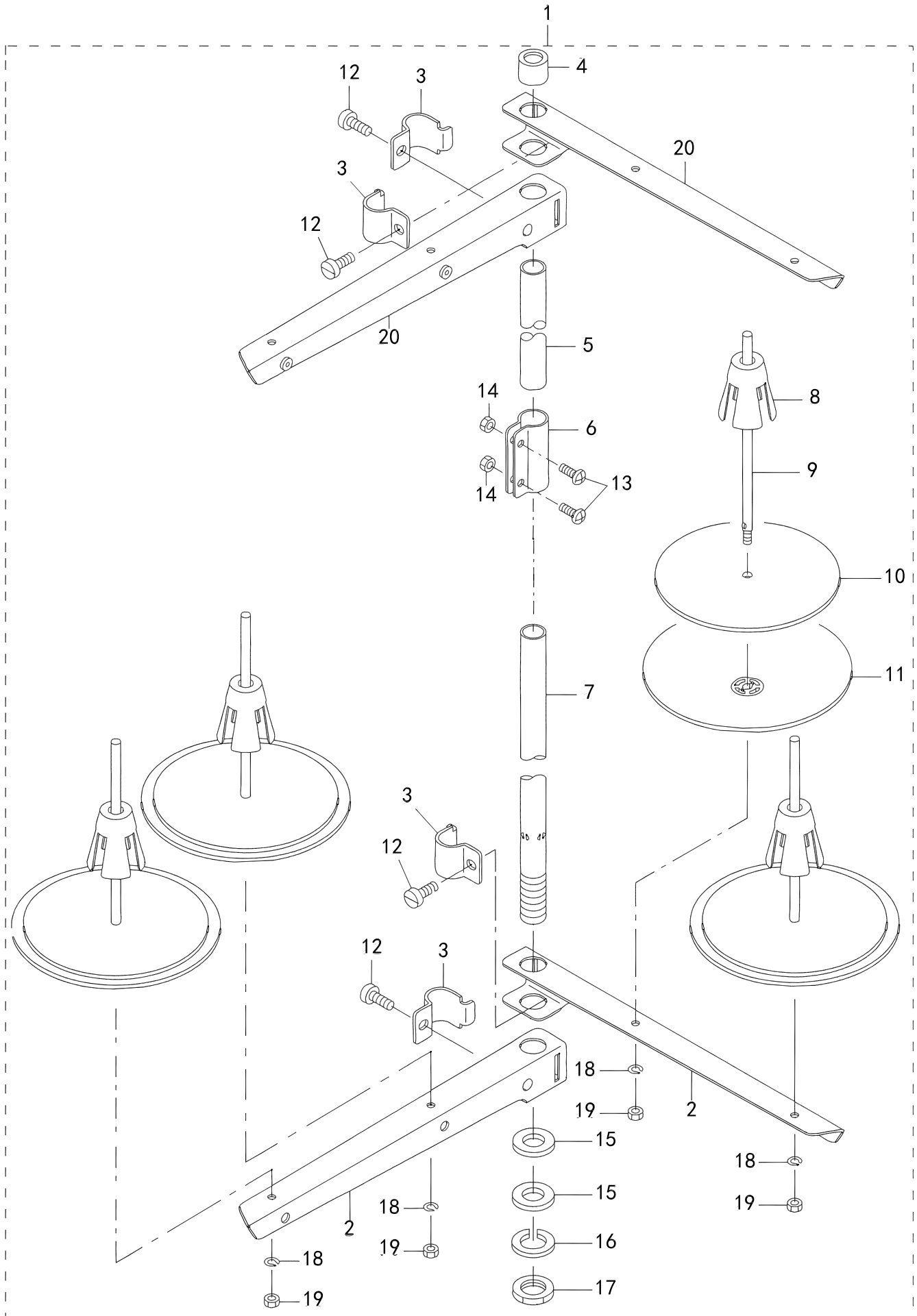
# 15. Lubrication components



1	011101	21345756	ARM ONCE THROUGH OIL FELT ASM.	蓄油毡组件	1
2	011102	21345707	ARM ONCE THROUGH FELT A	蓄油毡A	1
3	011103	21345806	FELT B	蓄油毡B	1
4	011104	21345905	FACE ONCE THROUGH FELT	蓄油毡C	1
5	011105	21346358	FELT SUPPORT ASM.	大油毡架组件	1
6	011106	21346309	FELT	大油毡架	1
7	011107	21346507	FEED CHANGE FELT	大油毡组件A	1
8	011108	21346408	FELT	大油毡组件B	1
9	010332	EA9500B0000	CLIP CV-70S	尼龙自锁夹	2
10	010223	SS7110710SP	SCREW 11/64-40 L=4.3	大油毡架螺钉	1
11	011111	21340708	UPPER FEED OIL BAR PLATE	后防油板	1
12	010223	SS7110710SP	SCREW 11/64-40 L=5	后防油板螺钉	1
13	011113	CQ202000000	OIL WICK	后防油板油线	0.2
14	011114	21347000	TAKE-UP OIL PLATE	前防油板	1
15	011113	CQ202000000	OIL WICK	前防油板油线	0.25
16	011116	21347208	TAKE-UP LUBRICATION FELT	前防油板海绵油毡	1
17	010123	SS3090610SP	SCREW 9/64-40 L=6	前防油板螺钉	1
18	011118	21346002	FELT	上轴大油芯	1
19	011119	B1412051000	FELT	(上轴左轴套)油芯	1
20	021320	BT0600402EA	OIL TUBE	油管	0.12
21	021321	B3538112000	OIL RETURN TUBE HOLDER	油管固定板	1
22	021322	SS4110615SP	SCREW 11/64-40 L=6	油管固定板螺钉	1
23	021323	40051503	ARM OIL TANK ASM.	储油箱组件	1
24	021324	B3520586000	OIL SIGHT WINDOW	油窗	1
25	021325	21345608	ARM OIL TANK	储油箱	1
26	021326	SQ1110401MZ	CONNECTING SCREW	油管连接大螺钉	1
27	020651	SQ1150451MZ	CONNECTING SCREW	油管连接小螺钉	2
28	021328	23630007	TUBE	油管	0.5
29	021328	23630007	TUBE	油管	0.2
30	021328	23630007	TUBE	油管	0.6
31	011113	CQ252000000	OIL WICK	防油板油线	0.7
32	011126	CQ202000000	OIL WICK	油线	0.2
33	010315	SS7110830SP	SCREW 11/64-40 L= 7.5	油管支架螺钉	1
34	021334	21345103	LUBRICATION BRACKET	润滑架	1
35	021335	SS4150915SP	SCREW 15/64-28 L=9	螺钉	2
36	021336	21345202	OIL PIPE STAY	油管支板	1
37	021335	SS4150915SP	SCREW 15/64-28 L=9	油管支板螺钉	2
38	021326	40064409	CONNECTION SCREW ASM.	油管连接大螺钉	1
39	020651	SQ1110401MZ	CONNECTING SCREW	油管连接小螺钉	1
40	021321	B3538112000	OIL RETURN TUBE HOLDER	油管固定板	1
41	021322	SS4110615SP	SCREW 11/64-40 L=6	油管固定板螺钉	1
42	021342	13765607	OIL CONNEC. ARM	三通油管接头	1
43	021343	B3534155000	PLUNGER	吸油柱塞	1
44	021344	B1214038000	PLUNGER SPRING	柱塞簧	1
45	021345	B3524552000	PLUNGER THRUST PLATE	柱塞挡板	1
46	010105	SS4110815SP	SCREW 11/64-40 L=8	柱塞挡板螺钉	1
47	011125	SS6111010SP	SCREW 11/64-40 L= 9.5	滤油螺钉	2
48	021328	23630007	TUBE	油管	0.36
49	021328	23630007	TUBE	油管	0.08
50	021328	23630007	TUBE	油管	0.22
51	021328	23630007	TUBE	油管	0.1
52	021328	23630007	TUBE	油管	0.5
53	010525	21338306	LUBRICATION FELT PRESSER	油毡压片	1
54	010123	SS5090610SP	MUTUAL VERTICAL CHANGE FELT	垂直油毡	1
55	010123	SS5090610SP	SCREW 3/16-28 L= 7.0	油毡压片螺钉	1
56	021356	21346606	PIPE SUPPORT	油管支架	1
57	021359	10126803	OIL TUBE HOLDER	吸油管弹簧夹	1
58	021358	PS0500202KP	SPRING PIN 5X20	弹性圆柱销	1

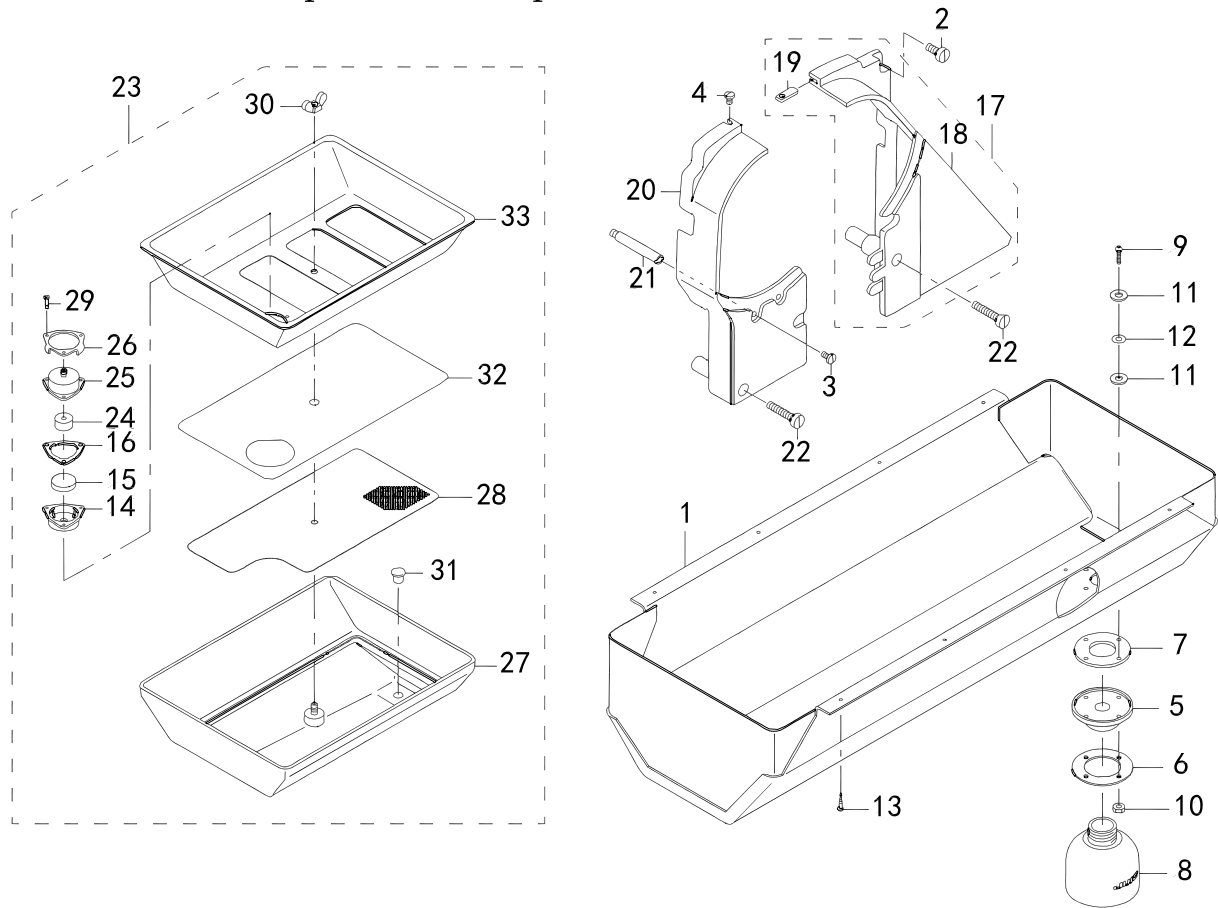
#01 1510N用 #02 1560N用 #03 1510N-7用 #04 1560N-7用

# 16. Thread stand components



		DESCRIPTION	
1	26910158	THREAD STAND ASM.	1
2		SPOOL RETAINER	<2>
3		SPOOL PIN	<2>
4		SPOOL REST CUSHION	<2>
5		SPOOL REST	<2>
6		SCREW M6 L=16	<2>
7		THREAD GUIDE ARM JOINT	<2>
8		SPOOL REST ROD RUBBER CAP	<1>
9		SPOOL REST ARM	<2>
10		SPOOL REST ROD UPPER	<1>
11		SPOOL REST ROD JOINT	<1>
12		SCREW M5 L=14	<2>
13		NUT M5	<2>
14		SPOOL REST ROD LOWER	<1>
15		THREAD GUIDE	<2>
16		SPRING WASHER	<2>
17		NUT M5	<2>
18		NUT M16X1.5	<1>
19		WASHER 16X30X2.6	<2>
20		SPRING WASHER	<1>

# 17. Accessories parts components



1	21351457A	OIL RESERVOIR ASM.	1
2	SS6151440SP	SCREW 15/64-28 L=14	1
3	SS7110840SP	SCREW 11/64-40 L=7.8	1
4	SS5110740TP	SCREW 11/64-40 L= 6.5	1
5	40025299	OIL POT JOINT	1
6	21379003	OIL MANAGEMENT WASHER	1
7	B8112220000	OIL SEAL	1
8	40025300	OIL POT	1
9	SM3031401SE	SCREW M3X0.5 L=14	4
10	NM6030001SC	NUT M3	4
11	10748101	OIL REMOVING SETSCREW PACKING	8
12	WP0320501SC	WASHER M3	4
13	SK3241601SC	WOOD SCREW D=2.4 L=16	8
14	21345509	FILTER CASE	1
15	B8228125000	OIL RESERVOIR MAGNET	1
16	10739209	FILTER PACKING	1
17	21351150	BELT COVER ASM. (RIGHT)	1
18	21351101	BELT COVER (RIGHT)	1
19	21351002	BELT COVER AUXILIARY PLATE	1
20	21351200	BELT COVER (LEFT)	1
21	D8232241E00	BELT COVER SUPPORT A	1
22	SS6153040SP	SCREW 15/64-28 L=30	2
23	21345350	OIL TANK ASM.	1
24	10727303	FILTER	1
25	10727204	FILTER CAP	1
26	10753002	FILTER PLATE	1
27	21345301	OIL TANK	1
28	21346804	COVER (LOWER)	1
29	SM6021000TP	SCREW	-3
30	NM9050001SC	WING NUT M5X0.8	1
31	TA0800704R0	RUBBER PLUG	1
32	21346903	FILTER	1
33	21346705	COVER (REAR)	1

WF 1516

Needle distance	Parts No.	Throat plate	Feed dog	Needle clamp	Inside foot	Outside foot
1/8"	44E03	44E03D	44E03E	44E03C	44E03A	44E03B
5/32"	44E04	44E04D	44E04E	44E04C	44E04A	44E04B
3/16"	44E05	44E05D	44E05E	44E05C	44E05A	44E05B
1/4"	44E06	44E06D	44E06E	44E06C	44E06A	44E06B
5/16"	44E08	44E08D	44E08E	44E08C	44E08A	44E08B
3/8"	44E10	44E10D	44E10E	44E10C	44E10A	44E10B
1/2"	44E13	44E13D	44E13E	44E13C	44E13A	44E13B
5/8"	44E16	44E16D	44E16E	44E16C	44E16A	44E16B
3/4"	44E19	44E19D	44E19E	44E19C	44E19A	44E19B
1"	44E25	44E25D	44E25E	44E25C	44E25A	44E25B

WF 1516-AUT

Needle distance	Parts No.	Throat plate	Feed dog	Needle clamp	Inside foot	Outside foot
1/8"	44E03	44E03D	44E03E	44E03C	44E03A	44E03B
5/32"	44E04	44E04D	44E04E	44E04C	44E04A	44E04B
3/16"	44E05	44E05D	44E05E	44E05C	44E05A	44E05B
1/4"	44E06	44E06D	44E06E	44E06C	44E06A	44E06B
5/16"	44E08	44E08D	44E08E	44E08C	44E08A	44E08B
3/8"	44E10	44E10D	44E10E	44E10C	44E10A	44E10B
1/2"	44E13	44E13D	44E13E	44E13C	44E13A	44E13B
5/8"	44E16	44E16D	44E16E	44E16C	44E16A	44E16B

# GLOBAL

