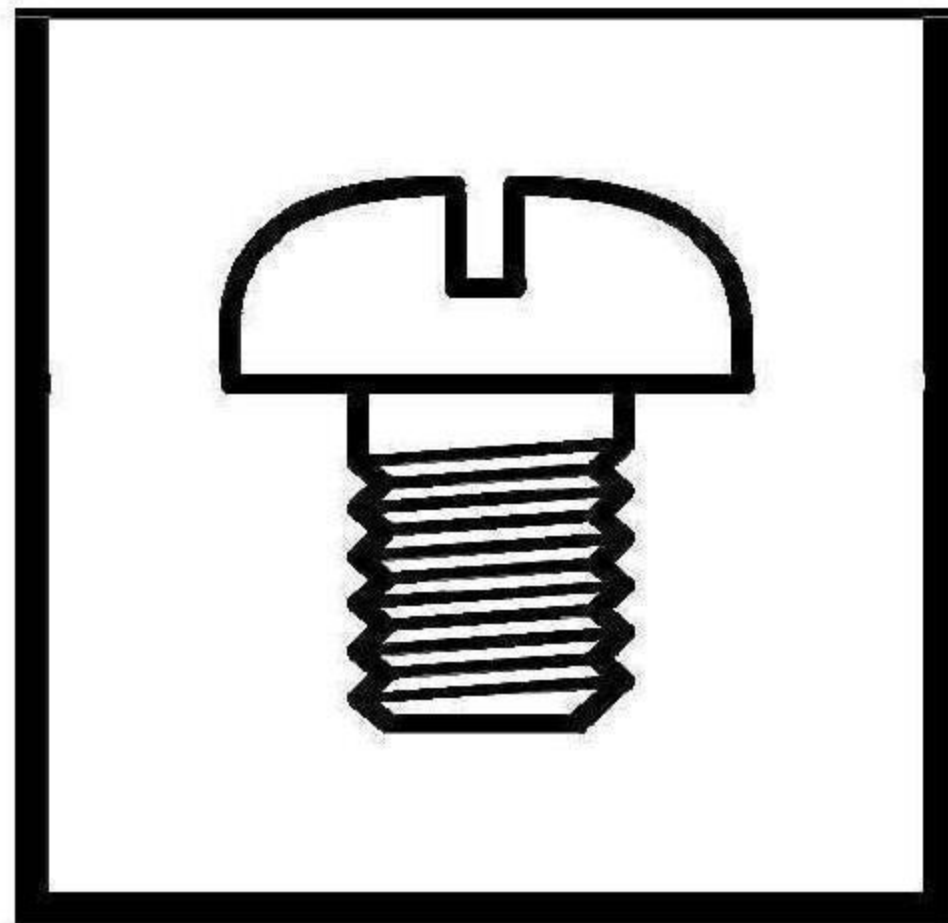


GLOBAL

WF 1505

WF 1505 - Single needle walking foot machine equipped with large horizontal axis hook for sewing medium heavy materials. Stitch length 9 mm.



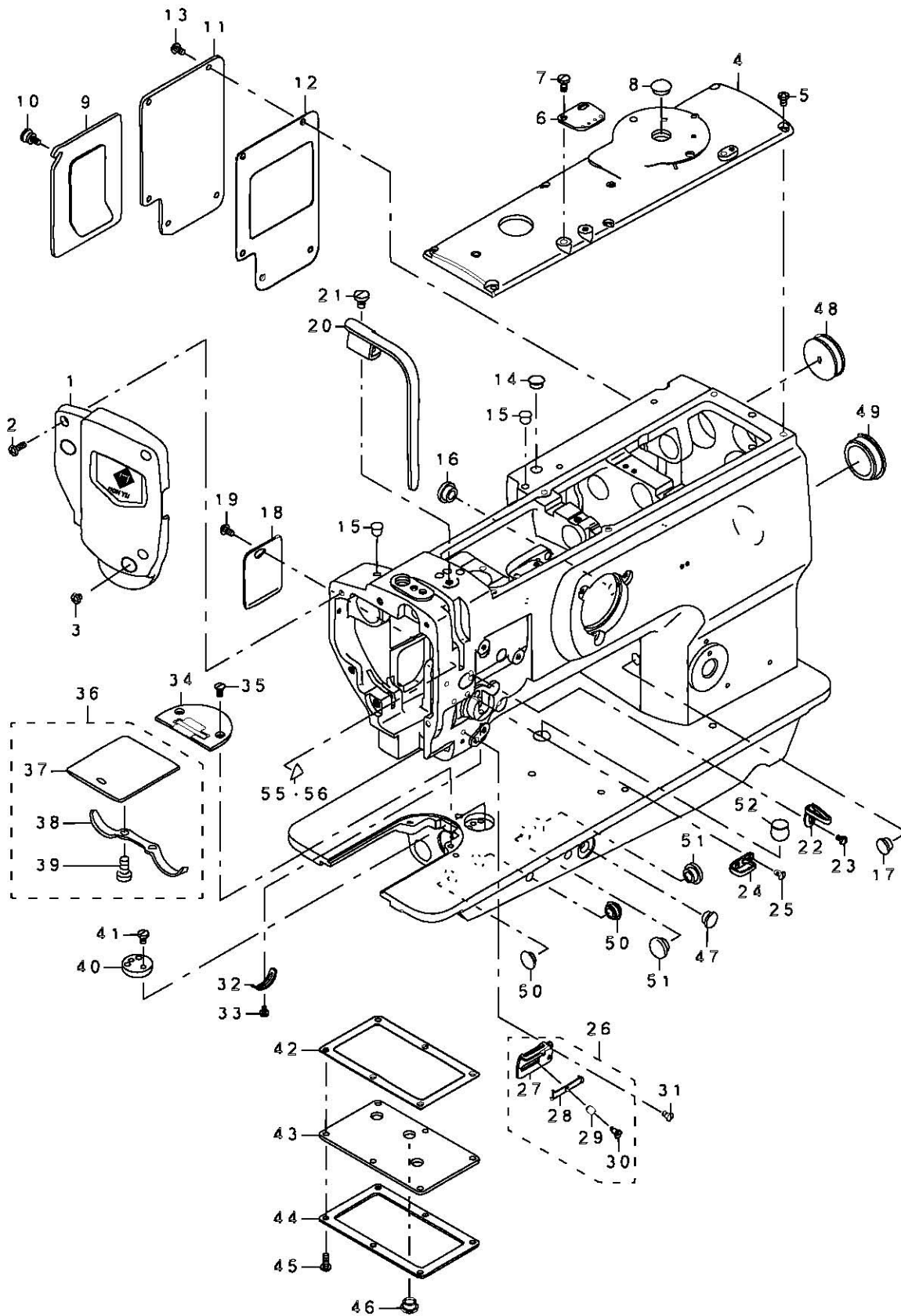
SERVICE MANUAL / PARTS BOOK

CONTENTS

1. FRAME & MISCELLANEOUS COVER COMPONENTS	2
2. UPPER SHAFT DRIVING & BALANCE COMPONENTS	4
3. NEEDLE BAR ROCKING COMPONENTS	6
4. PRESSURE ADJUSTING & UPPER FEED MECHANISM COMPONENTS . . .	8
5. FEED MECHANISM COMPONENTS	10
6. HOOK SHAFT & LOWER SHAFT COMPONENTS	12
8. THREAD THNSION COMPONENTS	14
9. KNEE LIFTING COMPONENTS	15
10. LOWER THREAD WINDER MECHANISM COMPONENTS	16
11. LUBRICATION COMPONENTS	17
12. BELL COVER & OIL RESERVOIR COMPONENTS	18
13. THREAD STAND COMPONENTS	19

PARTSBOOK

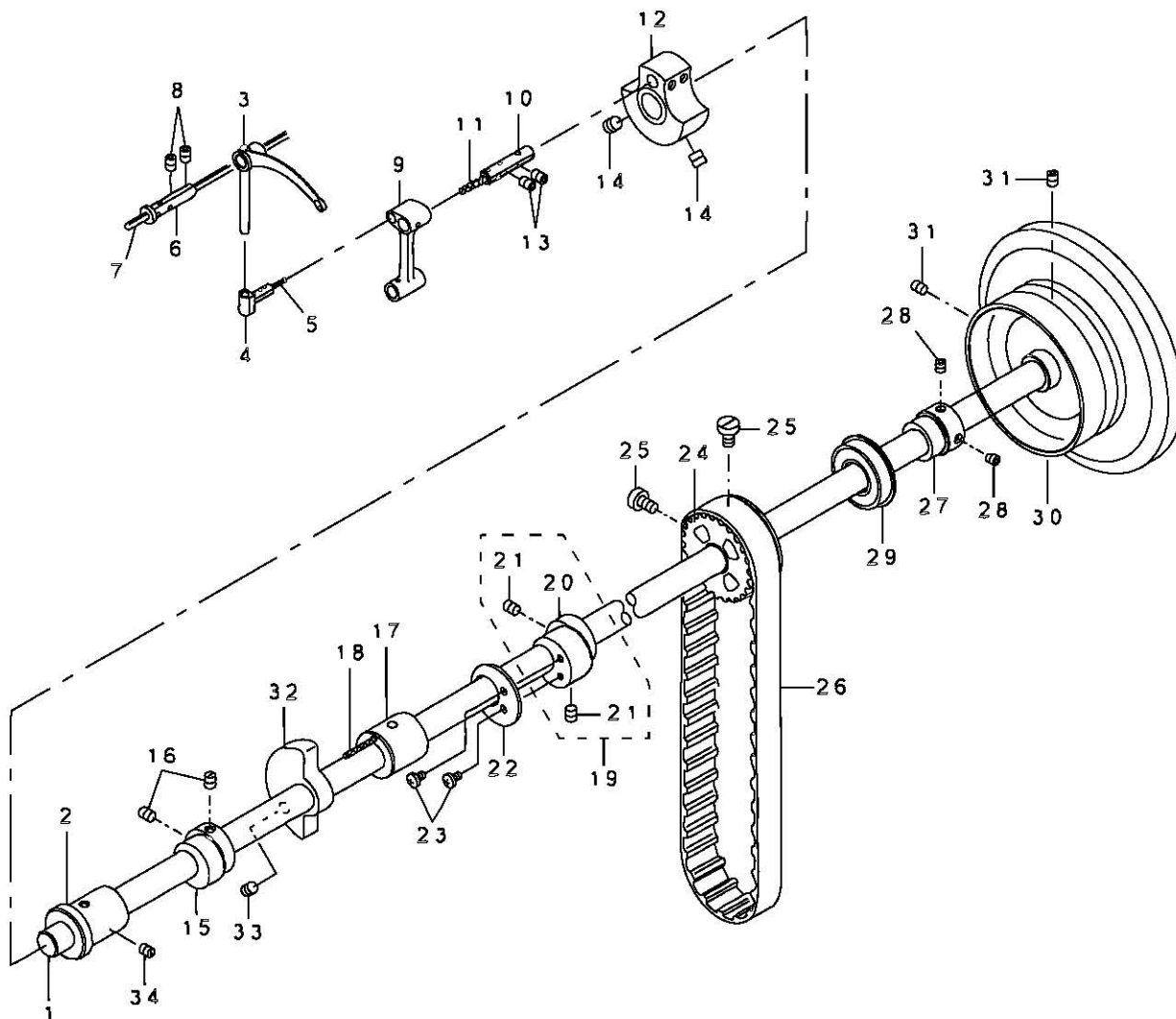
1. FRAME & MISCELLANEOUS COVER COMPONENTS



1. FRAME & MISCELLANEOUS COVER COMPONENTS

		DESCRIPTION	
1	214-01757	FACE PLATE ASM.	1
2	SS-4111215-SP	SCREW 11/64-40 L=12	3
3	TA-1250406-R0	RUBBER PLUG D=12.5 L=4	2
4	213-31301	TOP COVER B	1
5	SS-4110815-SP	SCREW 11/64-40 L=8	6
6	213-55904	ARM THREAD GUIDE	1
7	SS-7621040-SP	SCREW 3/16-32 L= 9.5	2
8	TA1450404-R0	RUBBER PLUG D=14.5 L=4	1
9	213-31756	WINDOW PLATE A ASM.	1
10	213-31202	SETSCREW	1
11	213-31806	WINDOW PLATE B	1
12	213-32002	WINDOW PLATE PACKING B	1
13	SS-4110815-SP	SCREW 11/64-40 L=8	5
14	TA-1050504-R0	RUBBER PLUG	1
15	TA-0750704-R0	RUBBER PLUG	2
16	TA-1250406-R0	RUBBER PLUG	1
17	TA-1050504-R0	RUBBER PLUG	1
18	213-32309	SIDE COVER	1
19	SS-4110815-SP	SCREW 11/64-40 L=8	1
20	213-31608	BALANCE COVER	1
21	SS-7150910-TP	SCREW 15/64-28 L=9	1
22	213-55805	THREAD GUIDE	1
23	SS-5090610-SP	SCREW 9/64-40 L=6	1
24	B1129-051-000	FRAME THREAD GUIDE UPPER	1
25	SS-2090710-TP	SCREW 9/64-40 L=7.2	2
26	214-08554	THREAD GUIDE ASM.	1
27	214-08505	THREAD GUIDE PLATE	<1>
28	179-12106	NEEDLE THREAD PRESSER PLATE	<1>
29	B1132-521-000	THREAD PRESSER PLATE SPRING	<1>
30	SD-0380551-SL	HINGE SCREW D= 3.80 H= 5.5	<1>
31	SS-2090710-TP	SCREW 9/64-40 L=7.2	1
32	B3138-512-000	TAKE-UP SPRING ADJUSTING PLATE	1
33	SS-7090520-TP	SCREW 9/64-40 L= 4.5	1
34	214-10006	THROAT PLATE	1
35	SS-2110920-TP	SCREW 11/64-40 L=8.5	2
36	B1112-241-HA0	BED SLIDE ASM.	1
37	B1112-241-H00	BED SLIDE	<1>
38	A1111-007-000	SLIDE PLATE SPRING	<1>
39	SS-6060210-SP	SCREW 3/32-56 L= 1.9	<2>
40	B1103-141-H00	SCALE BASE PLATE	1
41	SS-7110720-SP	SCREW 11/64-40 L=7	2
42	214-01302	GASKET	1
43	214-01401	OIL TANK COVER	1
44	214-01500	OIL TANK COVER PLATE	1
45	SS-4111215-SP	SCREW 11/64-40 L=12	6
46	TA-1050504-R0	RUBBER PLUG	2
47	TA-1050504-R0	RUBBER PLUG	3
48	10201200	RUBBER PLUG	1
49	22619100	CAP	1
50	226-19100	RUBBER PLUG D=12.5 L=4	1
51	TA-1250406-R0	RUBBER PLUG	2
52	21401609	PLUG	1

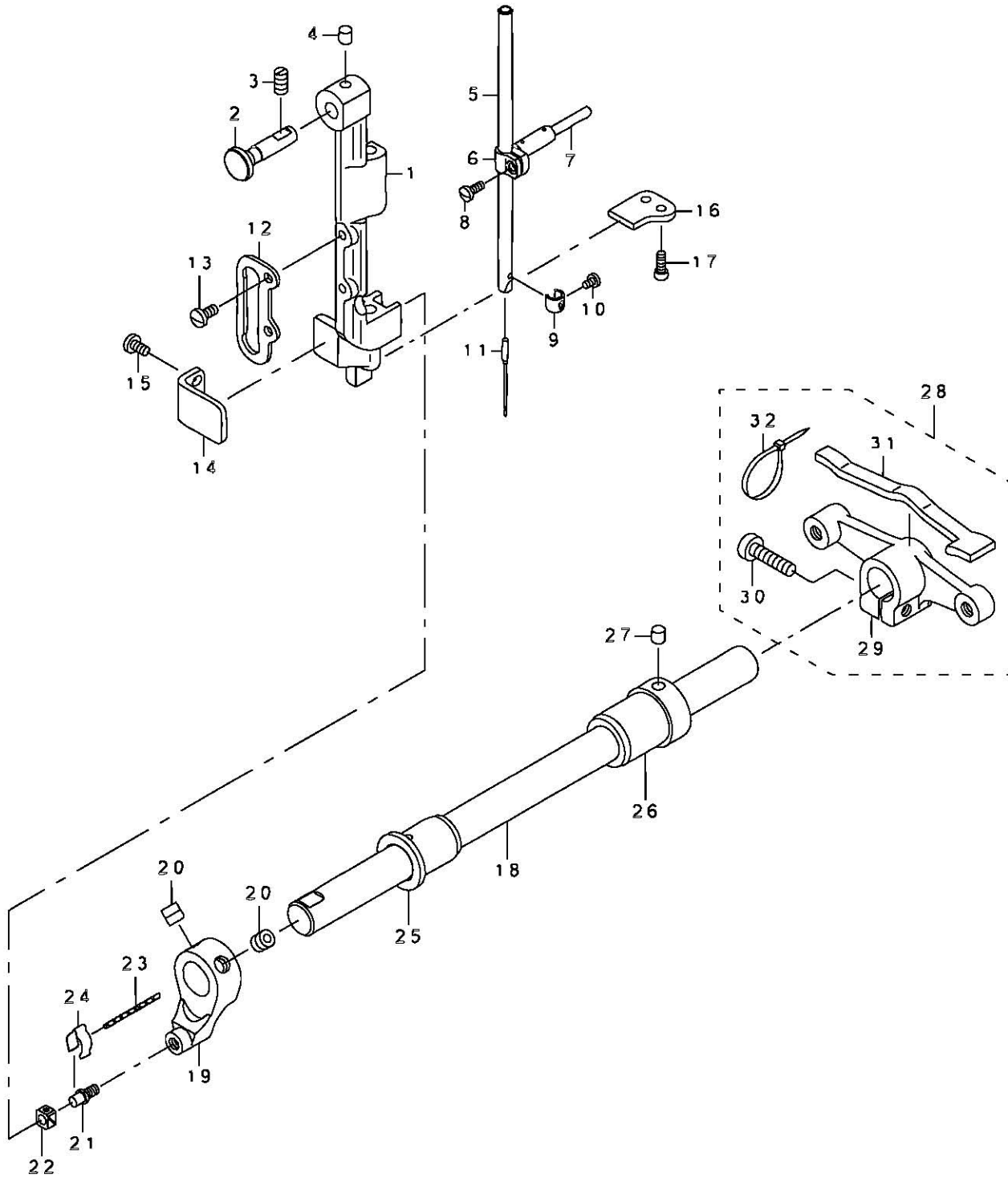
2. UPPER SHAFT DRIVING & BALANCE COMPONENTS



2. UPPER SHAFT DRIVING & BALANCE COMPONENTS

DESCRIPTION			
1	213-32705	UPPER SHAFT	1
2	213-33000	UPPER SHAFT FRONT METAL	1
3	B1905520000	THREAD TAKE-UP LEVER	1
4	B1907057000	TAKE-UP LEVER THRUST PIN	1
5	CQ-2020000-00	OIL WICK	0.03
6	B1906-051-000	TAKE-UP LEVER PIN	1
7	CQ-3030000-00	OIL WICK	0.45
8	SS-8150822-TP	SCREW 15/64-28 L=8	2
9	213-39106	NEEDLE BAR CRANK ROD	1
10	B1210-051-000	NEEDLE BAR CRANK PIN	1
11	CQ-5050000-11	OIL WICK	0.03
12	213-32507	COUNTER WEIGHT (A) (36MM)	1
13	SS-8150822-TP	SCREW 15/64-28 L=8	2
14	SM-8080812-TP	SCREW M8X8	2
15	213-39502	UPPER FEED CAM (3.5)	1
16	SS-8660810-TP	SCREW 1/4-40 L=8	2
17	213-33109	UPPER SHAFT INNER METAL	1
18	CQ-2020000-00	OIL WICK	0.15
19	213-36557	ECCENTRIC CAM A ASM.	1
20	213-36508	ECCENTRIC CAM A	<1>
21	SS-8660810-TP	SCREW 1/4-40 L=8	<2>
22	213-53008	HORIZONTAL FEED CAM COVER	1
23	SS-7110710-SP	SCREW 11/64-40 L=7	2
24	226-04904	UPPER SPROCKET	1
25	SS-666110-SP	SCREW 1/4-40 L=11	2
26	226-04300	TIMING BELT	1
27	214-02300	UPPER SHAFT BEARING HOOK	1
28	SM-8060602-TP	SCREW M6X6	2
29	B1203-512-000	BUSHING REAR	1
30	213-34008	FLYWHEEL	1
31	SS-8150822-TP	SCREW 15/64-28 L=8	2
32	213-33406	BALANCER	1
33	SS-8151550-SP	SCREW 15/64-28 L=15	2
34	SS-8150822-TP	SCREW 15/64-28 L=8	1

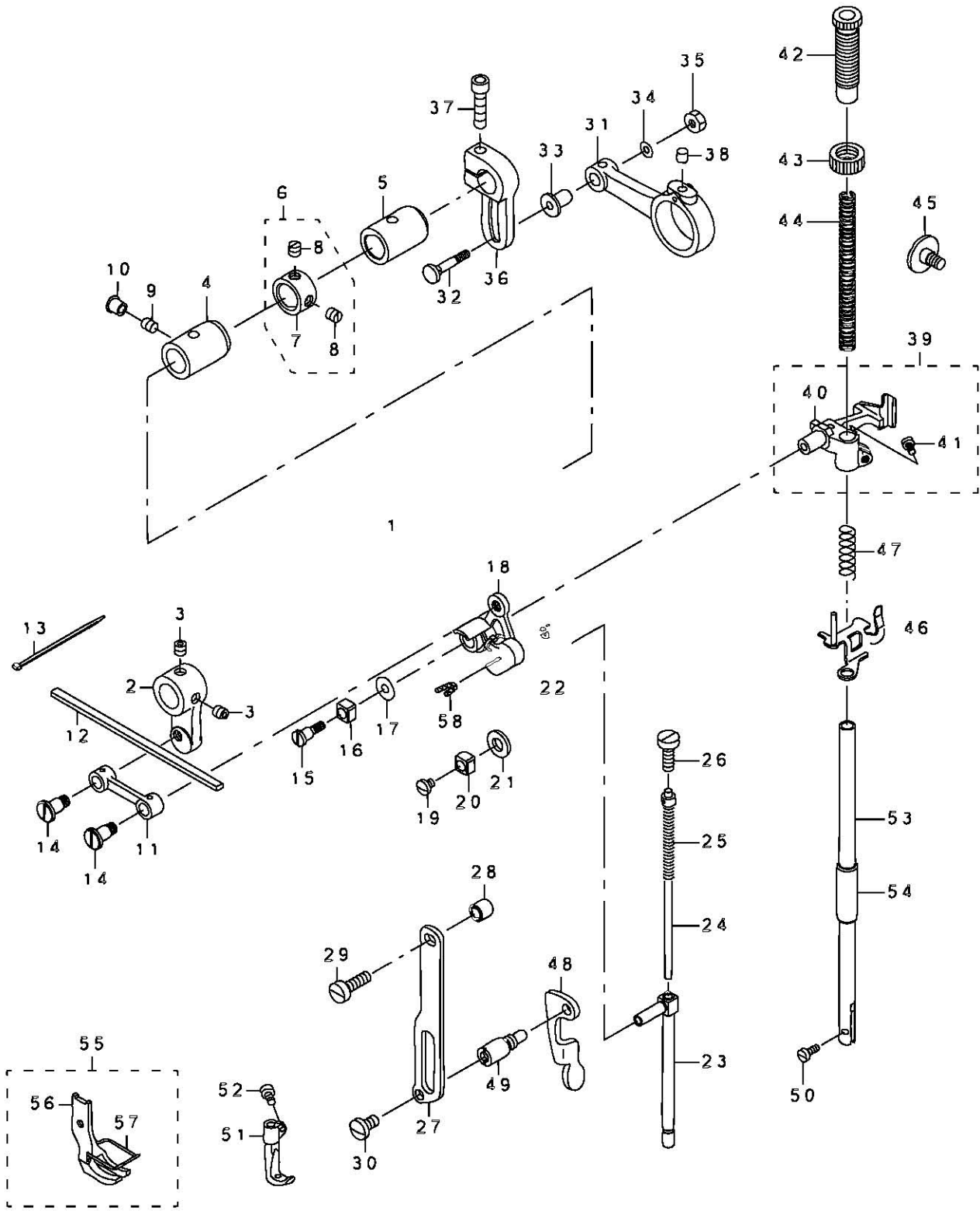
3. NEEDLE BAR ROCKING COMPONENTS



3. NEEDLE BAR ROCKING COMPONENTS

		DESCRIPTION	
1	B1420-563-000	NEEDLE BAR FRAME	1
2	214-05204	HINGE STUD	1
3	SS-8151150-TP	SCREW 15/64-28 L=10.5	1
4	228-14909	FELT	1
5	B1401-053-000	NEEDLE BAR	1
6	B1411-053-000	NEEDLE BAR CONNECTION	1
7	B1412-051-000	FELT	1
8	SS-7090910-SP	SCREW 9/64-40 L= 8.5	1
9	103-08609	THREAD GUARD	1
10	SS-7080510-TP	SCREW 1/8-44 L=4.5	1
11	MC-3720016-00	NEEDLE SY3355 160	1
12	B1467-563-000	UPPER FEED BAR GUIDE	1
13	SS-7110910-TP	SCREW 11/64-40 L= 8.5	2
14	213-38702	ROCKING BASE GUIDE	1
15	SS-7110830-SP	SCREW 11/64-40 L= 7.5	2
16	213-38603	ROCKING BASE GUIDE (B)	1
17	SS-6091022-TP	SCREW	2
18	213-38900	ROCKING SHAFT	1
19	213-38801	ROCKING FRONT ARM	1
20	SM-8080812-TP	SCREW	2
21	B1410-771-000	STUD	1
22	B1414-232-000	SQUARE BLOCK	1
23	CQ-202000-00	OIL WICK	0.05
24	B1437-051-000	OIL WICK RETAINER	1
25	213-39304	ROCKING SHAFT FRONT METAL	1
26	213-39205	BUSHING REAR	1
27	228-14909	FELT	1
28	213-39056	ROCKING REAR ARM ASM.	1
29	213-39007	ROCKING REAR ARM	<1>
30	SS-61522440-SP	SCREW 15/64-28 L=23.5	<1>
31	213-47406	ROCKING REAR ARM FELT	<1>
32	EA-9500B01-00	CABLE BAND	<2>

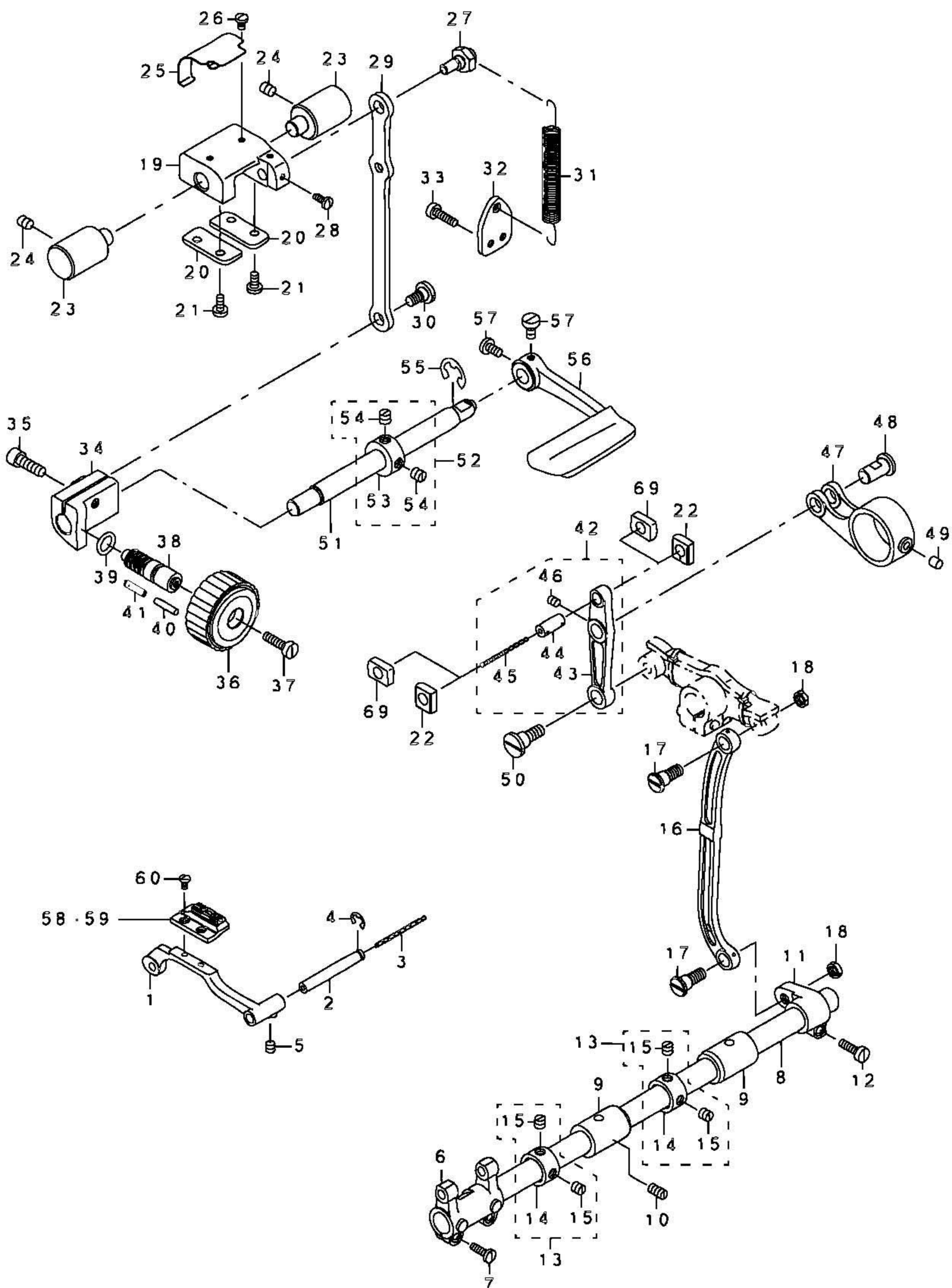
4. PRESSURE ADJUSTING & UPPER FEED MECHANISM COMPONENTS



4. PRESSURE ADJUSTING & UPPER FEED MECHANISM COMPONENTS

		DESCRIPTION	
1	213-40401	UPPER FEED SHAFT	1
2	213-40500	UPPER FEED FRONT ARM	1
3	SS-8660612-TP	SCREW 1/4-40 L=6	2
4	213-41904	FRONT METAL	1
5	213-78302	FEED SHAFT METAL	1
6	229-04155	MAIN SHAFT THRUST COLLAR ASM.	1
7	229-04106	MAIN SHAFT THRUST COLLAR	<1>
8	SS-8660610-TP	SCREW 1/4-40 L=6	<2>
9	SS-8150822-TP	SCREW 15/64-28 L=7	1
10	TA-0750704-R0	RUBBER PLUG	1
11	213-39908	UPPER FEED LINK	1
12	213-47109	FELT	1
13	EA-9500B00-00	CLIP CV-70S	2
14	B3016-141-H00	SCREW	2
15	SD-0640701-SP	SCREW	1
16	B1414-555-000	SLIDE BLOCK	1
17	WP-0501046-SC	WASHER 5 X 13 X 1	1
18	213-40807	TRIANGULAR LEVER ASM.	1
19	SS-7110710-SP	SCREW 11/64-40 L=5	1
20	B1414-555-000	SLIDE BLOCK	1
21	105-09701	FELT	1
22	B1465-053-000	WALKING BAR DRIVING LINK	1
23	B1466-563-000	WALKING BAR A	1
24	B1467-053-OA0	WALKING BAR ASM.	1
25	B1468-053-000	WALKING BAR SPRING	1
26	SS-6151780-SP	SCREW 15/64-28 L=17.0	1
27	214-06509	UPPER FEED GUIDE PLATE	1
28	135-14310	ROLLER	1
29	SS-6151920-SP	SCREW 15/64-28 L=19.0	1
30	SS-7150740-SP	SCREW 15/64-28 L=7	1
31	213-40104	UPPER FEED ROD	1
32	D1456-055-B00	HINGE SCREW	1
33	D1455-055-B00	CONNECTING STUD	1
34	WP-0482086-SD	WASHER 4.8X11.5X2	1
35	NS-6110530-SP	NUT 11/64-40	1
36	213-40203	UPPER FEED REAR ARM	1
37	SM-9062250-SC	SCREW M6 L=25	<1>
38	228-14909	FELT	<1>
39	213-41052	PRESSER BAR HOLDER A ASM.	1
40	213-41003	PRESSER BAR HOLDER A	1
41	SS-7110910-TP	SCREW 11/64-40 L= 8.5	1
42	213-40906	PRESSER ADJUSTING SCREW	1
43	B1511-555-000	PRESSER SPRING REGULATOR NUT	1
44	B1502-246-000	PRESSER SPRING	1
45	SD-0800481-SP	HINGE SCREW D= 8 H= 4.9	1
46	213-41151	THREAD RELEASE HOLDING PLATE	1
47	B1462-053-000	THREAD RELEASE SPRING	1
48	214-06103	PRESSER LIFTER LEVER	1
49	214-06608	GUIDE PLATE SPACER	1
50	SS-6090910-TP	SCREW 9/64-40 L=9	1
51	B1470-241-H00	WALKING FOOT	1
52	SS-4110815-SP	SCREW	1
53	B1501-241-H00	PRESSER BAR	1
54	B1510-155-000	PRESSER BAR LOWER BUSHING	1
55	B1525-241-HA0	PRESSER FOOT ASM.	1
56	B1525-241-H00	PRESSER FOOT	<1>
57	103-37905	FINGER GUARD	<1>

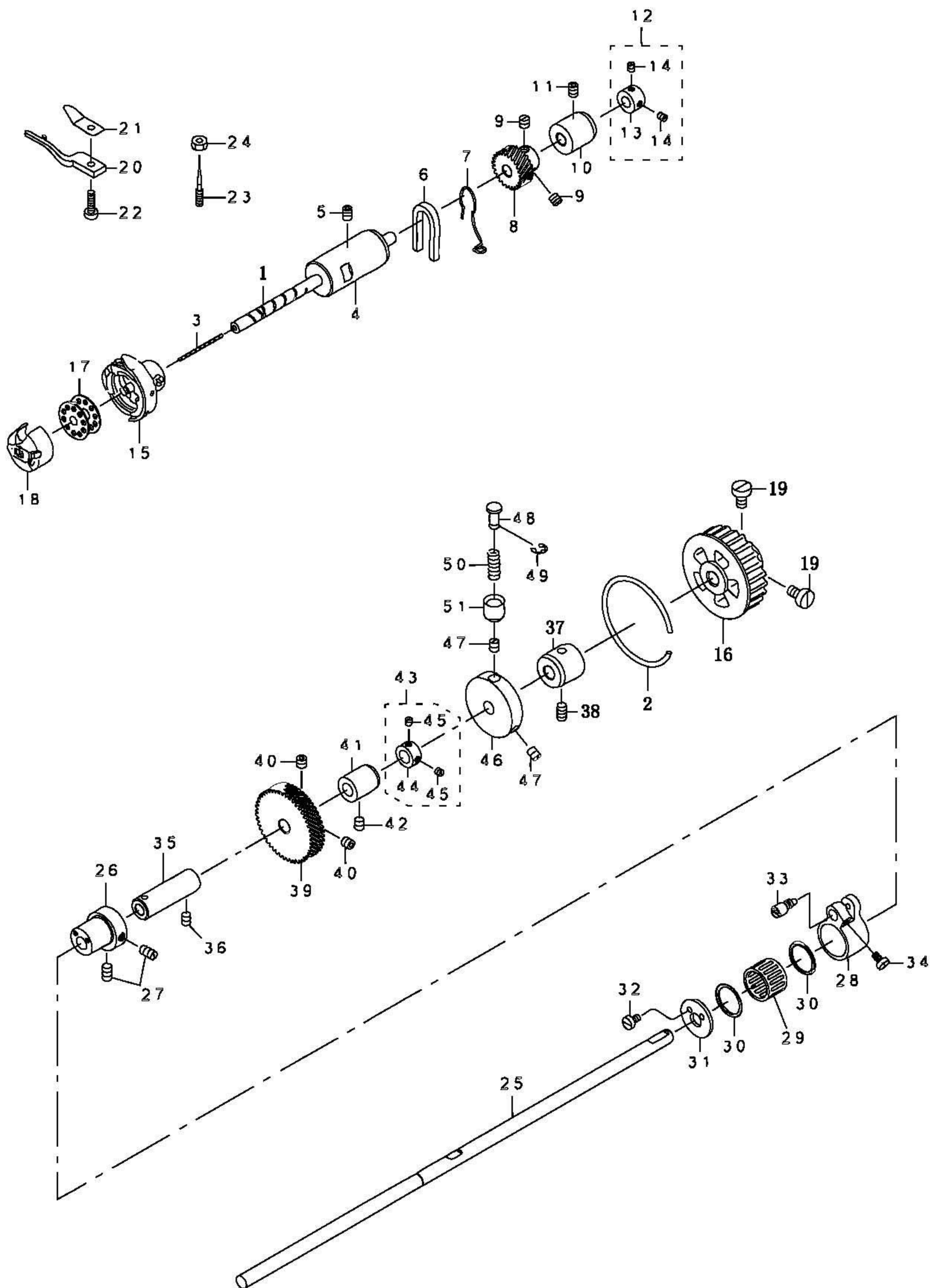
5. FEED MECHANISM COMPONENTS



5. FEED MECHANISM COMPONENTS

		DESCRIPTION	
1	214-05006	FEED BASE	1
2	B1604-012-000-A	FEED BAR SHAFT	1
3	CQ-2020000-00	OIL WICK	1
4	RE-0500711-KP	SNAP RING 5	1
5	SM-8050502-TP	SCREW	1
6	B1603-512-000	FEED ROCKER	1
7	SS-7111410-TP	SCREW 11/64-40 L=14	2
8	226-09408	FEED ROCK SHAFT	1
9	213-78302	FEED SHAFT METAL	2
10	SS-8151150-TP	SCREW 15/64-28 L=10.5	1
11	226-09309	FEED ROCKER SHAFT CRANK	1
12	SS-6121610-TP	SCREW 3/16-28 L=15.5	1
13	229-04155	MAIN SHAFT THRUST COLLAR ASM.	2
14	229-04106	MAIN SHAFT THRUST COLLAR	<1>
15	SS-8660610-TP	SCREW 1/4-40 L=6	<2>
16	102-05201	NEEDLE BAR FRAME ROD	1
17	SD-0900701-TP	HINGE SCREW D=9 H=7	2
18	NS-6680320-SP	NUT 9/32-28	2
19	213-37506	FEED ADJUSTING BASE	1
20	213-37704	FEED ADJUSTING BASE COVER	2
21	SS-7110910-TP	SCREW 11/64-40 L= 8.5	4
22	213-37407	SQUARE BLOCK	2
23	213-37803	FEED ADJUSTING BASE SUPPORT	2
24	SS-8150822-TP	SCREW 15/64-28 L=8	2
25	213-38306	FELT SUPPORT	1
26	SS-5090610-SP	SCREW 9/64-40 L=6	2
27	213-37902	ECCENTRIC PIN	1
28	SS-709010-TP	SCREW 9/64-40 L= 8.5	2
29	213-37308	FEED ADJUSTING ROD	1
30	SD-0800402-TP	HINGE SCREW D= 8 H= 4	1
31	213-37605	SPRING	1
32	213-38009	SPRING HOOK	1
33	SS-7111410-TP	SCREW 11/64-40 L=16	2
34	213-37209	FEED ADJUSTING A	1
35	SM-6061802-TP	SCREW M6 L=18	1
36	213-36805	FEED DIAL A	1
37	SS-6121860-SP	SCREW 3/16-28 L=18	1
38	110-09909	FEED REGULATOR SCREW	1
39	RO-0922702-00	RUBBER RING	1
40	110-52701	FEED REGULATOR PIN	1
41	229-12109	FEED REGULATOR PIN SPRING	1
42	213-36656	FEED LINK ASM.	1
43	213-36607	FEED LINK	<1>
44	B1418-761-000	CONNECTING FORKED LINK PIN	<1>
45	CQ-2020000-00	OIL WICK	<0.04>
46	SM-8050502-TP	SCREW M5X6	<1>
47	213-36706	FEED ROD A	1
48	213-38207	FEED LINK PIN	1
49	228-14909	FELT	1
50	SD-1000801-SH	HINGE SCREW D=10 H=8	1
51	213-36300	BACKWARD FEED LEVER SHAFT	1
52	CS-1201010-SH	THRUST COLLAR ASM. D=12 W=10	1
53	CS-1201011-SH	THRUST COLLAR D=12 W=10	<1>
54	SS-8660610-TP	SCREW 1/4-40 L=6	<2>
55	RE-0900000-KO	E-RING 9	1
56	226-10505	REVERSE FEED ROCK SHAFT	1
57	SS-6120930-TP	SCREW 3/16-28 L=9	2
58	#01 214-10204	FEED DOG (4X2.5)	1
59		FEED DOG (6X2.5)	
60	SS-4080620-TP	SCREW 1/8-44 L=6	2

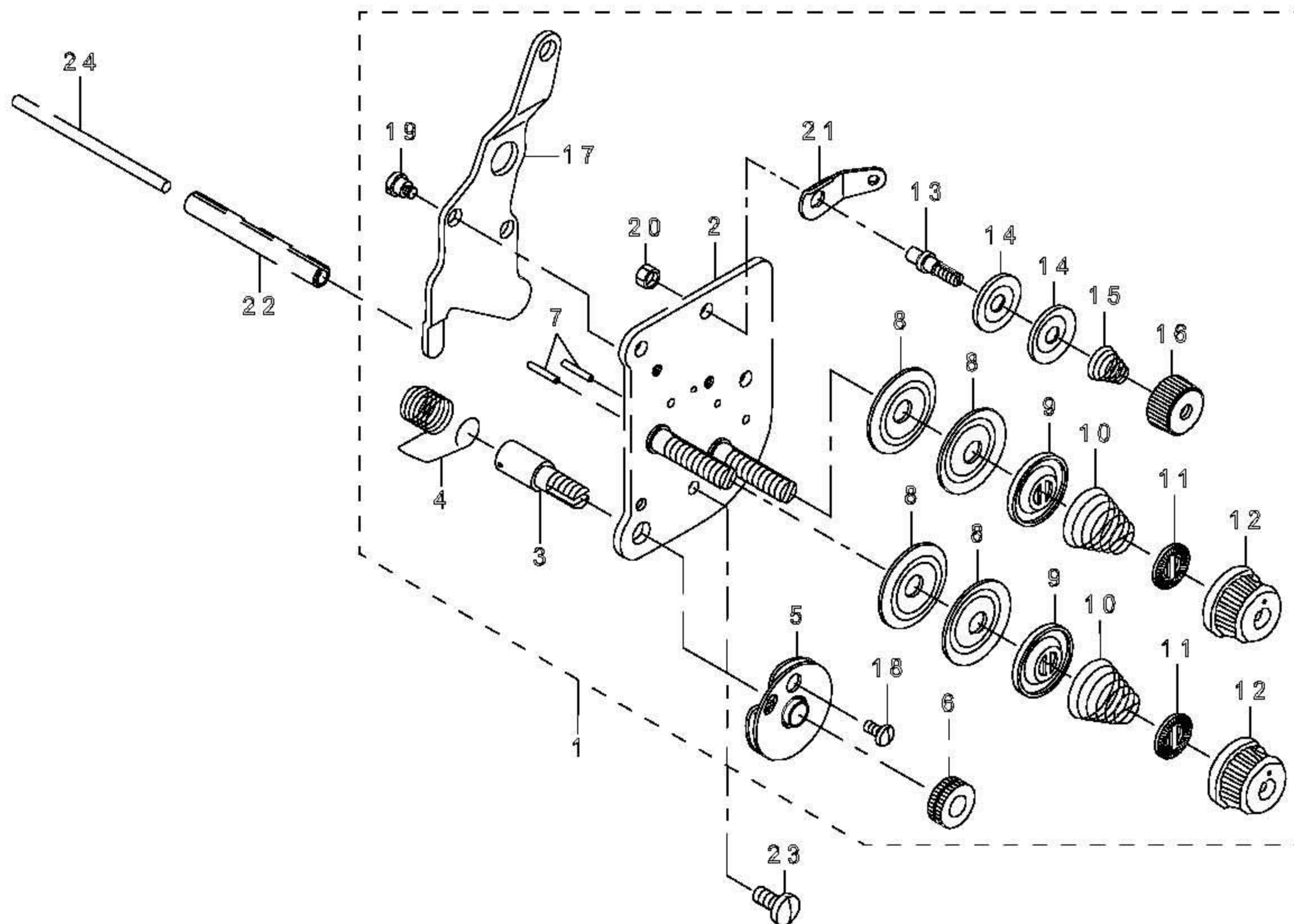
6. HOOK SHAFT & LOWER SHAFT COMPONENTS



6. HOOK SHAFT & LOWER SHAFT COMPONENTS

DESCRIPTION			
1	214-03506	HOOK SHAFT	1
2	B1214-019-000	SPROCKET RING	1
3	CO-2000000-00	OIL WICK	0.1
4	B1802-141-H00-A	DRIVING SHAFT BUSHING FRONT	1
5	SS-8150822-TP	SCREW 15/64-28 L=8	1
6	B1155-141-H00	OIL PIEP	1
7	214-07804	FELT SUPPORT	1
8	214-04009	HOOK SHAFT GEAR A	1
9	SS-8660610-TP	SCREW 1/4-40 L=6	2
10	B1803-141-H00	BUSHING NTERMEDIATE	1
11	SS-8150822-TP	SCREW 15/64-28 L=8	1
12	CS-0791010-SH	THRUST COLLAR ASM. D=7.94 W=10	1
13	CS-0791016-SH	THRUST HOLDER D=7.94 W=10	<1>
14	SS-8660610-TP	SCREW 11/64-40 L=4	<2>
15	B1830-241-HA0	HOOK ASM.	1
16	#01 226-23201	SPROCKET WHEEL	1
17	B9117-201-000	BOBBIN	1
18	B1837-241-H00	BOBBIN CASE	1
19	SS-666110-SP	SCREW 1/4-40 L=11	2
20	110-38809	BOBBIN CASE HOLDER	1
21	B1829-241-H00	THREAD PRESSER PLATE	1
22	SS-6111620-SP	SCREW 11/64-40 L=16.0	1
23	B1834-512-000-A	OIL ADJUSTING SCREW	1
24	NS-6110530-SP	NUT 11/64-40	1
25	214-02409	LOWER SHAFT	1
26	214-05105	FEED DRIVING CAM	1
27	SS-8151150-TP	SCREW 15/64-28 L=10.5	2
28	236-18200	FEED DRIVING BASE ARM	1
29	SB-3200006-0A	BEARING	1
30	236-18101	FEED DRIVING CAM THRUST BUSH	2
31	214-05303	FEED DRIVING CAM PLATE	1
32	SS-6090670-TP	SCREW 9/64-40 L=6	2
33	236-18408	FEED DRIVING BASE SHAFT	1
34	SS-7110720-SP	SCREW 11/64-40 L=7	1
35	214-02508	LOWER SHAFT FRONT METAL	1
36	SS-8150822-TP	SCREW 15/64-28 L=7	1
37	214-02805	LOWER SHAFT BACK METAL	1
38	SS-8150822-TP	SCREW 15/64-28 L=7	1
39	214-02706	LOWER SHAFT GEAR	1
40	SS-8660612-TP	SCREW 1/4-40 L=6	2
41	214-02607	LOWER SHAFT INNER METAL	1
42	SS-8150822-TP	SCREW 15/64-28 L=7	1
43	CS-0950810-SH	THRUST COLLAR ASM. D=9.5 W=8	1
44	CS-0950816-SH	THRUST COLLAR D=9.5 W=8	<1>
45	SS-8110410-TP	SCREW 11/64-40 L= 3.5	<2>

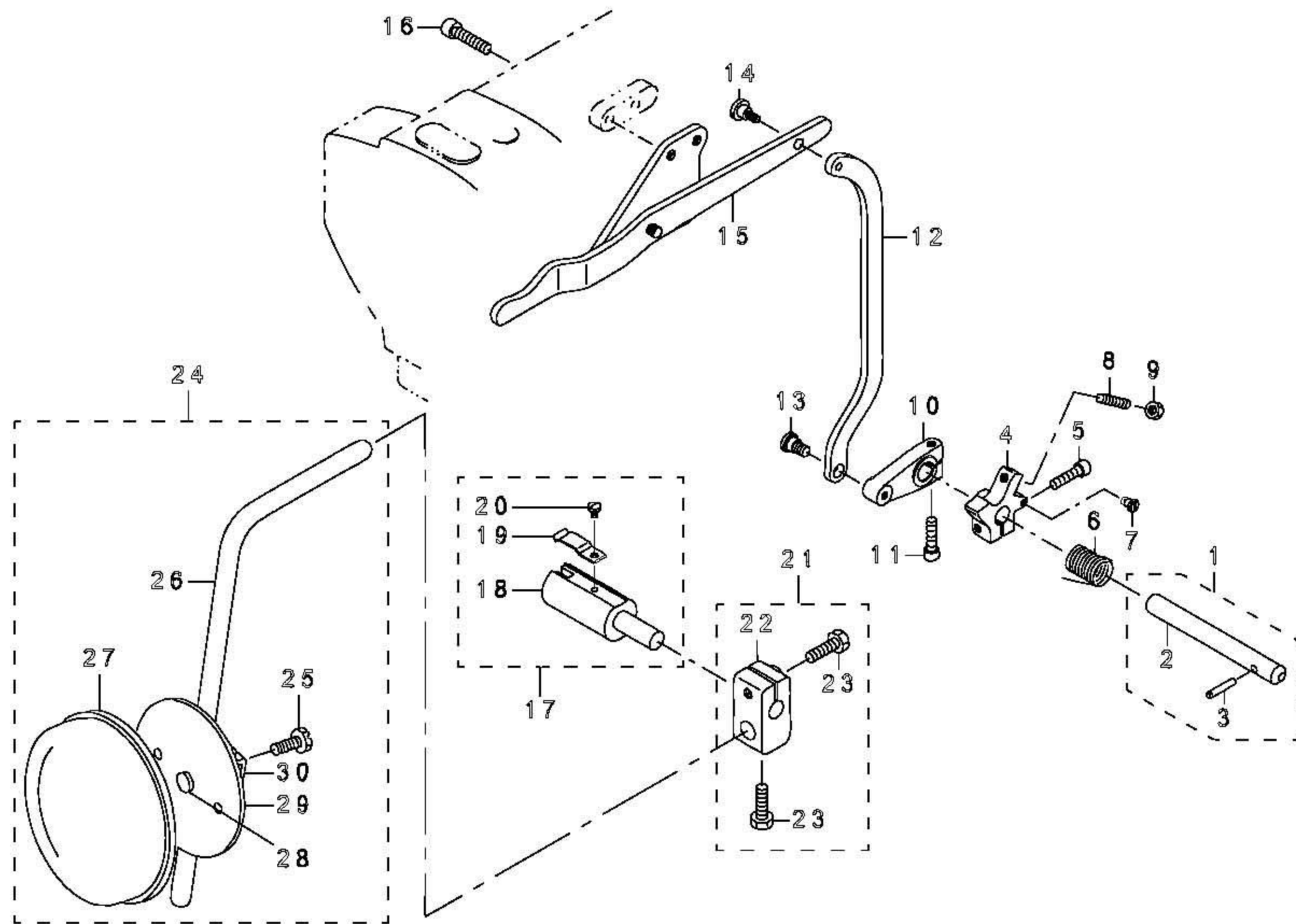
8. THREAD TENSION COMPONENTS



DESCRIPTION

		DESCRIPTION	
1	21409065	THREAD TENSION ASM.	1
2	21409057	THREAD POST BASE COMPL.	<1>
3	10320109	SCREW STUD	<1>
4	3128520000	THREAD TAKE-UP SPRING A	<1>
5	B13130510A0	TAKE-UP SPRING GUIDE DISC ASM.	<1>
6	10320208	THRED TENSION STUD NUT	<1>
7	B3127051000	TENSION RELEASE PIN SHORT	<2>
8	B3126012000	THREAD TENSION DISK	<4>
9	22617906	THREAD TENSION DISK PRESSER	<2>
10	B3129053000	TENSION SPRING	<1>
11	B3120125000	ROTATING STOPPER	<2>
12	B3125012000	THREAD TENSION NUT	<2>
13	10124204	THREAD TENSION POST A	<1>
14	B3214047000	BOBBIN WINDER TENSION DISC	<2>
15	D3168555H0B	TENSION SPRING NO. 1	<1>
16	11072402	THREAD TENSION NUT	<1>
17	21441100	THREAD RELEASE PLATE	<1>
18		SCREW STUD	<1>
19	SD0470281SP	HINGE SCREW D=4.7 H=2.8	<1>
20	NS6110310SP	NUT 11/64-40	<1>
21		ROTATING STOPPER	<1>
22	PS0600502KP	SPRING PIN	<1>
23	SS7110910TP	SCREW 11/64-40 L= 8.5	<1>
24	21348206	TENSION RELEASE BAR	<1>

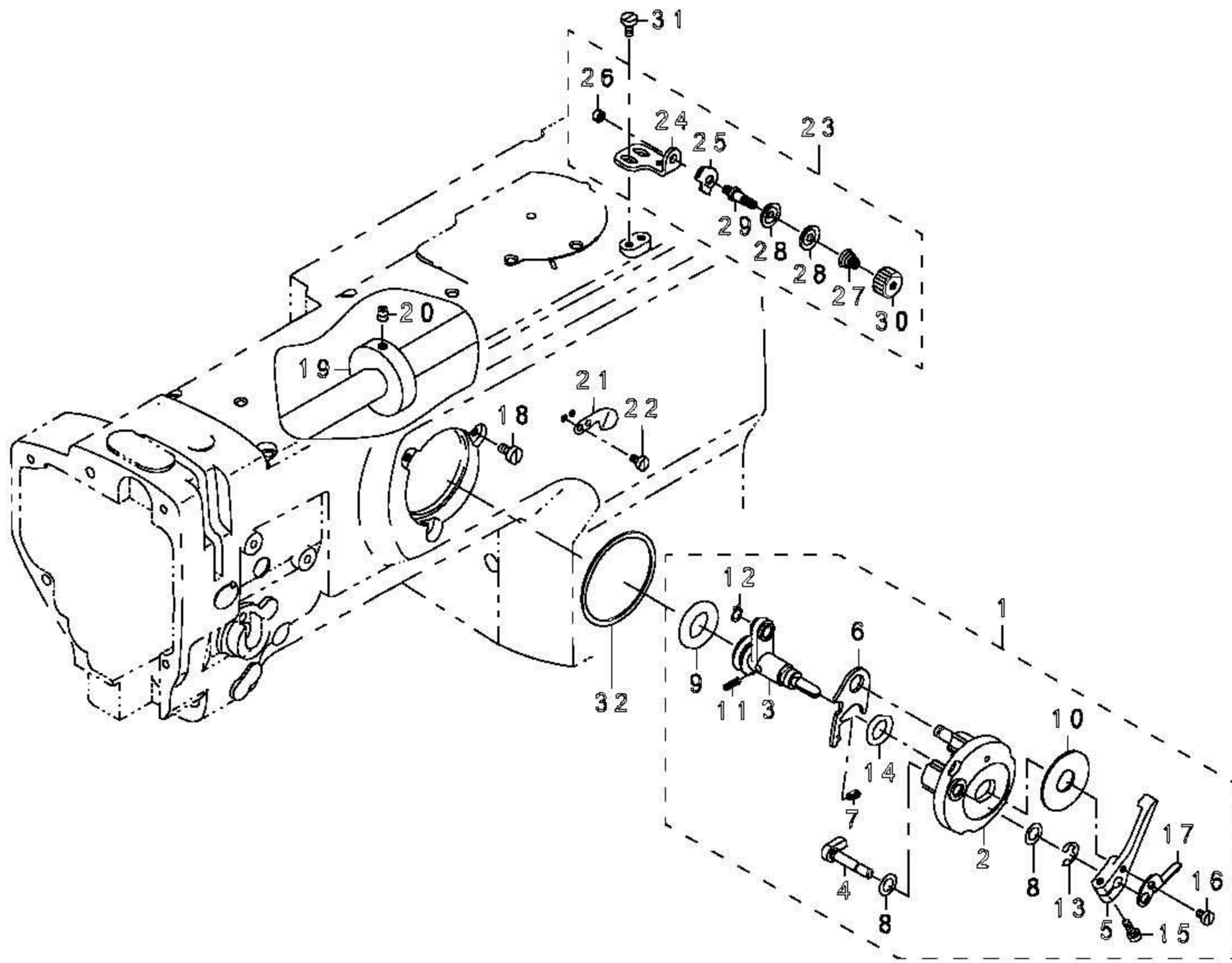
9. KNEE LIFTING COMPONENTS



DESCRIPTION

QTY	PART NO.	DESCRIPTION	QTY
1	214-06053	KNEE LIFTER SHAFT ASM.	1
2	214-06004	KNEE LIFTER SHAFT	<1>
3	213-42605	KNEE LIFTER SHAFT PIN	<1>
4	214-05808	KNEE LIFTER SPRING RACK	1
5	SM-6051602-TP	SCREW M5 L=20	1
6	214-05907	KNEE LIFTER SHAFT SPRING	1
7	SD-0450401-SP	HINGE SCREW D= 4.5 H= 4	1
8	SM-8052502-TP	SCREW M5X0.8 L=25	1
9	NM-6050001-SD	NUT M5X0.8	1
10	214-05709	KNEE LIFTER ARM	1
11	SM-6051602-TP	SCREW M5 L=20	1
12	214-05600	KNEE LIFTER CONNECTING PLATE	1
13	SD-0790451-SP	HINGE SCREW D= 7.94 H= 4.5	1
14	SD-0700451-TP	HINGE SCREW D=7 H=4.5	1
15	213-43355	KNEE LIFTER LEVER ASM.	1
16	SM-6062502-TP	SCREW M6 L=25	2
17	228-63252	KNEE LIFTER JOINT ASM.	1
18	228-63203	KNEE LIFTER JOINT	<1>
19	B3428-521-000	PRESSER SPRING	<1>
20	SS-7090510-SP	SCREW 9/64-40 L= 4.6	<1>
21	229-32453	BRACKET ASM.	1
22	229-32404	BRACKET	<1>
23	229-34707	SCREW	<2>
24	213-43157	KNEE PRESS PLATE ASM.	1
25	SM-9061203-SE	SCREW M6 L=12	<1>
26	213-43108	KNEE PRESS LEVER	<1>
27	229-34509	KNEE PAD PLATE COVER	<1>
28	229-34400	KNEE PAD PLATE RUBBER	<1>
29	229-34202	KNEE PAD PLATE	<1>
30	229-34301	KNEE PAD PLATE SUPPORT	<1>

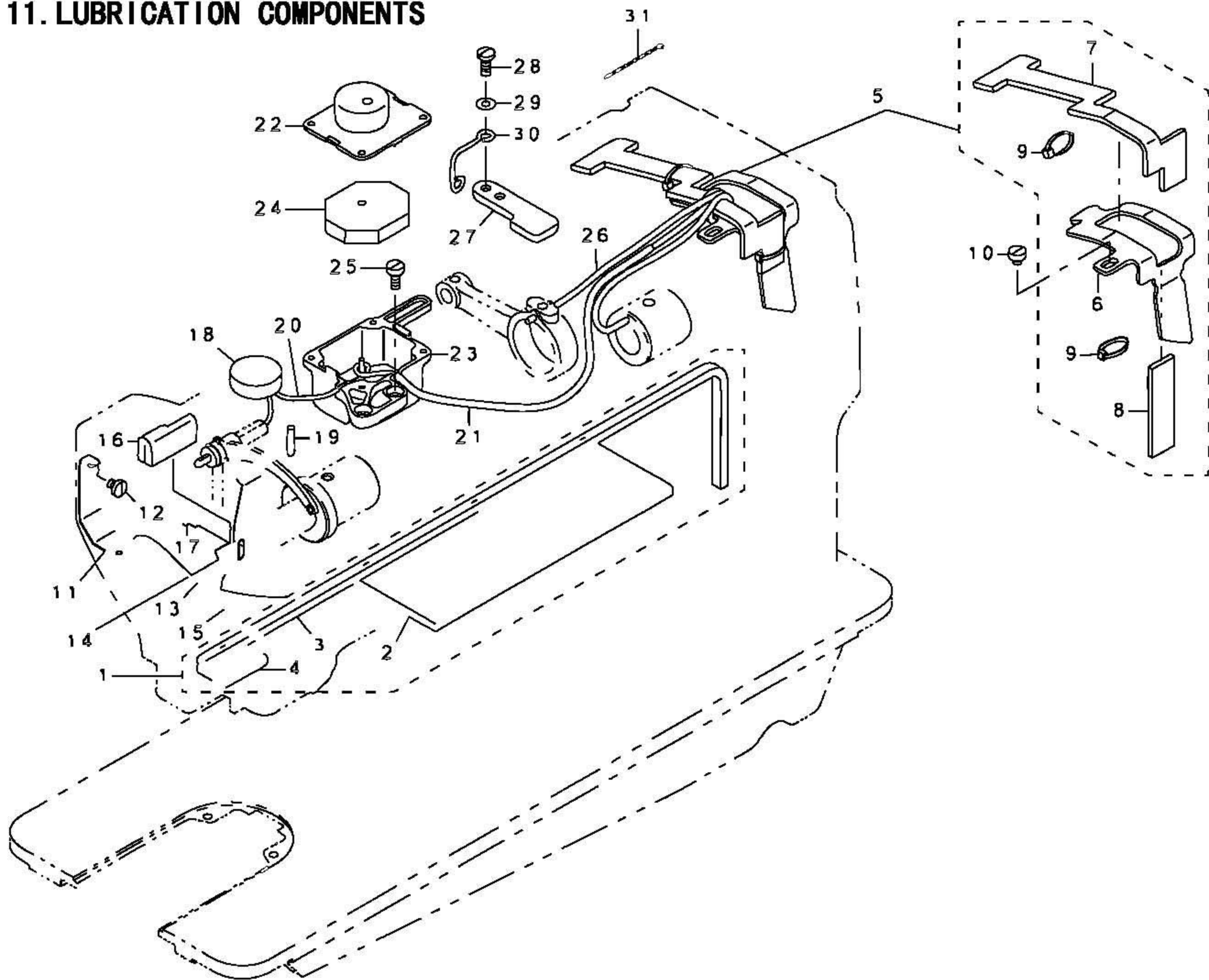
10. LOWER THREAD WINDER MECHANISM COMPONENTS



DESCRIPTION

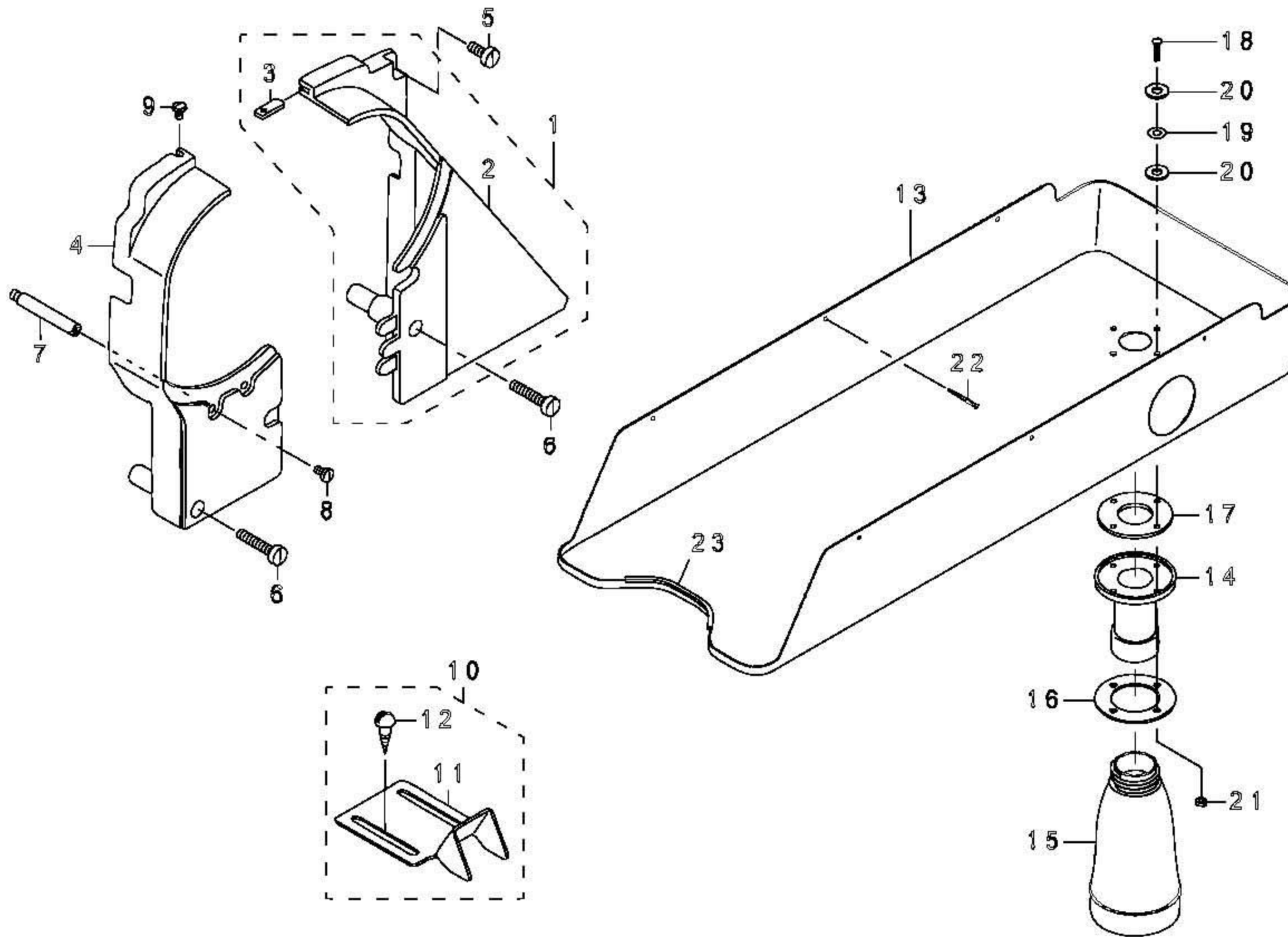
NO.	PART NO.	DESCRIPTION	QTY.
1	213-57967	BOBBIN DEVICE ASM.	1
2	225-37658	BOBBIN FITTING BASIS COMPL.	(1)
3	213-57959	BOBIN SHAFT COMPL.	(1)
4	225-38151	BOBBIN CAM SHAFT COMPL.	(1)
5	236-36202	BOBBIN LEVER	(1)
6	225-38409	ADJUSTING PLATE	(1)
7	B1529-890-00C-A	PRESSUR FOOT SPRING	(1)
8	106-18304	VERTICAL ROLLER WASHER	(2)
9	A3216-001-00A	BOBBIN FRICTION GEAR	(1)
10	B3205-210-000	CUSHION	(1)
11	B1148-555-000	SPRING	(1)
12	RC-0560711-KP	RETAINING RING	(1)
13	RE-0500000-KO	E-RING	(1)
14	RO-0922702-00	RUBBER RING	(1)
15	SS-7091410-SP	SCREW 9/64-40 L=13.5	(1)
16	SS-6090520-SP	SCREW 9/64-40 L= 5.0	(1)
17	145-12503	BOBBIN ADJUSTING PLATE	(1)
18	SS-6110810-TP	SCREW 11/64-40 L=8	3
19	107-04807	BOBBIN FRICTION WHEEL	1
20	SM-8050502-TP	SCREW M5 L=6	2
21	105-02300	THREAD CUTTER	1
22	SS-6090620-TP	SCREW	1
23	213-55755	LOWER THREAD GUIDE ASM.	1
24	213-55706	FITTING BASE	(1)
25	D3162-555-B00	THREAD GUIDE	(1)
26	NS-6110310-SP	NUT 11/64-40	(1)
27	D3168-555-HOB	TENSION SPRING NO. 1	(1)
28	B3214-047-000	BOBBIN WINDER TENSION DISC	(2)
29	213-78708	THREAD TENSION POST	(1)
30	110-72402	THREAD TENSION NUT	(1)
31	SM-6040800-SP	SCREW	2
32	225-38706	PACKING	1

11. LUBRICATION COMPONENTS



DESCRIPTION			
1	213-45756	ARM ONCE THROUGH OIL FELT ASM.	1
2	213-45707	ARM ONCE THROUGH FELT A	1
3	213-45806	FELT B	1
4	213-45905	FACE ONCE THROUGH FELT	1
5	213-46358	FELT SUPPORT ASM.	1
6	213-46309	FELT	(1)
7	213-46507	FEED CHANGE FELT	(1)
8	213-46408	FELT	(1)
9	EA-9500B00-00	CLIP CV-70S	(2)
10	SS-7110710-SP	SCREW 11/64-40 L=4.3	1
11	213-40708	UPPER FEED OIL BAR PLATE	1
12	SS-7110710-SP	SCREW 11/64-40 L=5	1
13	CQ-2020000-00	OIL WICK	0.2
14	213-47000	TAKE-UP OIL PLATE	1
15	CQ-2020000-00	OIL WICK	0.2
16	213-47208	TAKE-UP LUBRICATION FELT	1
17	SS-5090610-SP	SCREW 9/64-40 L=6	1
18	213-46002	FELT	1
19	B1412-051-000	FELT	1
20	CQ-2520000-00	OIL WICK	0.3
21	BT-0500300-EA	OIL TUBE	0.25
22	214-07507	OIL TANK A	1
23	214-07606	OIL TANK B	1
24	214-07705	FELT	2
25	SS-6111010-SP	SCREW 11/64-40 L= 9.5	2
26	CQ-2020000-00	OIL WICK	0.2
27	213-39700	UPPER FEED STOPPER PLATE (B)	1
28	SS-4110815-SP	SCREW	2
29	WP-0450801-SD	WASHER 4.5X10X0.8	1
30	226-20504	OIL WICK HOLDER	1
31	EA-9500B00-00	CLIP CV-70S	1

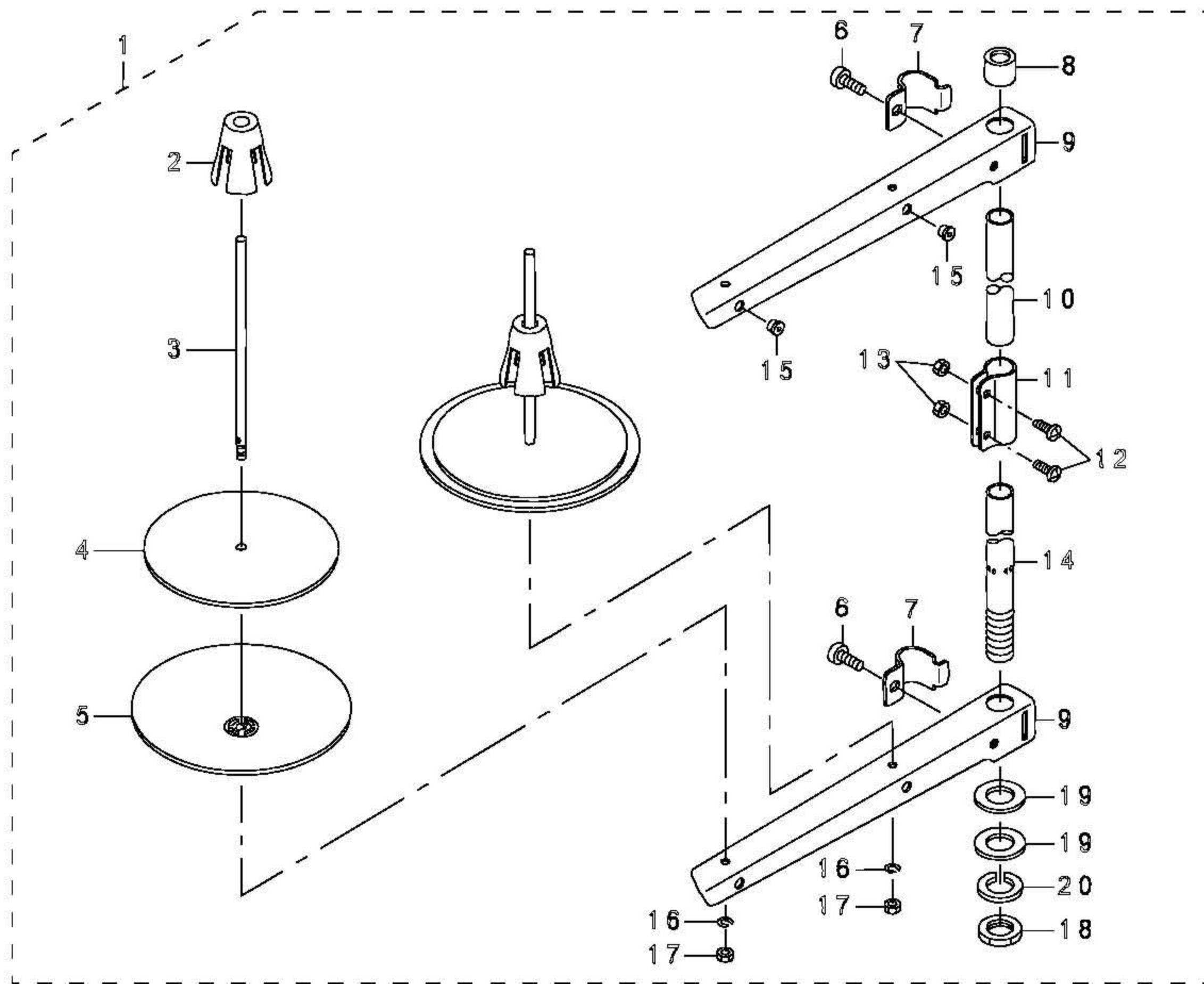
12. BELT COVER & OIL RESERVOIR COMPONENTS



DESCRIPTION

QTY	PART NO.	DESCRIPTION	QTY
1	213-51150	BELT COVER ASM. (RIGHT)	1
2	213-51101	BELT COVER (RIGHT)	<1>
3	213-51002	BELT COVER AUXILIARY PLATE	<1>
4	213-51200	BELT COVER (LEFT)	1
5	SS-6151440-SP	SCREW 15/64-28 L=14	1
6	SS-6153040-SP	SCREW 15/64-28 L=30	2
7	D8232-241-E00	BELT COVER SUPPORT A	1
8	SS-4110815-SP	SCREW 11/64-40 L=7.8	1
9	SS-5110740-TP	SCREW 11/64-40 L= 6.5	1
10	107-55254	BELT COVER C ASM. (FOR JE)	1
11	107-55205	BELT COVER C(JE)	<1>
12	SK-3482500-SC	WOOD SCREW D=4.8 L=25	<2>
13	214-13000	OIL RESERVOIR	1
14	B8202-205-000	OIL MANAGEMENT	1
15	B9121-012-000	OIL CAN	1
16	B8111-220-000	OIL MANAGEMENT WASHER	1
17	B8112-220-000	OIL SEAL	1
18	SM-303101-SE	SCREW M3X0.5 L=14	4
19	WP-0320501-SC	WASHER M3	4
20	107-48101	OIL REMOVING SETSCREW PACKING	8
21	NM-6030001-SC	NUT M3	4
22	105-39906	SET NAIL	6
23	MAV-02130000	EDGING	1

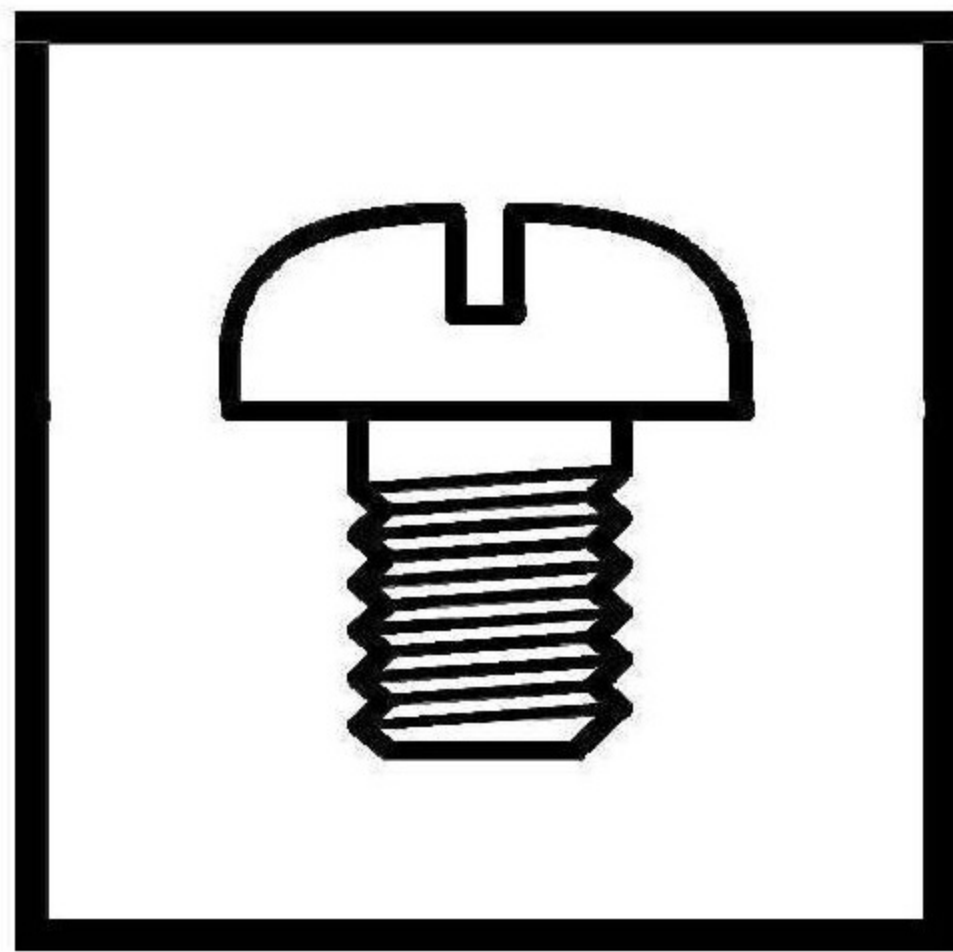
13. THREAD STAND COMPONENTS



DESCRIPTION

QTY	PART NO.	DESCRIPTION	QTY
1	229-30358	THREAD STAND ASM.	1
2	229-31109	SPOOL RETAINER	(2)
3	229-31000	SPOOL PIN	(2)
4	229-30903	SPOOL REST CUSHION	(2)
5	229-30804	SPOOL REST	(2)
6	SM-6061610-SC	SCREW M6 L=16	(2)
7	229-30705	THREAD GUIDE ARM JOINT	(2)
8	229-31406	SPOOL REST ROD RUBBER CAP	(1)
9	229-30507	SPOOL REST ARM	(2)
10	229-31308	SPOOL REST ROD UPPER	(1)
11	229-31307	SPOOL REST ROD JOINT	(1)
12	SM-4051408-SE	SCREW M5 L=14	(2)
13	NM-6050001-SE	NUT M5	(2)
14	229-30309	SPOOL REST ROD LOWER	(1)
15	229-31208	THREAD GUIDE	(2)
16	WS-0510002-KN	SPRING WASHER	(2)
17	NM-6050001-SE	NUT M5	(2)
18	NM-6160511-SE	NUT M16X1.5	(1)
19	WP-1612616-SE	WASHER 16X30X2.6	(2)
20	WS-1643202-KP	SPRING WASHER	(1)

GLOBAL



GLOBAL
PARTS