

# GLOBAL

**DN 8420 AUT**

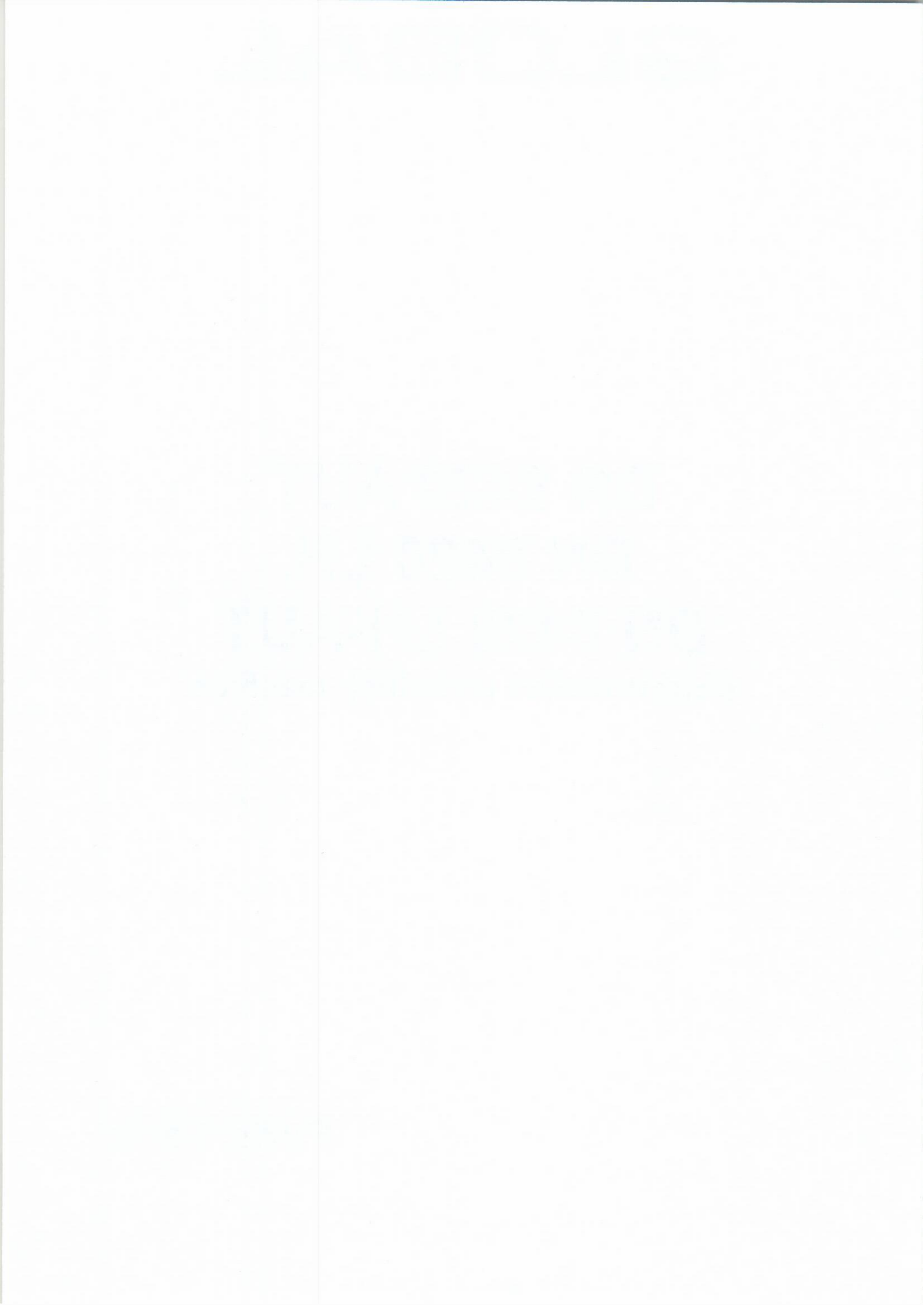
**DN 8420 LH**

**DN 8420 LH-AUT**

**Double needle lockstitch machine**

**Parts book**

*Always switch off the electricity when working on  
the machine.*



## Notes for using this parts book

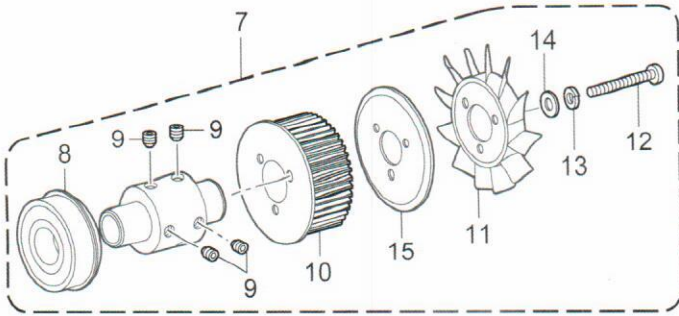
1. Parts are subject to changes in design without prior notice.
2. Parts supplied as complete assemblies are circled by a dotted line.
3. The 8750B machine with large hook is based on 8450B. And the 8452B, 8752B direct drive lockstitch sewing machine with thread trimmer is based on 8450B, 8750B minimum lubrication lock stitcher. The manual lists the special parts only for 8452B, 8750B, 8752B machine. For other parts , please check "Parts book of 8450B machine".
4. If the symbol \* is found in the "Parts No." column, refer to the " Different parts list"and "Gauge parts list" on page 23-28.
5. The "※" marked parts are only for information.

## CONTENTS

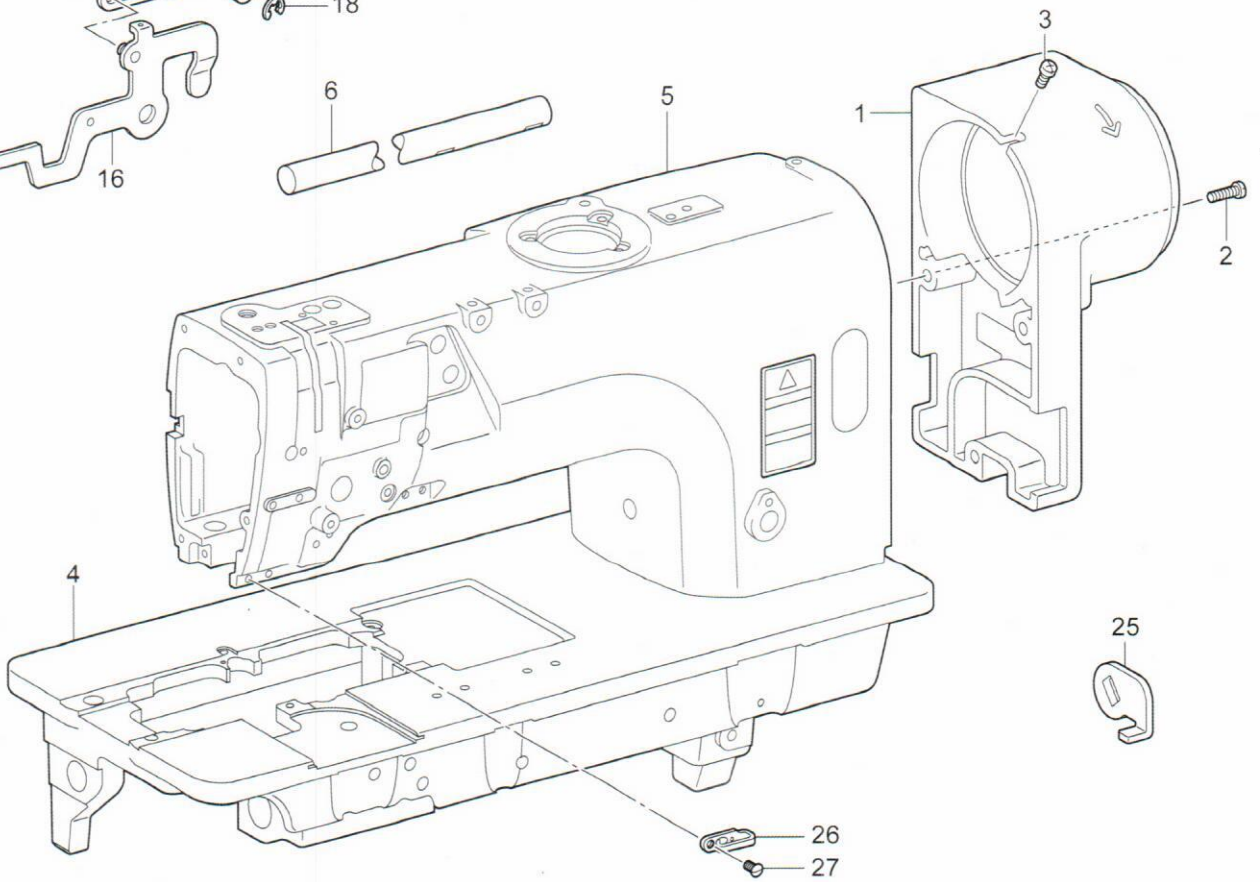
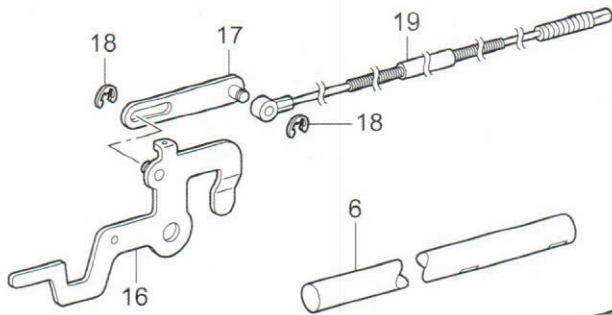
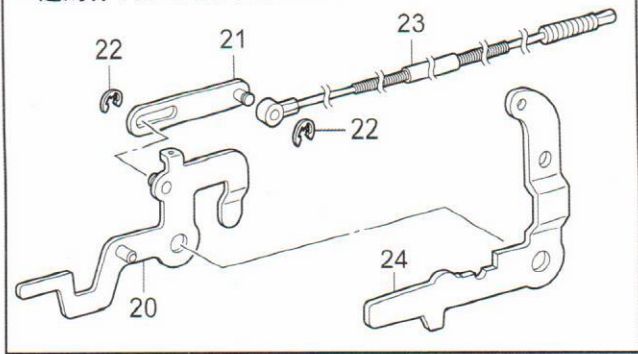
1. Machine head mechanism .....	1
2. Quick reverse mechanism (8452B, 8752B) .....	3
3. Quick reverse switch mechanism (8452B, 8752B) .....	3
4. Rotary hook mechanism (8452B) .....	5
5. Rotary hook mechanism (8750B) .....	5
6. Rotary hook mechanism (8752B) .....	7
7. Rotary hook mechanism .....	9
8. Tension release mechanism (8452B, 8752B) .....	9
9. Thread trimmer mechanism (8452B, 8752B) .....	11
10. Thread wiper mechanism (8452B, 8752B) .....	13
※ 11. Control box and motor mechanism (Option parts) .....	15
※ 12. Control box mechanism (Option parts) .....	17
※ 13. Power supply equipment mechanism .....	19
※ 14. Presser foot lifting solenoid mechanism (Option parts) .....	21
15. Different parts list .....	23
16. Gauge parts list .....	24

# 1. 机头部件 / Machine head mechanism

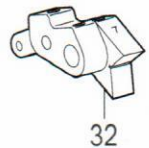
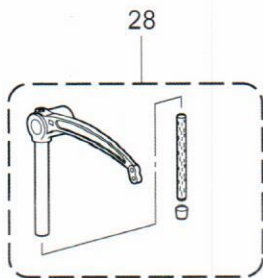
<8452B, 8752B>



< 选购件 / OPTION PARTS >



<8750B, 8752B>

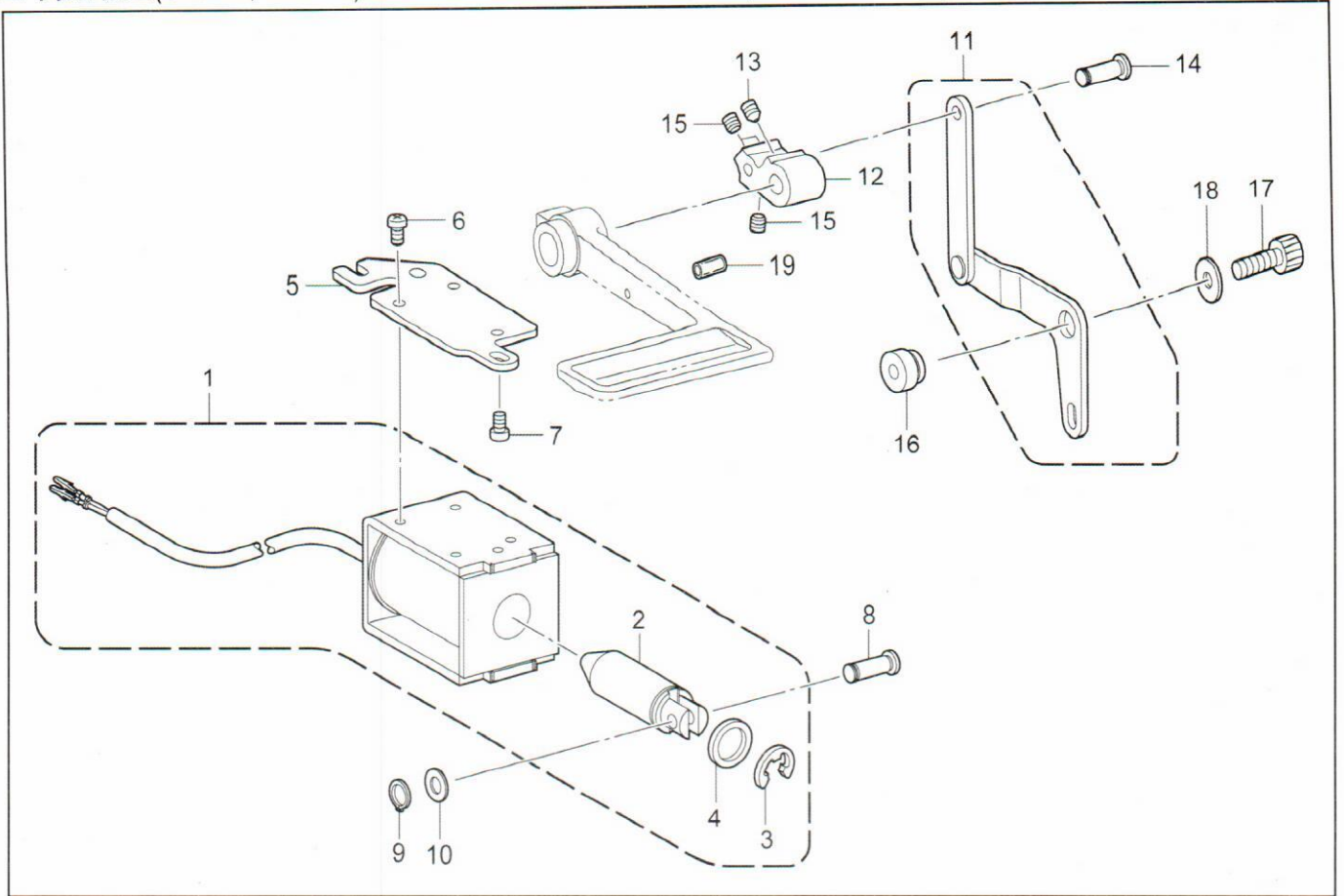




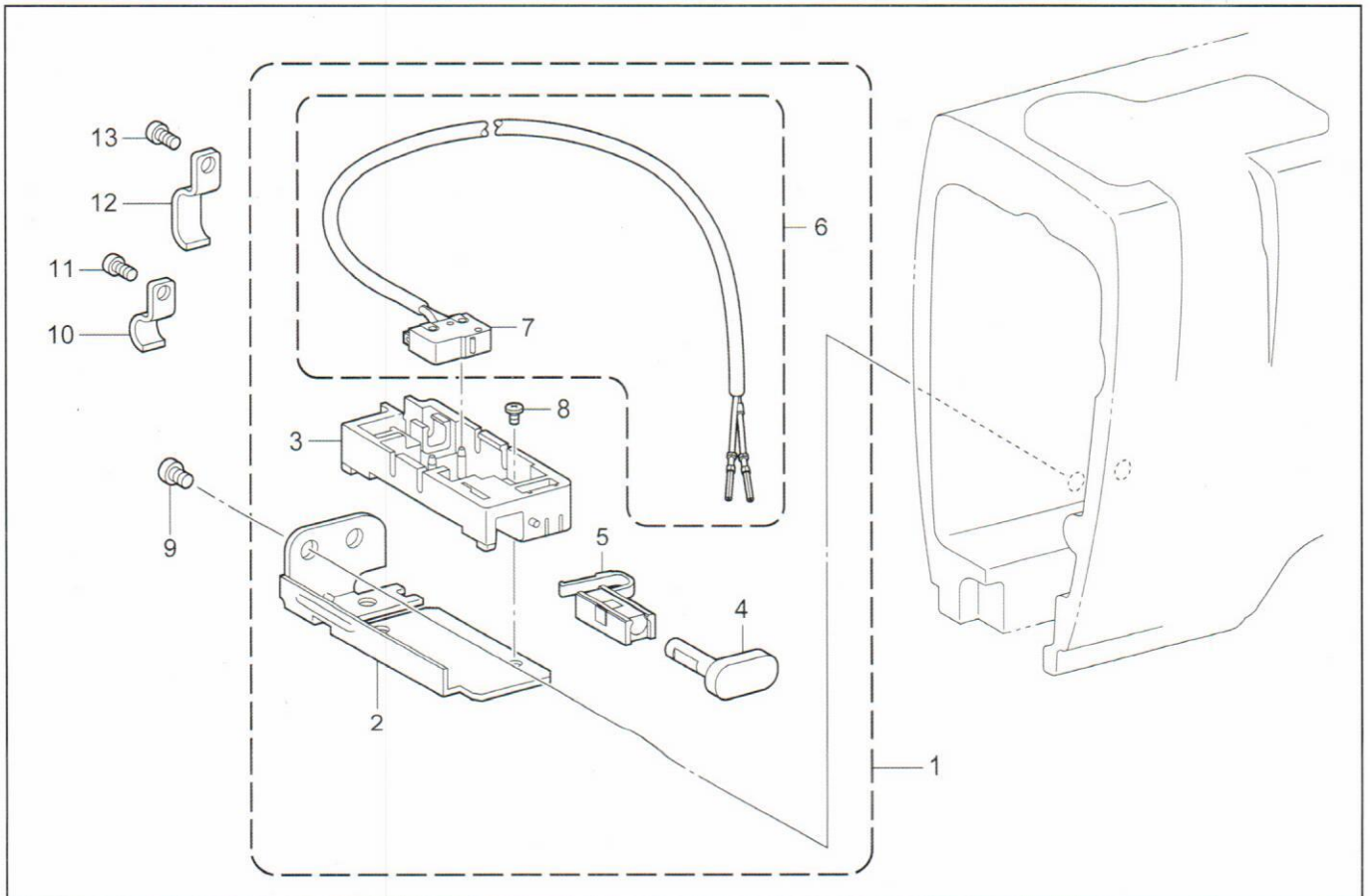
1. 机头部件 / Machine head mechanism

序号	图号	件号	零部件名称	NAME OF PARTS	数量
1	31-2A-8	SA2442101	<用于8452B, 8752B> 马达盖	<For 8452B, 8752B> MOTOR COVER	1
2	31D-24	062501416	螺钉 M5×14	SCREW, PAN M5×14	3
3	31E-3	062501016	螺钉 M5×10	SCREW, PAN M5×10	1
4	32-2A-26		底板	BED	1
5	32-2A-27		机壳	ARM	1
6	32-2B-1	SA2452101	上轴 DD	UPPER SHAFT, DD	1
7	32-2B-16	SA2460001	接头复合件	PRESSER ADJUSTING UJINT	1
8	31B-27	S38710001	球轴承 6204ZZNR	BALL BEARING, 6204ZZNR	1
9	31B-10	S23651001	螺钉 M6-0.75×6	SET SCREW, SOCKET (FT) M6-0.75×6	4
10	31-2B-26	SA2461001	同步轮U DD	TIMING PULLEY, U DD	1
11	31-2B-27	S38713100	叶轮	FAN	1
12	31-2B-28	062403512	螺钉 M4×35	SCREW, PAN M4×35	3
13	7C-40	028040242	弹簧垫圈	WASHER, SPRING	3
14	10D-49	025040232	垫圈 4	WASHER, PLAIN 4	3
15	31-2B-23-2	SA2462001	同步轮U法兰	PULLEY U FLANGE	1
16	31-2D-14	S07351001	松线板组件	TENSION RELEASE PLATE ASSY	1
17	31-2D-15	S07529001	松线连杆组件	T-RELEASE CONNECTING ROD ASSY	1
18	12B-39-4	048030342	挡圈 3	RETAINING RING 3	2
19	31-2D-17	SA2677001	松线电线	TENSION RELEASE WIRE	1
25	31-2E-44	SA2541001	倒缝扳手板	REVERSE STITCHING LEVER PLATE	1
26	31M-46	SA2638001	线导向 M	THREAD GUIDE, M: ARM	1
27	31M-47	SA2640001	螺钉 M5×8	SCREW, FLAT M5×8	1
			<选购件>	<OPTION PARTS>	
20	31-2D-38	S10780001	松线板组件	TENSION RELEASE PLATE ASSY	1
21	31-2D-39	S07529001	松线连杆组件	T-RELEASE CONNECTING ROD ASSY	1
22	31-2D-40	048030342	挡圈 3	RETAINING RING 3	2
23	31-2D-41	SA2677001	松线电线	TENSION RELEASE WIRE	1
24	31-2D-42	SA2578001	抬压脚连杆	PRESSER BAR LIFTING LEVER	1
			<用于8750B, 8752B>	<For 8750B, 8752B>	
28	31-4B-22	SA2937101	挑线杆组件 L2-L	THREAD TAKE-UP LEVER ASSY, L2-L	1
29	31-4E-11	SA2791001	水平偏心轮 7	LEVEL FEED ECCENTRIC WHEEL 7	1
30	31-4E-14	SA2793001	水平送料臂 7	FEED ROCKER ARM 7	1
31	31-4E-19	S38428001	针距标盘 7	STITCH LENGTH DIAL, 7	1
32	31-4E-28	SA2796001	送料调节器 7	FEED REGULATOR 7	1

2. 倒缝装置(8452B, 8752B) / Quick reverse mechanism (8452B, 8752B)



3. 倒缝开关装置(8452B, 8752B) / Quick reverse switch mechanism (8452B, 8752B)





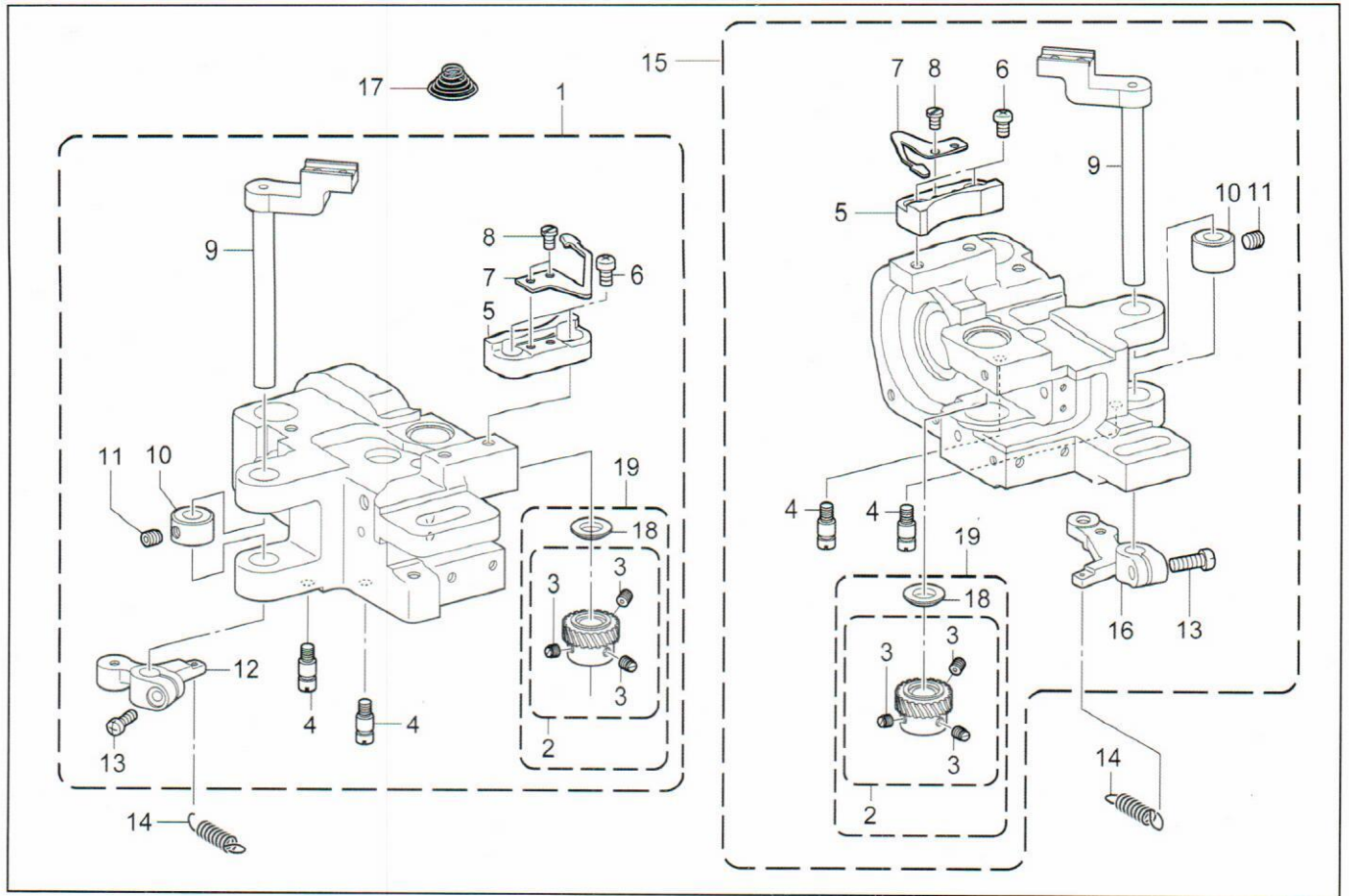
2. 倒缝装置(8452B, 8752B) / Quick reverse mechanism (8452B, 8752B)

序号	图号	件号	零部件名称	NAME OF PARTS	数量
1	31-2F-1	SA3072001	反转电磁铁组件	QUICK REVERSE SOLENOID ASSY	1
2	31-2F-2	154729001	柱塞	PLUNGER	1
3	31-2F-3	154730001	挡圈 15	RETAINING RING 15	1
4	31-2F-4	154731000	橡胶垫	RUBBER STOPPER	1
5	31-2F-5	SA2535101	电磁铁底座	SOLENOID BRACKET	1
6	31A-5	062500812	螺钉 M5×8	SCREW, PAN M5×8	3
7	31G1-48	062061016	螺钉 M6×10	SCREW, PAN M6×10	2
8	31-2F-8	SA2992001	连接销	PIN	1
9	31-2F-9	048060142	轴用挡圈 6	RETAINING RING, EXTERNAL 6	1
10	31G1-49	153138001	垫圈 6.5	WASHER, PLAIN 6.5	1
11	31-2F-11	SA2536001	电磁铁曲杆组件	SOLENOID LEVER ASSY	1
12	31-2F-12	SA2540001	反转曲柄	QUICK REVERSE LEVER	1
13	B-17	016061031	螺钉 M6×10	SET SCREW, SOCKET (CN) M6×10	2
14	31-2F-8	SA2992001	连接销	PIN	1
15	A-58	012060636	螺钉 M6×6	SET SCREW, SOCKET (FT) M6×6	2
16	31-2F-16	SA2539001	电磁铁曲柄轴	SOLENOID LEVER SHAFT	1
17	2A-14-13	018062032	螺栓 M6×20	BOLT, SOCKET M6×20	1
18	33S-26	149095001	垫圈 6	WASHER, PLAIN 6	1
19	31-2F-19	153132000	尼龙管 L=13.5	NYLON TUBE, L=13.5	1

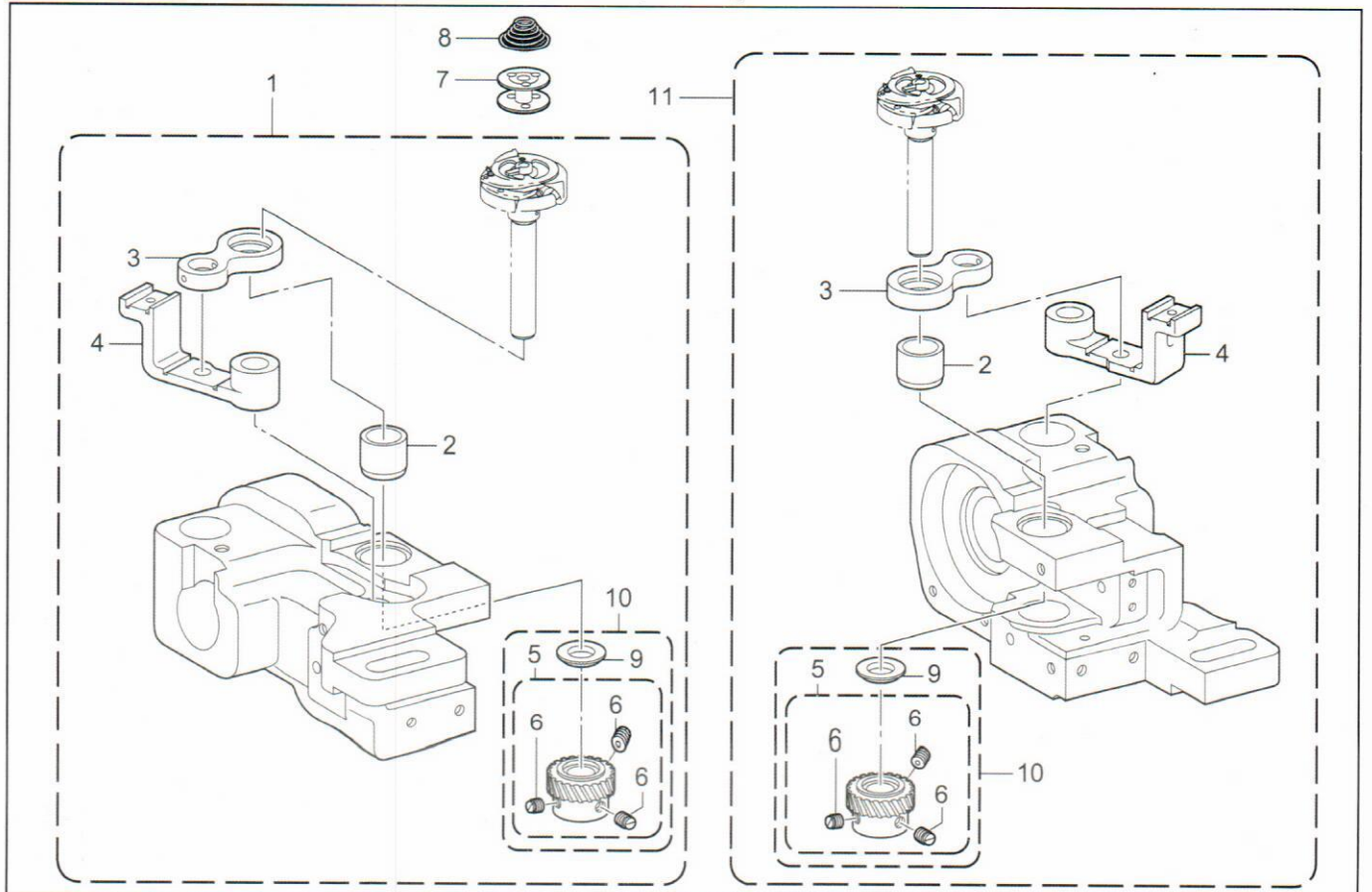
3. 倒缝开关装置(8452B, 8752B) / Quick reverse switch mechanism (8452B, 8752B)

序号	图号	件号	零部件名称	NAME OF PARTS	数量
1	31-2T-1	SA2688001	调节器按钮组件	REVERSE ACTUATOR ASSY	1
2	31-2T-2	SA2270001	倒缝开关安装架	REVERSE SWITCH BRACKET	1
3	31-2T-3	S34281000	倒缝开关基体	REVERSE SWITCH BRACKET	1
4	31-2T-4	S32904000	按钮	ACTUATOR	1
5	31-2T-5	S32905000	R-开关弹簧	REVERSE SWITCH SPRING	1
6	31-2T-6	SA1390001	R开关组件	R-SWITCH ASSY	1
7	31-2T-7	S32907000	微动开关	MICRO SWITCH	1
8	31-2T-8	060300606	螺钉 M3×6	SCREW, BIND M3×6	1
9	31A-9	062500616	螺钉 M5×6	SCREW, PAN M5×6	2
10	31-2R-9	SA2689001	电线固定夹	CORD HOLDER	1
11	31A-9	062500616	螺钉 M5×6	SCREW, PAN M5×6	1
12	31-2T-12	SA1388001	线夹	CORD HOLDER	3
13	31A-9	062500616	螺钉 M5×6	SCREW, PAN M5×6	1

4. 旋梭装置(8452B) / Rotary hook mechanism (8452B)



5. 旋梭装置(8750B) / Rotary hook mechanism (8750B)





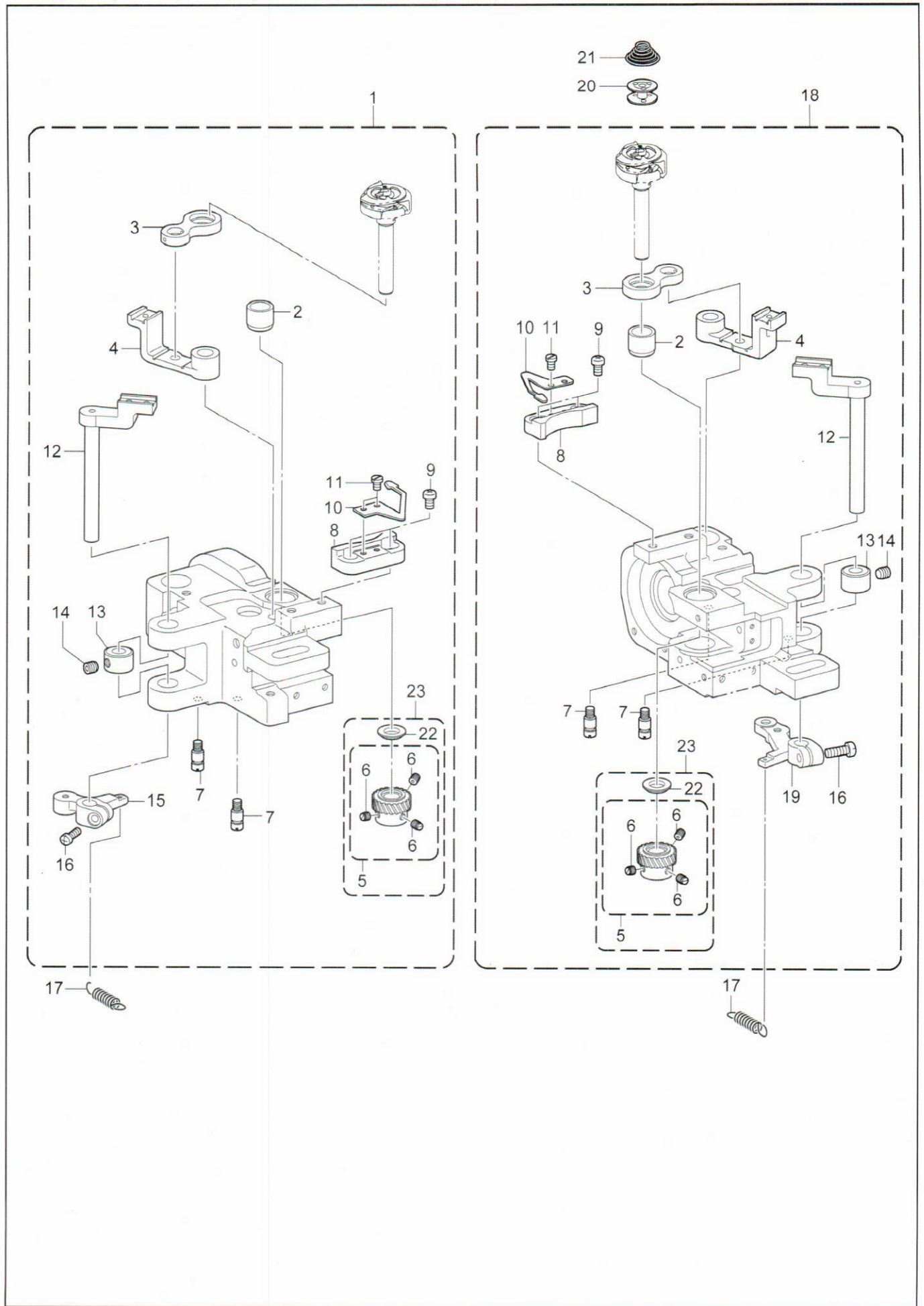
4. 旋梭装置(8452B) / Rotary hook mechanism (8452B)

序号	图号	件号	零部件名称	NAME OF PARTS	数量
1	32-2K1-1	SA4435101	旋梭基座带切线组件845TR(L)	ROTARY HOOK BASE ASSY, 845TR (L)	1
2	31-2J2-22	SA6301001	齿轮带螺钉	PINION GEAR SCREW ASSY	1
3	31G1-21	SA2574001	螺钉 M6-0.75×5	SET SCREW, (FT) M6-0.75×5	3
4	31-2J2-32	SA2717001	定位螺钉	STOPPER SCREW	2
5	31-2J2-33	SA2676001	动刀座	MOVABLE KNIFE BRACKET	1
6	A-30	062400812	螺钉 M4×8	SCREW, PAN M4×8	2
7	31-2J2-34	S07525000	板弹簧	SPRING, PLATE	1
8	32H-5	141544001	螺钉 1/8-40×5.8	SCREW, 1/8-40×5.8	2
9	31-2J2-36	SA3912001	动刀杆	MOVABLE KNIFE LEVER	1
10	33P-16-1	SA2675001	止推挡圈	SET SCREW COLLAR	1
11	3C-14	S23651001	螺钉 11/64-40×4.5	SET SCREW, SOCKE (FT) 11/64-40×4.5	1
12	31-2J2-39	SA2671001	切线杠杆 L	THREAD TRIMMER LEVER, L	1
13	31F-29	062501212	螺钉 M5×12	SCREW, PAN M5×12	1
18	31-2J2-62	SA6294001	轴向轮	THRUST RING	1
19	31-2J2-63	SA6307001	人字齿轮复合件	PINION GEAR SET	1
15	32-2K1-44	SA4436101	旋梭基座带切线组件845TR(R)	ROTARY HOOK BASE ASSY, 845TR (R)	1
2	31-2J2-22	SA6301001	齿轮带螺钉	PINION GEAR SCREW ASSY	1
3	31G1-21	SA2574001	螺钉 M6-0.75×5	SET SCREW, (FT) M6-0.75×5	3
4	31-2J2-32	SA2717001	定位螺钉	STOPPER SCREW	2
5	31-2J2-33	SA2676001	动刀座	MOVABLE KNIFE BRACKET	1
6	A-30	062400812	螺钉 M4×8	SCREW, PAN M4×8	2
7	31-2J2-34	S07525000	板弹簧	SPRING PLATE	1
8	32H-5	141544001	螺钉 1/8-40×5.8	SCREW, 1/8-40×5.8	2
9	31-2J2-36	SA3912001	动刀杆	MOVABLE KNIFE LEVER	1
10	33P-16-1	SA2675001	止推挡圈	SET SCREW COLLAR	1
11	3C-14	S23651001	螺钉 11/64-40×4.5	SET SCREW, SOCKE (FT) 11/64-40×4.5	1
13	31F-29	062501212	螺钉 M5×12	SCREW, PAN M5×12	1
16	31-2J2-47	SA2670001	切线杠杆 R	THREAD TRIMMER LEVER R	1
18	31-2J2-62	SA6294001	轴向轮	THRUST RING	1
19	31-2J2-63	SA6307001	人字齿轮复合件	PINION GEAR SET	1
14	31-2J2-41	SA2826001	弹簧 <用于-□□5>	SPRING, EXTENSION <For -□□5>	2
14	31C-7	SA4458001	弹簧 B <用于-□□3>	SPRING, EXTENSION, B <For -□□3>	2
17	31-2J2-61	148602001	防空转弹簧	ANTI-SPIN SPRING	2

5. 旋梭装置(8750B) / Rotary hook mechanism (8750B)

序号	图号	件号	零部件名称	NAME OF PARTS	数量
1	31-4G1-1	SA4437101	旋梭基座组件 875ST (L)	ROTARY HOOK BASE ASSY, 875ST (L)	1
2	31-4G1-3	S09259001	滚针轴承套	ROTARY HOOK SHAFT BUSH, U	1
3	31-4G1-8	SA3857001	分线钩连杆	OPENER LINK	1
4	31-4G1-9	SA3861001	分线钩杆	OPENER LEVER	1
5	31-2J2-22	SA6301001	齿轮带螺钉	PINION GEAR SCREW ASSY	1
6	31G1-21	SA2574001	螺钉 M6-0.75×5	SET SCREW, (FT) M6-0.75×5	3
9	31-2J2-62	SA6294001	轴向轮	THRUST RING	1
10	31-2J2-63	SA6307001	人字齿轮复合件	PINION GEAR SET	1
11	31-4G1-33	SA4438101	旋梭基座组件 875ST (R)	ROTARY HOOK BASE ASSY, 875ST (R)	1
2	31-4G1-3	S09259001	滚针轴承套	ROTARY HOOK SHAFT BUSH, U	1
3	31-4G1-8	SA3857001	分线钩连杆	OPENER LINK	1
4	31-4G1-9	SA3861001	分线钩杆	OPENER LEVER	1
5	31-2J2-22	SA6301001	齿轮带螺钉	PINION GEAR SCREW ASSY	1
6	31G1-21	SA2574001	螺钉 M6-0.75×5	SET SCREW, (FT) M6-0.75×5	3
9	31-2J2-62	SA6294001	轴向轮	THRUST RING	1
10	31-2J2-63	SA6307001	人字齿轮复合件	PINION GEAR SET	1
7	31-4G1-50	S09285051	梭芯	BOBBIN	2
8	31-2J2-6	S09286000	防空转弹簧	ANTI-SPIN SPRING	2

6. 旋梭装置(8752B) / Rotary hook mechanism (8752B)

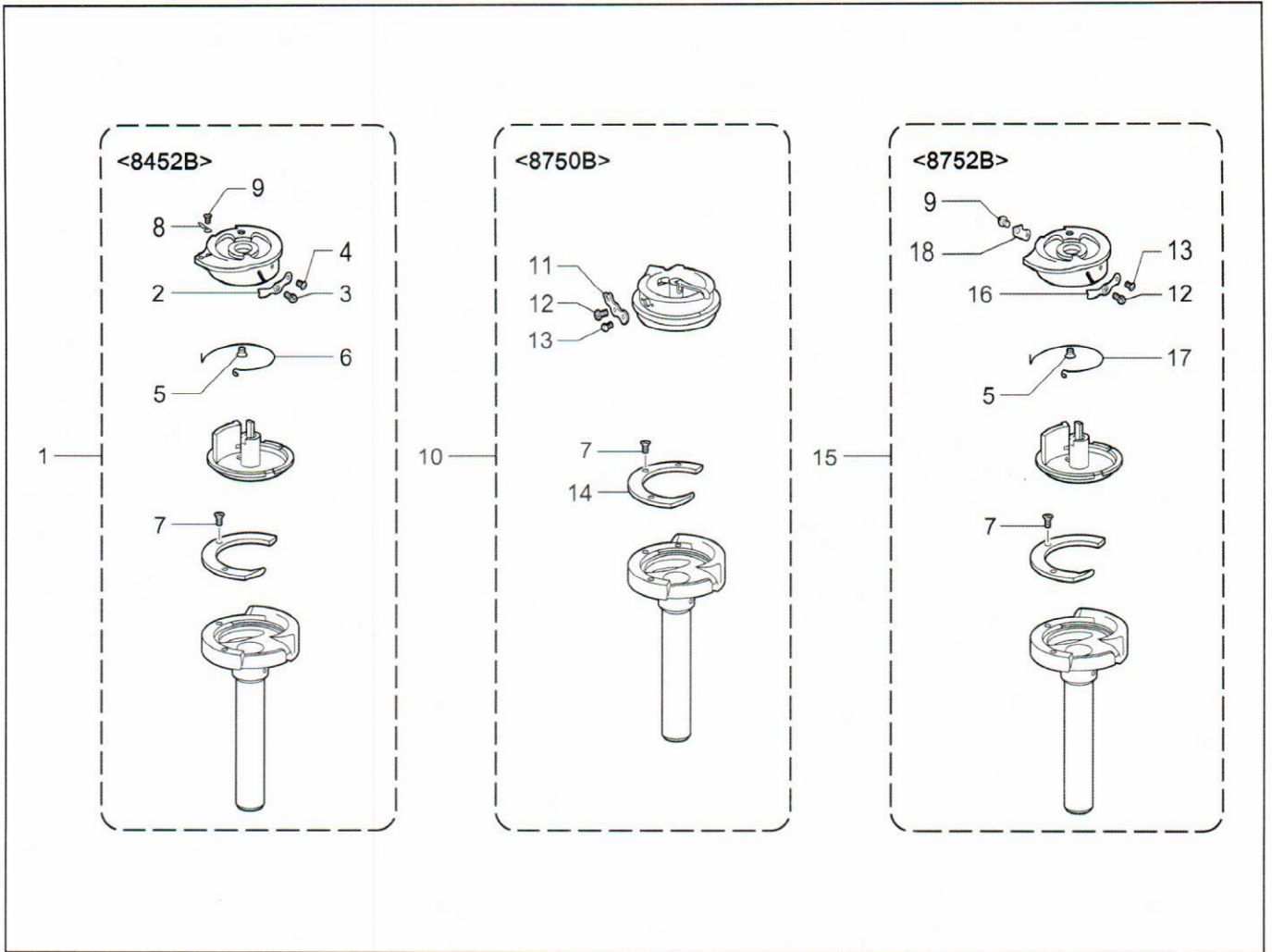




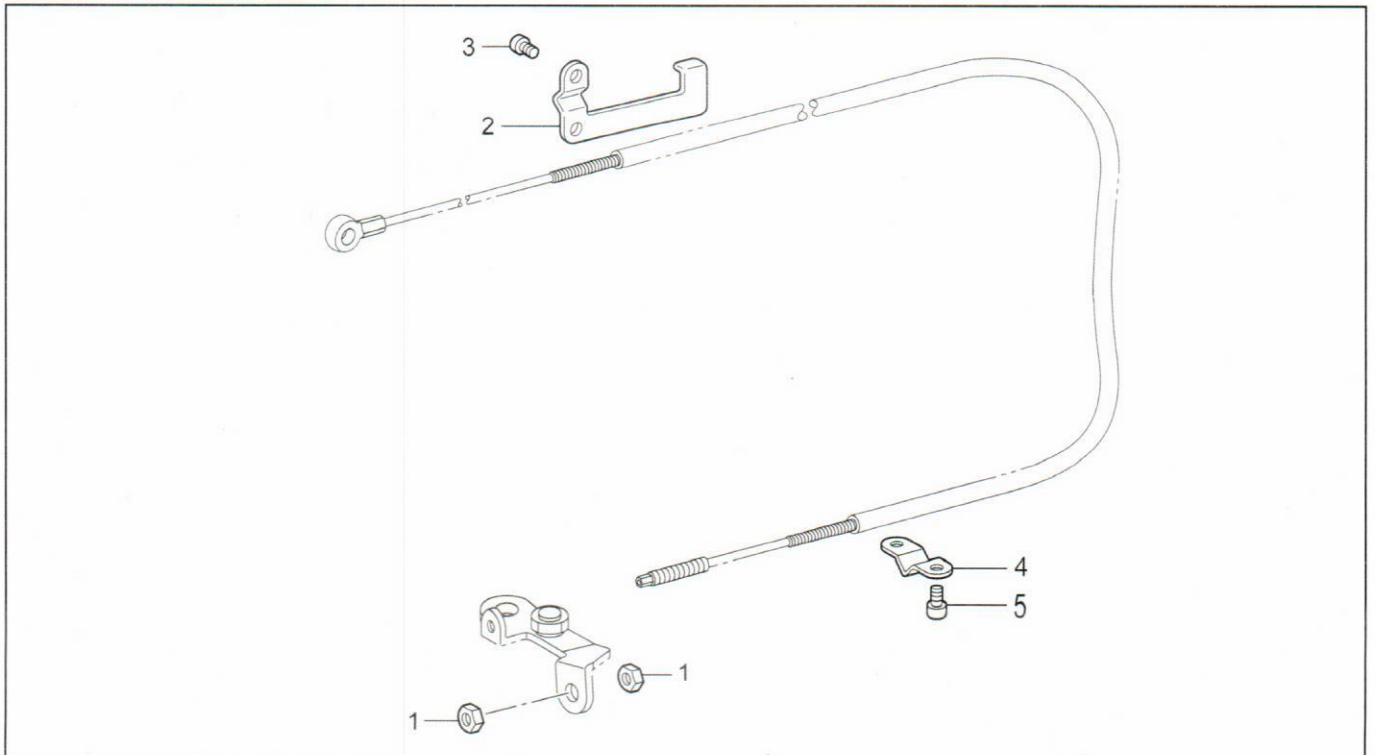
## 6. 旋梭装置(8752B) / Rotary hook mechanism (8752B)

序号	图号	件号	零部件名称	NAME OF PARTS	数量
1	32-42K1-1	SA4439101	旋梭基座带切线组件875TR(L)	ROTARY HOOK BASE ASSY, 875TR (L)	1
2	31-4G1-3	S09259001	旋梭轴套 U	ROTARY HOOK SHAFT BUSH, U	1
3	31-4G1-8	SA3857001	分线钩连杆	OPENER LINK	1
4	31-4G1-9	SA3861001	分线钩杆	OPENER LEVER	1
5	31-2J2-22	SA6301001	齿轮带螺钉	PINION GEAR SCREW ASSY	1
6	31G1-21	SA2574001	螺钉 M6-0.75×5	SET SCREW, (FT) M6-0.75×5	3
7	31-2J2-32	SA2717001	定位螺钉	STOPPER SCREW	2
8	31-2J2-33	SA2676001	动刀座	MOVABLE KNIFE BRACKET	1
9	A-30	062400812	螺钉 M4×8	SCREW, PAN M4×8	2
10	31-2J2-34	S07525000	板弹簧	SPRING, PLATE	1
11	32H-5	141544001	螺钉 1/8-40×5.8	SCREW, 1/8-40×5.8	2
12	31-2J2-36	SA3912001	动刀杆	MOVABLE KNIFE LEVER	1
13	33P-16-1	SA2675001	止推挡圈	SET SCREW COLLAR	1
14	3C-14	S23651001	螺钉 11/64-40×4.5	SET SCREW, SOCKE (FT) 11/64-40×4.5	1
15	31-2J2-39	SA2671001	切线杠杆 L	THREAD TRIMMER LEVER, L	1
16	31F-29	062501212	螺钉 M5×12	SCREW, PAN M5×12	1
22	31-2J2-62	SA6294001	轴向轮	THRUST RING	1
23	31-2J2-63	SA6307001	人字齿轮复合件	PINION GEAR SET	1
18	32-42K1-44	SA4440101	旋梭基座带切线组件875TR(R)	ROTARY HOOK BASE ASSY, 875TR (R)	1
2	31-4G1-3	S09259001	旋梭轴套 U	ROTARY HOOK SHAFT BUSH, U	1
3	31-4G1-8	SA3857001	分线钩连杆	OPENER LINK	1
4	31-4G1-9	SA3861001	分线钩杆	OPENER LEVER	1
5	31-2J2-22	SA6301001	齿轮带螺钉	PINION GEAR SCREW ASSY	1
6	31G1-21	SA2574001	螺钉 M6-0.75×5	SET SCREW, (FT) M6-0.75×5	3
7	31-2J2-32	SA2717001	定位螺钉	STOPPER SCREW	2
8	31-2J2-33	SA2676001	动刀座	MOVABLE KNIFE BRACKET	1
9	A-30	062400812	螺钉 M4×8	SCREW, PAN M4×8	2
10	31-2J2-34	S07525000	板弹簧	SPRING, PLATE	1
11	32H-5	141544001	螺钉 1/8-40×5.8	SCREW, 1/8-40×5.8	2
12	31-2J2-36	SA3912001	动刀杆	MOVABLE KNIFE LEVER	1
13	33P-16-1	SA2675001	止推挡圈	SET SCREW COLLAR	1
14	3C-14	S23651001	螺钉 11/64-40×4.5	SET SCREW, SOCKE (FT) 11/64-40×4.5	1
19	31-2J2-47	SA2670001	切线杠杆 R	THREAD TRIMMER LEVER, R	1
16	31F-29	062501212	螺钉 M5×12	SCREW, PAN M5×12	1
22	31-2J2-62	SA6294001	轴向轮	THRUST RING	1
23	31-2J2-63	SA6307001	人字齿轮复合件	PINION GEAR SET	1
17	31-2J2-41	SA2826001	弹簧	SPRING, EXTENSION	2
20	31-4G1-50	S09285051	梭芯	BOBBIN	2
21	31-2J2-61	S09286000	防空转弹簧	ANTI-SPIN SPRING	2

7. 旋梭装置 / Rotary hook mechanism



8. 松线装置(8452B, 8752B) / Tension release mechanism (8452B, 8752B)





7. 旋梭装置 / Rotary hook mechanism

序号	图号	件号	零部件名称	NAME OF PARTS	数量
1	32J2-1	*	<用于8452B> 旋梭盒组件	<For 8452B> ROTARY HOOK BOX ASSY	1
2	32J2-2	151025001	调整弹簧	TENSION SPRING	1
3	32J2-3	S01567001	调节螺钉	TENSION ADJUSTING SCREW	1
4	32J2-4	S01568001	螺钉	SET SCREW	1
5	32J2-5	151035001	螺钉	SET SCREW	1
6	32J2-6	151034001	弹簧	TENSION SPRING	1
7	31G2-5	151027001	螺钉	SET SCREW	2
8	32-2K2-8	159801001	压线钢丝	THREAD PRESSER WIRE	1
9	32-2K2-9	159802001	螺钉 1/16×2	SCREW, 1/16×2	1
10	31-4G2-1	*	<用于8750B> 旋梭盒组件	<For 8750B> ROTARY HOOK BOX ASSY	1
7	31G2-5	151027001	螺钉	SET SCREW	3
11	31-4G2-2	156521002	调整弹簧	TENSION SPRING	1
12	31-4G2-3	151029001	调节螺钉	TENSION ADJUSTING SCREW	1
13	31G2-4	151030001	螺钉	SET SCREW	1
14	31-4G2-6	S09271002	内梭夹	INNER ROTARY HOOK HOLDER	1
15	31-42J2-1	*	<用于8752B> 旋梭盒组件	<For 8752B> ROTARY HOOK BOX ASSY	1
5	32J2-5	151035001	螺钉	SET SCREW	1
7	31G2-5	151027001	螺钉	SET SCREW	2
9	32-2K2-9	159802001	螺钉 1/16×2	SCREW, 1/16×2	1
12	31-4G2-3	151029001	调节螺钉	TENSION ADJUSTING SCREW	1
13	31G2-4	151030001	螺钉	SET SCREW	1
16	31-42J2-2	155479001	调整弹簧	TENSION SPRING	1
17	32-42J3-6	155478001	弹簧	TENSION SPRING	1
18	32-42K2-8	S09284001	底线夹板	LOW THREAD HOLDING PLATE	1

8. 松线装置(8452B, 8752B) / Tension release mechanism (8452B, 8752B)

序号	图号	件号	零部件名称	NAME OF PARTS	数量
1	8A-16	110161004	螺母 3/16-32	NUT, 3/16-32	2
2	31-2Q-2	SA2678001	松线电线夹	TENSION RELEASE WIRE HOLDER	1
3	31A-5	062500816	螺钉 M5×8	SCREW, PAN M5×8	2
4	31-2Q-4	SA2679001	松线电线夹	TENSION RELEASE WIRE HOLDER	1
5	31E-7	062060816	螺钉 M6×8	SCREW, PAN M6×8	2

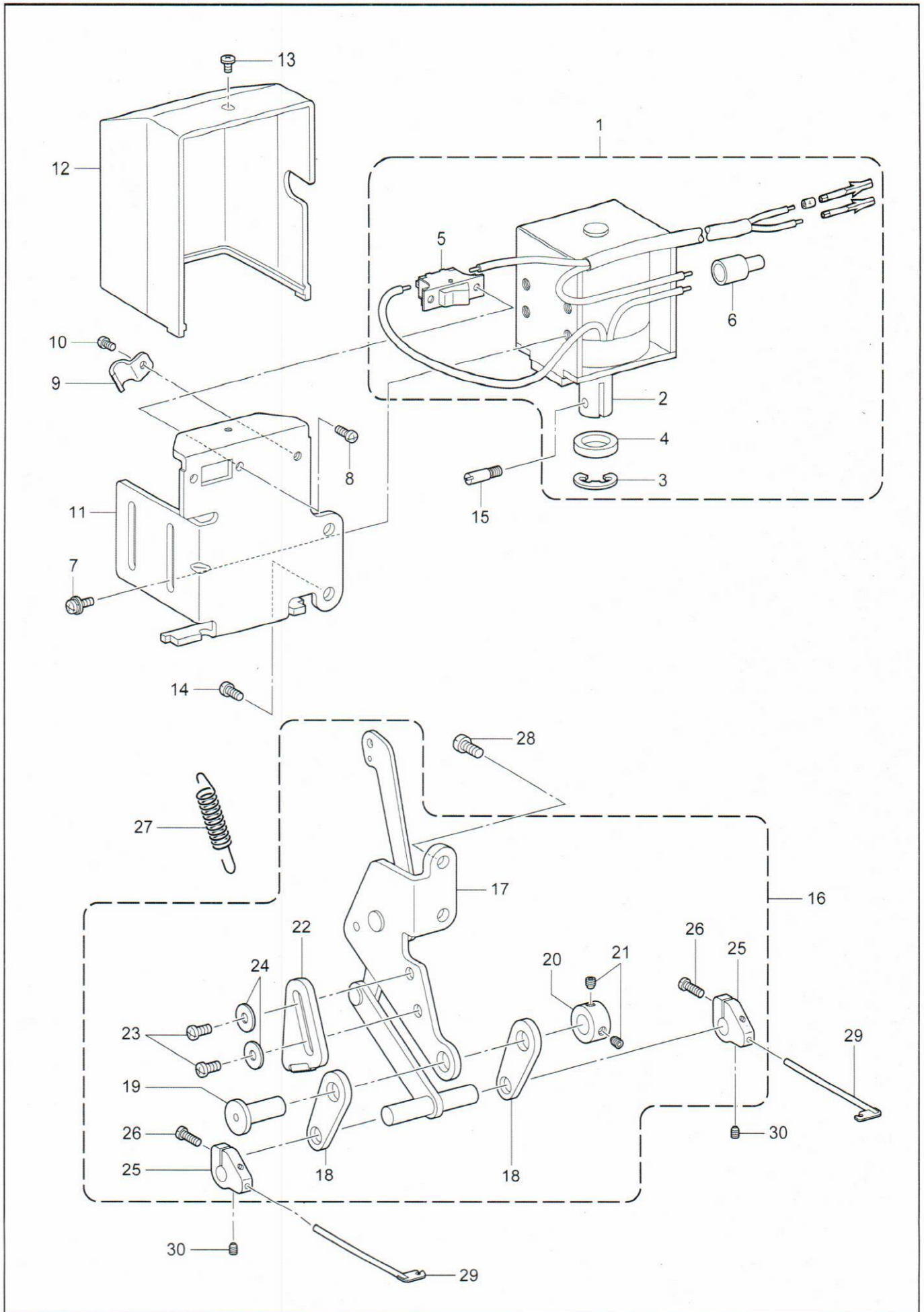




9. 切线装置(8452B, 8752B) / Thread trimmer mechanism (8452B, 8752B)

序号	图号	件号	零部件名称	NAME OF PARTS	数量
1	31-2P-1	SA2642001	切线电磁铁	THREAD TRIMMER SOLENOID	1
2	31-2P-2	SA2643001	电磁铁架	SOLENOID BRACKET	1
3	31-2P-3	SA2644001	电磁铁接头	SOLENOID JOINT	1
4	31-2P-52	SA2645001	螺钉 M5	SHOULDER SCREW, M5	1
5	13D-18	012500536	螺钉 M5×5	SET SCREW, SOCKET (FT) M5×5	1
6	31-2P-6	SA2646001	电磁铁杆	SOLENOID LEVER	1
7	31-2P-7	SA2728001	电磁铁杆支承架	SOLENOID LEVER BRACKET	1
8	31E-3	062501016	螺钉 M5×10	SCREW, PAN M5×10	2
9	31-2P-9	SA2647001	电磁铁杆短轴	SOLENOID LEVER SHAFT	1
10	31G1-48	062061012	螺钉 M6×10	SCREW, PAN M6×10	2
11	31-2P-11	SA2648001	线夹	CORD HOLDER	1
12	31E-7	062060816	螺钉 M6×8	SCREW, PAN M6×8	1
13	31-2P-13	SA2651001	切线轴	DRIVING ROD	1
14	31-2R-15	148546001	销	PLUNGER PIN	1
15	31-2P-15	SA2652101	切线轴板	DRIVING ROD PLATE, TR	1
16	31E-44	SA2860001	垫圈	WASHER	1
17	31-2P-17	SA2859000	弹簧	SPRING, TENSION RELEASE LEVER	1
18	31E-3	062501016	螺钉 M5×10	SCREW, PAN M5×10	1
19	31-2P-61	SA2653001	松线杆组件	TENSION RELEASE LEVER ASSY	1
20	31-2P-20	SA2655001	螺钉 M4	SHOULDER SCREW, M4	1
21	31-2P-21	062351216	螺钉 M3.5×12	SCREW, PAN M3.5×12	1
22	31F-16	021350106	螺母 M3.5	NUT, M3.5	1
23	31-2P-29	SA2657001	主杆轴架	MAIN LEVER SUPPORT SHAFT	1
24	31-2P-30	SA2658001	主杆轴	MAIN LEVER SHAFT	1
25	A-58	012060636	螺钉 M6×6	SET SCREW, SOCKET (FT) M6×6	2
26	31-2P-32	SA2659001	主杆组件	MAIN LEVER ASSY, KNIFE	1
27	31-2P-33	148559100	橡胶	RUBBER	1
28	31-2P-34	S07509001	弹簧	MAIN LEVER SPRING	1
29	31-2P-35	048070342	挡圈 7	RETAINING RING 7	1
30	31C-32	062061616	螺钉 M6×16	SCREW, PAN M6×16	2
31	31-2P-37	SA2661001	切线凸轮	THREAD TRIMMER CAM	1
32	31-2P-38	SA2378001	垫片 4.8	SPACER, 4.8	4
33	31B-12	S25236001	螺钉 M6-0.75×10	SET SCREW, SOCKET (FT) M6-0.75×10	4
34	31-2P-40	SA2663001	接头组件 R	ROUND JOINT ASSY, R	1
35	31-2P-41	141331002	管套	BUSH	1
36	31-2P-42	SA2665001	接头组件 L	ROUND JOINT ASSY, L	1
37	31-2P-41	141331002	管套	BUSH	1
38	31-2P-44	SA2667001	长度调节连杆	L-ADJUSTING CONNECTING ROD	1
39	A-35	021060306	六角螺母 M6	NUT, M6	1
40	31-2P-46	SA2668001	螺母 M6 (L)	NUT, M6 LEFT	1
41	31-2P-47	SA2669001	螺钉 15/64-28	SHOULDER SCREW, 15/64-28	2
42	31-2P-48	SA2672001	切线连杆 R	T-TRIMMER CONNECTING ROD, R	1
43	31-2P-49	SA2673001	切线连杆 L	T-TRIMMER CONNECTING ROD, L	1
44	7A-57	017500812	六角螺栓 M5×10	BOLT, M5×10	2
45	31E-49	025050236	平垫圈 5	WASHER, PLAIN 5	2
46	31-2P-52	SA2645001	螺钉 M5	SHOULDER SCREW, M5	2
47	31-2P-53	S07526201	动刀	MOVABLE KNIFE	2
48	31-2P-54	148536001	螺钉 11/64-40×4.2	SCREW, W/SOCKET 11/64-40×4.2	4
49	31-2P-55	S07527001	定刀	FIXED KNIFE	2
50	31-2P-56	148539101	螺钉 3/32-56	SHOULDER SCREW, 3/32-56	2
51	31-2P-57	S38687000	插头 5557-14R	CONNECTOR, 5557-14R	1
52	31-2P-58	SA1998001	接地线组件	GROUND WIRE ASSY	1
53	31A-5	062500816	螺钉 M5×8	SCREW, PAN M5×8	1
54	31-2P-60	340400001	线夹	BEAD BAND	2

10. 扫线装置(8452B, 8752B) / Thread wiper mechanism (8452B, 8752B)

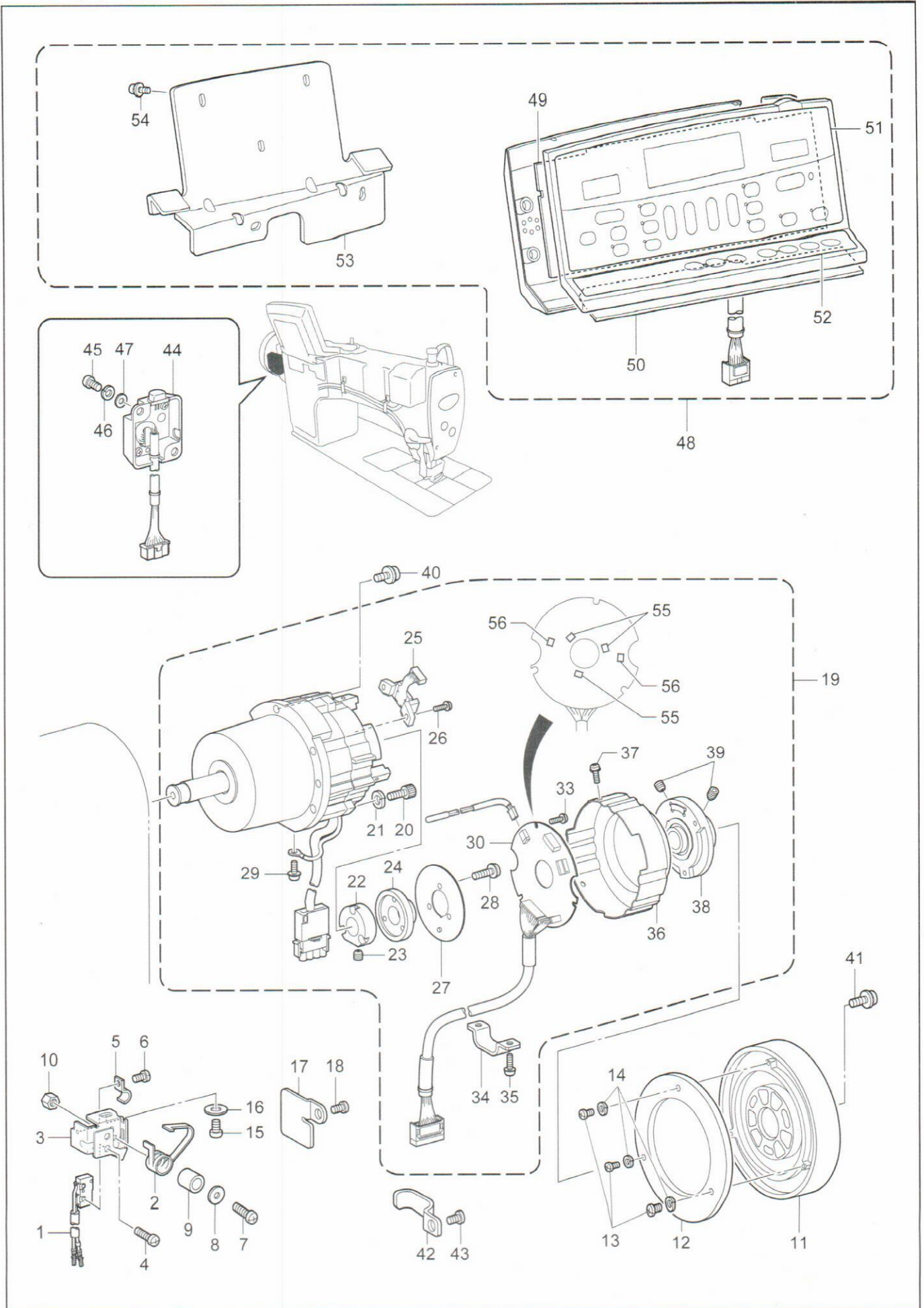




10. 扫线装置(8452B, 8752B) / Thread wiper mechanism (8452B, 8752B)

序号	图号	件号	零部件名称	NAME OF PARTS	数量
1	31-2R-1	SA2680001	扫线电磁铁组件	THREAD WIPER SOLENOID ASSY	1
2	31-2R-2	148511001	插棒式铁芯	PLUNGER	1
3	31Z1-26	048090342	挡圈 10	RETAINING RING, 10	1
4	31-2R-4	S38426000	橡皮垫	PLUNGER RUBBER	1
5	31-2R-5	S02664001	扫线开关	THREAD WIPER SWITCH	1
6	31-2R-6	S02665000	电线接头	TERMINAL CONNECTOR	1
7	31-2R-7	S39048001	螺钉(带垫片) M4×10	SCREW, PAN (S/P W) M4×10	4
8	31M-39	062300616	螺钉 M3×6	SCREW, PAN M3×6	2
9	31-2R-9	140647101	电线固定夹	CORD HOLDER	1
10	31F-19	062400616	螺钉 M4×6	SCREW, PAN M4×6	1
11	31-2R-11	SA2732001	电磁铁安装板	SOLENOID HOLDING PLATE	1
12	31-2R-12	SA2696001	电磁铁盖	SOLENOID COVER	1
13	31F-19	060400516	螺钉 M4×6	SCREW, BIND M4×6	1
14	31E-3	062501016	螺钉 M5×10	SCREW, PAN M5×10	2
15	31-2R-15	148546001	销	PLUNGER PIN	1
16	31-2R-16	SA2682001	电磁铁连杆组件	THREAD WIPER SOLENOID ASSY	1
17	31-2R-17	SA2683001	电磁铁连杆	SOLENOID LINK	1
18	31-2R-18	S07549101	连接板 C	THREAD WIPER LINK, C	2
19	31-2R-19	S07550001	连接板轴	LINK STUD	1
20	31D-21	SA2504001	紧圈	SET SCREW COLLAR	1
21	13D-18	012500536	螺钉 M5×5	SET SCREW, SOCKET (FT) M5×5	2
22	31-2R-22	S38421001	定位板	STOPPER	1
23	31A-5	062500816	螺钉 M5×8	SCREW, PAN M5×8	2
24	31E-49	025050236	平垫圈 5	WASHER, PLAIN 5	2
25	31-2R-25	S07552101	扫线器架	THREAD WIPER SUPPORT	2
26	31-2R-26	062661212	螺钉 1/8-40×12	SCREW, PAN 1/8-40×12	2
27	31-2R-27	SA2684001	弹簧	THREAD WIPER SPRING	1
28	31E-3	062501016	螺钉 M5×10	SCREW, PAN M5×10	2
29	31-2R-29	S07553001	扫线器	THREAD WIPER	2
30	12K-16-4	S07424001	螺钉 1/8-40×4	SET SCREW, W/SOCKET 1/8-40×4	2

11. 控制箱和马达装置 (选购件) / Control box and motor mechanism (Option parts)





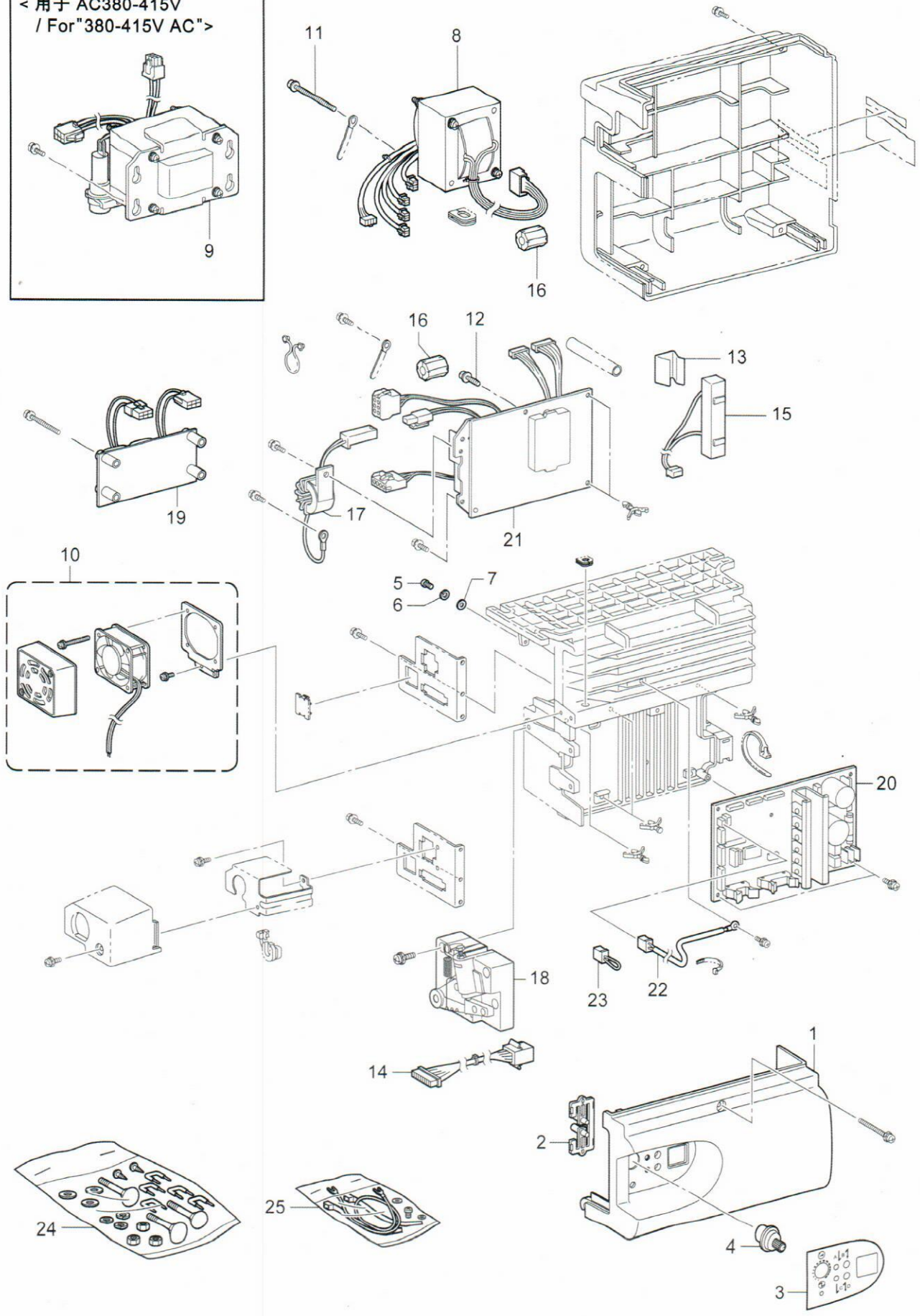
## 11. 控制箱和马达装置(选购件)/ Control box and motor mechanism (Option parts)

序号	图 号	件 号	零 部 件 名 称	NAME OF PARTS	数量
1	31-2S1-1	SA1385001	微处理开关组件	MICRO SWITCH ASSY	1
2	31-2S1-2	S38744101	板弹簧	SWITCH PLATE SPRING	1
3	31-2S1-3	SA2686001	开关基座	SWITCH BASE	1
4	31-2S1-4	062020806	螺钉 M2×8	SCREW, PAN M2×8	2
5	31-2R-9	140647101	电线固定夹	CORD HOLDER	1
6	31F-19	062400616	螺钉 M4×6	SCREW, PAN M4×6	1
7	31N-17	062401216	螺钉 M4×12	SCREW, PAN M4×12	1
8	31-2S1-8	026040236	平垫圈 4	WASHER, PLAIN 4	1
9	31-2S1-9	154514001	衬垫	SPACER	1
10	31-2S1-10	021400106	六角螺母 M4	NUT, M4	1
11	31-2S1-11	SA4040001	手轮 CDD	PULLEY, CDD	1
12	31-2S1-12	SA3175001	导向板	GUARD PLATE	1
13	31M-39	062300616	螺钉 M3×6	SCREW, PAN M3×6	3
14	31-2S1-14	028030246	弹簧垫圈	WASHER, SPRING	3
15	31E-7	062060812	螺钉 M6×8	SCREW, PAN M6×8	1
16	31G1-49	025060136	平垫圈 6	WASHER, PLAIN 6	1
17	31-2S1-17	SA2712001	电线固定夹	CORD HOLDER	1
18	31A-5	062500816	螺钉 M5×8	SCREW, PAN M5×8	1
19	31-2S1-19	J80990001	马达组件 CDD-HT	MOTOR ASSY, CDD-HT	1
20	31-2S1-20	018501632	螺栓 M5×16	BOLT, SOCKET M5×16	3
21	31-2S1-21	028050242	弹簧垫圈	WASHER, SPRING	3
22	31-2S1-22	J03955001	磁鼓 CDD	DRUM CDD	1
23	31-2S1-23	014400632	螺钉 M4×6	SET SCREW, SOCKET (CP) M4×6	2
24	31-2S1-24	J03956001	磁铁 180P36	MAGNET 180P36	1
25	31-2S1-25	J03957001	MR感应器组件 180P	MR SENSOR ASSY 180P	1
26	31-2S1-26	0A4300805	螺栓(带垫圈) M3×8DA	SCREW, PAN (S/P WASHER) M3×8	2
27	31-2S1-27	J03958001	屏蔽板 CDD	SHIELD PLATE CDD	1
28	31-2S1-28	0A4261005	螺栓(带垫圈) M2.6×10DA	SCREW, PAN (S/P WASHER) M2.6×10	3
29	31-2S1-29	0A4401005	螺栓(带垫圈) M4×10DA	SCREW, PAN (S/P WASHER) M4×10	1
30	31-2S1-30	J80971001	CDD-ENC基板组件 #2	PCB ASSY, CDD-ENC	1
33	31-2S1-33	0A5300606	螺栓(带垫圈) M3×6DB	SCREW, PAN (S/P WASHER) M3×6	3
34	31-2S1-34	J04230001	电线固定夹 CDD-HT	CORD HOLDER, CDD-HT	1
35	31-2S1-35	0A4401005	螺栓(带垫圈) M4×10DA	SCREW, PAN (S/P WASHER) M4×10	2
36	31-2S1-36	J04296001	编码器盖 CDD#2	ENCODER COVER, CDD #2	1
37	31-2S1-37	0A4300805	螺栓(带垫圈) M3×8DA	SCREW, PAN (S/P WASHER) M3×8	3
38	31-2S1-38	J03964001	马达轮安装基座组件 CDD	PULLEY HOLDER ASSY CDD	1
39	31-2S1-39	014500632	螺钉 M5×6	SET SCREW, SOCKET (CP) M5×6	2
40	31-2S1-40	SA2354001	螺钉 M5×18	SCREW, PAN M5×18	5
41	31-2S1-41	SA3025001	螺栓(带垫圈) M4×10DA	SCREW, PAN (S/P WASHER) M4×10	3
42	31-2S1-42	SA2687001	电线固定夹	CORD HOLDER	1
43	31A-5	062500816	螺钉 M5×8	SCREW, PAN M5×8	1
44	31-2S1-44	SA5200001	头部传感元件	HEAD DETECTOR UNIT	1
45	31A-5	062500816	螺钉 M5×8	SCREW, PAN M5×8	2
46	C-8	028050246	弹簧垫圈	WASHER, SPRING	2
47	8E-43	026050136	平垫圈 5	WASHER, PLAIN 5	2
48	31-2S1-48A	BMP2060-0000000-CG40	<用于中国> G40操作盘(CH)	<For China Only> G-40-PANEL-CHINA	1
48	31-2S1-48B	BMP2060-0000000-0G40	<用于中国和欧洲以外> G40操作盘	<Except for China and Europe> G-40-PANEL	1
48	31-2S1-48C	BMP2060-0000000-EG40	<用于欧洲> G40操作盘(EU)	<For Europe Only> G-40-PANEL-EU	1
49	31-2S1-49	J80973001	G40操作盘基板组件	G40 PANEL PCB ASSY	1
50	31-2S1-50	J80974001	G40副基板组件	G40 SUB PCB ASSY	1
51	31-2S1-51	J03975001	G40操作盘面板 1	G40 PANEL SEAT 1	1
52	31-2S1-52	J03976001	G40操作盘面板 2	G40 PANEL SEAT 2	1
53	31-2S1-53	J04195001	操作盘安装架 #2	PANEL SETTING PLATE #2	1
54	31-2S1-54	J04273001	螺栓(带垫圈) M4×10DB	SCREW, PAN (S/P WASHER) M4×10	3
55	31-2S1-55	J03983001	霍尔元件 ICE-W400	HALL ELEMENT, ICE-400	3
56	31-2S1-56	J03984001	霍尔元件 ICE-W450	HALL ELEMENT, ICE-450	2



## 12. 控制箱装置(选购件) / Control box mechanism (Option parts)

< 用于 AC380-415V  
/ For "380-415V AC" >

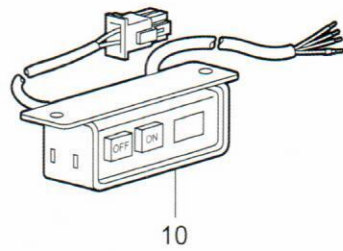
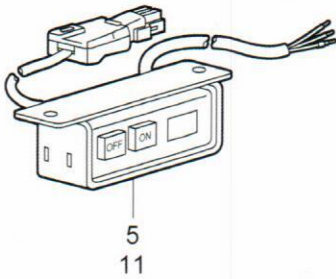
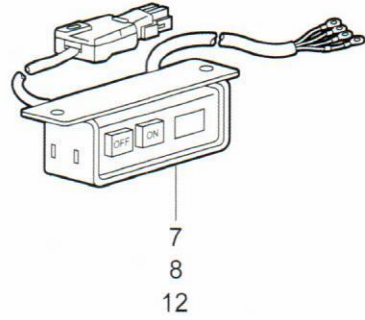
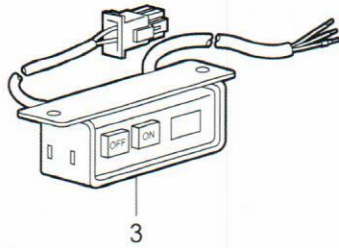
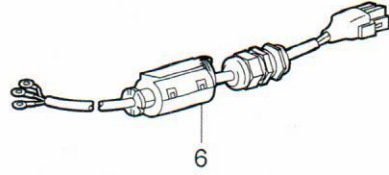
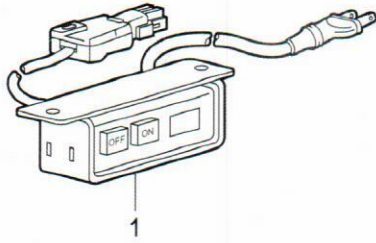




12. 控制箱装置(选购件) / Control box mechanism (Option parts)

序号	图 号	件 号	零 部 件 名 称	NAME OF PARTS	数量
1	31-2S2-1	J04393001	前箱盖 CDD-GO	FRONT BOX COVER CDD GO	1
2	31-2S2-2	J04438001	开关 CDD-GO	KEY TOP	1
3	31-2S2-3	J04440001	面板 CDD-GO	PANEL SHEET CDD GO	1
4	31-2S2-4	J03733001	微调旋钮	SPEED ADJUST KNOB	1
5	31-2S2-5	062400863	螺钉 M4×8	SCREW, PAN M4×8	1
6	31-2S2-6	028040245	弹簧垫圈	WASHER, SPRING	1
7	31-2S2-7	025040173	平垫圈 4	WASHER, PLAIN 4	1
8	31-2S2-8A	J04097001	<用于AC100-110V> 变压器 CDD-100V	<For 100-110V AC> TRANSFORMER, CDD-100V	1
8	31-2S2-8B	J04098001	<用于AC200-230V> 变压器 CDD-200V	<For 200-240V AC> TRANSFORMER, CDD-200V	1
9	31-2S2-9	J03939001	<用于AC380-415V> 变压器 400V-SP	<For 380-415V AC> TRANSFORMER, 400V-SP	1
10	31-2S2-10	J04167001	DC风扇CDD组件 #2	DC FAN ASSY, CDD #2	1
11	31-2S2-11	J01411001	<用于AC100-110V变压器> 螺栓(带垫圈)M4×50DA	<For Transformer of 100-110V AC> SCREW, PAN (S/P WASHER) M4×50	2
12	31-2S2-12	J00494001	螺栓(带垫圈) M4×14DA	SCREW, PAN (S/P WASHER) M4×14	2
13	31-2S2-13	J03739001	CR固定夹	SPRING PLATE, CR	1
14	32-2U2-14	J04099001	插头组件 CDD	FOOT PLUG ASSY, CDD	1
15	31-2S2-15	J04100001	电阻组件 R40/220#6	CEMENT RESISTOR ASSY, 40/220 #6	1
16	31-2S2-16	J04468001	<用于欧洲> 衰减器 ESD-SR-120	<For Europe> CORE: SD-SR-120	2
17	32-2U2-17	J02725001	地磁感应器 #2	EARTH INDUCTOR	1
18	31-2S2-17	J80968001	<前和后各二挡规格> 脚踏控制器 CDD	<Type forward 2 step, backward 2 step> TREADLE UNIT ASSY, CDD H	1
19	31-2S2-18	J80970001	<用于欧洲> CE过滤基板组件	<For Europe> CE FILTER PCB ASSY	1
20	32-2U2-20	J80964201	S基板组件 CDD#GO	CONTROL PCB ASSY, CDD#GO	1
21	31-2S2-20A	J80965001	<用于AC110V> D基板组件 CDD1-110V	<For 110V AC> POWER PCB ASSY, CDD 1-110V	1
21	31-2S2-20B	J80966101	<用于AC220-240V> D基板组件 CDD1-230V	<For 220-240V AC> POWER PCB ASSY, CDD 1-230V	1
22	31-2S2-21	J04169001	<用于AC400V> CDD热控管 #2	<For 400V AC> THERMISTOR, CDD #2	1
23	31-2S2-22	J04168001	<用于AC400V以外> 短路插座	<For Others> SHORT CONNECTOR	1
24	31-2S2-23	J04210001	螺钉一组 M8×65	BOLT ASSY, SQUARE M8×65	1
25	31-2S2-24	J04243001	地线螺钉组件	EARTH CORD SCREW TIE ASSY	1

13. 电气部件装置 / Power supply equipment mechanism

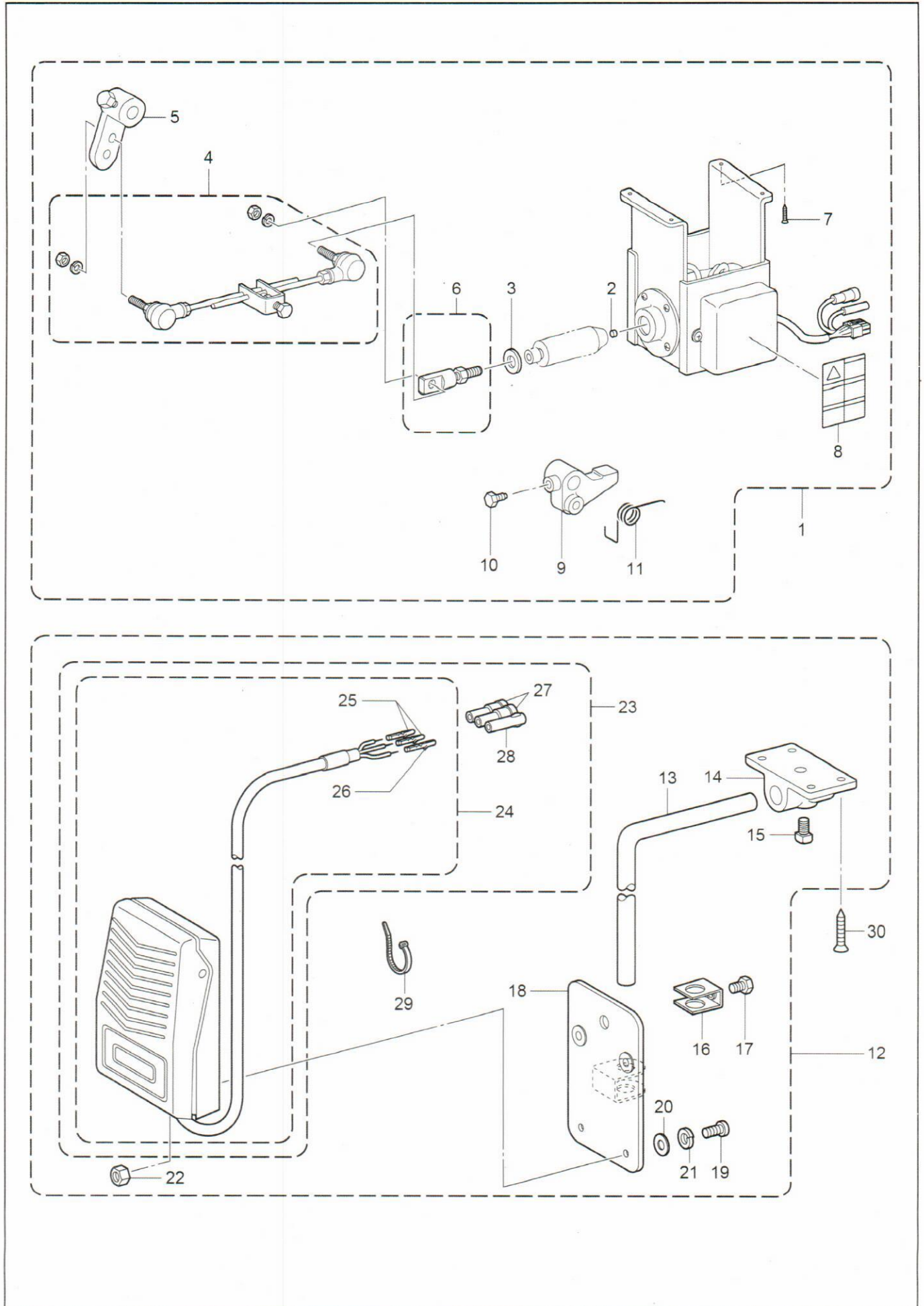




13. 电气部件装置 / Power supply equipment mechanism

序号	图号	件号	零部件名称	NAME OF PARTS	数量
1	31-2U-1	J04086001	<用于单相 100V AC> 电源开关组件 1-100V#6	<For Single phase 100V AC> POWER SWITCH ASSY, 1-100V #6	1
3	31-2U-2	J04469001	<用于单相 110V AC> 电源开关组件 1-110V#8	<For Single phase 110V AC> POWER SWITCH ASSY, 1-110V #8	1
5	31-2U-3	J04093001	<用于单相 220V AC> 电源开关组件 1-240V#6	<For Single phase 220V AC> POWER SWITCH ASSY, 1-240V #6	1
6	31-2U-4	J04134001	<用于单相 230V AC CE> 无电源开关 电源插头组件 1-240V#6	<For Single phase 230V AC CE> Power SW-less POWER PLUG ASSY, 1-240V #6	1
7	31-2U-5	J04096001	<用于三相 380V AC> 电源开关组件 3-400V#6	<For Three phase 380V AC> POWER SWITCH ASSY, 3-400V #6	1
8	31-2U-6	J04149001	<用于三相 200V AC> 电源开关组件 3-200V#6	<For Three phase 200V AC> POWER SWITCH ASSY, 3-200V #6	1
10	31-2U-7	J04470001	<用于三相 220V AC> 电源开关组件 3-240V#8	<For Three phase 220V AC> POWER SWITCH ASSY, 3-240V #8	1
11	31-2U-8	J04251001	电源开关组件 1-240V #CCC	POWER SWITCH ASSY, 1-240V #CCC	1
12	31-2U-9	J04255001	<用于三相 380V AC> 电源开关组件 3-400V#CCC	<For Three phase 380V AC> POWER SWITCH ASSY, 3-400V #CCC	1

14. 电磁抬压脚组件装置 (选购件) / Presser foot lifting solenoid mechanism (Option parts)





14. 电磁抬压脚组件装置(选购件)/ Presser foot lifting solenoid mechanism (Option parts)

序号	图号	件号	零部件名称	NAME OF PARTS	数量
1	31-2V-1	SA2707001	电磁抬压脚复合件 D2	P-FOOT LIFTER SOLENOID SET, D2	1
2	31-2V-2	S54025001	橡皮垫	CUSHION	1
3	31-2V-3	S54024001	橡皮垫圈	CUSHION RING	1
4	31-2V-4	S42198051	抬压脚杆组件	PRESSER FOOT LIFTER ROD ASSY	1
5	31-2V-5	S42199051	抬压脚手柄组件	P-FOOT LIFTER LEVER ASSY	1
6	31-2V-6	S41955051	连杆接头组件	ROD JOINT ASSY	1
7	31-2V-7	S42200051	木螺钉	WOOD SCREW	4
8	31-2V-8	S38351001	高温标志	LABEL, HIGH TEMP	1
9	31-2V-9	S10550001	抬压脚连杆	PRESSER BAR LIFTER LINK	1
10	31-2V-10	146367001	螺钉 15/64	BOLT, 15/64	1
11	31-2V-11	S07729001	弹簧	SPRING, TWIST	1
12	31-2V-12	S07045009	膝控开关大组件	KNEE LIFTER SWITCH ASSY	1
13	31-2V-13	142026003	膝控开关弯杆	KNEE SWITCH SHAFT	1
14	31-2V-14	142027001	膝控开关弯杆座	BRACKET	1
15	31Z1-49	100463001	四角型螺栓 5/16-18×16	BOLT, SQUARE 5/16-18×16	1
16	31Z1-53	114967001	碰块架	KNEE LIFTER PLATE STOPPER	1
17	31Z1-54	110087001	螺栓 15/64-28×8	BOLT, 15/64-28×8	1
18	31-2V-18	S07027001	膝控开关安装板	K-LIFTER SWITCH SETTING PLATE	1
19	31-2V-19	062401006	螺钉 M4×10	SCREW, PAN M4×10	4
20	31-2V-20	025040233	平垫圈 4	WASHER, PLAIN 4	4
21	31-2V-21	028040243	弹簧垫圈	WASHER, SPRING	4
22	31-2V-22	021400164	六角螺母 M4	NUT, M4	4
23	31-2V-23	S07030009	膝控开关引线组件	SWITCH & HARNESS ASSY	1
24	31-2V-24	S07031009	膝控开关组件	FOOT SWITCH ASSY	1
25	31-2V-25	143549000	接头插针	TERMINAL PIN, MALE	2
26	31-2V-26	143548000	接头插芯	TERMINAL PIN, FEMALE	1
27	31-2V-27	146046000	尼龙接头	NYLON CONNECTOR	2
28	31-2V-28	146194000	尼龙接头	NYLON CONNECTOR	1
29	31-2V-29	149799000	塑料固定带 S	BEAD BAND, S	1
30	31-2V-30	034422503	十字平头木螺钉 M4.1×25	WOOD SCREW, FLAT M4.1×25	4

## 15. 不同规格零部件一览表 / Different parts list

### ■ 旋梭 / Rotary hooks

旋梭在下列选购件中列有，请选择符合自己所需要的使用。

(零部件序号请使用旋梭放入旋梭盒内组件的零部件序号)

The following type of rotary hook are available. Select whichever one is suitable for your application.

(The following parts codes are assigned for the rotary hooks in the boxes.)

#### ● 标准(有切线) / Normal (With thread trimmer)

	全部规格 / For all type
旋梭盒组件 / Rotary hook assy	SA1683-111
内梭夹 / Inner rotary hook holder	S07748-001
弹簧 / Tension spring	151043-001

#### ● 标准(无切线) / Normal (Without thread trimmer)

	全部规格 / For all type
旋梭盒组件 / Rotary hook assy	SA1692-102



## 16. 工模具一览表 / Gauge parts list

### 标准件(有切线) / Normal (With thread trimmer)

- \* 最大针宽可达5/8"(15.9mm)为止。
- \* 切线用的定刀(S07527-001)和安装定刀用的螺钉(148539-101)没有附在针板上, 如需要的话, 请另行订货。
- \* 使用3/32英寸的工模具时, 请使用型号为DB×1(#7~#18)的机针。
- \* 9/32, 7/16的工模具用于8452B机。
- \* A maximum stitch width specification of 5/8" (15.9mm) is available.
- \* The thread trimming fixed knife (part no. S07527-001) and the installation screw (part no. 148539-101) are not provided with needle plate, so they must be ordered separately if required.
- \* In case of using the gauge set (3/32"), use needle size DB×1(#7~#18).
- \* The gauge set (9/32, 7/16) for 8452B.

针宽 Needle gauge (inch) (mm)	针夹复合件 Needle clamp set	针夹组件 Needle clamp assy	针板 Needle plate	送布牙 Feed dog			压脚组件 (8452B) Presser foot assy		压脚组件 (8752B) Presser foot assy
			用于中厚,厚布料 (-3,-5) For medium & heavy materials	用于中厚布料 (-3) For medium materials	用于厚布料 (-5) For heavy materials	用于中厚布料 (-3) For medium materials	用于厚布料 (-5) For heavy materials	用于中厚,厚布料 (-3,-5) For medium & heavy materials	
*3/32 (2.4)	L:S15705-001 R:S15706-001	L:S15707-001 R:S15708-001	159398-001		148697-001		148679-001	S20223-001	
1/8 (3.2)	L:S15711-001 R:S15712-001	L:S15713-001 R:S15714-001	155722-001	148698-001	148699-001	S36550-001	S36522-001	S36562-001	
5/32 (4.0)	L:S15717-001 R:S15718-001	L:S15719-001 R:S15720-001	155724-001	148700-001	148701-001	148689-001	148683-001	155455-001	
3/16 (4.8)	L:S15723-001 R:S15724-001	L:S15725-001 R:S15726-001	155851-001	148702-001	148703-001	S36554-001	S36556-001	S36564-001	
7/32 (5.6)	L:S15729-001 R:S15730-001	L:S15731-001 R:S15732-001	156816-001	156818-001	(8752B) S16223-001	156819-001		S16224-001	
1/4 (6.4)	L:S15735-001 R:S15736-001	L:S15737-001 R:S15738-001	155853-001	148704-001	148705-001	SA4051-001	SA4050-001	SA4052-001	
**9/32 (7.1)	L:S15741-001 R:S15742-001	L:S15743-001 R:S15744-001	S14530-001	S14532-001	S14533-001	S14534-001	S14536-001		
5/16 (7.9)	L:S15747-001 R:S15748-001	L:S15749-001 R:S15750-001	155855-001	149692-001	149691-001	149689-001	149687-001	155459-001	
3/8 (9.5)	L:S15753-001 R:S15754-001	L:S15755-001 R:S15756-001	155857-001	149939-001	149938-001	149942-001	149940-001	155461-001	
**7/16(11.1)	L:S15759-001 R:S15760-001	L:S15761-001 R:S15762-001	S01644-001	S01646-001		S01641-101			
1/2 (12.7)	L:S15765-001 R:S15766-001	L:S15767-001 R:S15768-001	149677-001	149676-001	149675-001	149673-101	149671-101	S09367-101	
5/8 (15.9)	L:S15771-001 R:S15772-001	L:S15773-001 R:S15774-001	149954-001	149949-001	149948-001	149952-101	149950-101	159575-101	

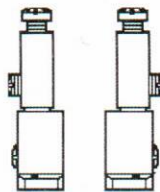
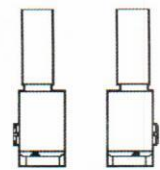
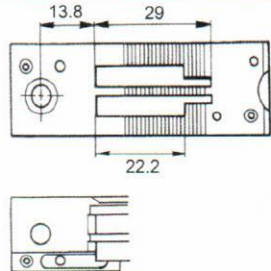
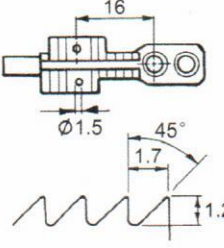
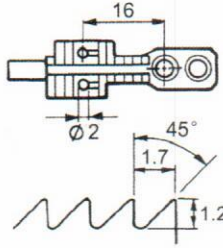
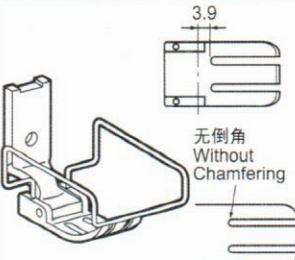
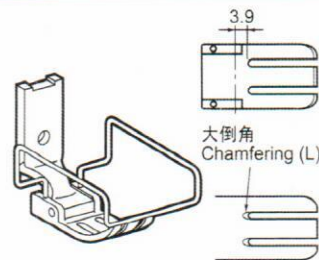
### 用于有空缝时 (8452B) / For sewing without material (8452B)

- \* 针板、送布牙和压脚组件均为非标准件。请在最大节距为4mm以下时使用。
- \* Needle plat, the feed dog and presser foot assembly is different from normal parts. Use gauge components of for sewing without material which have a maximum feed pitch of 4mm or less.

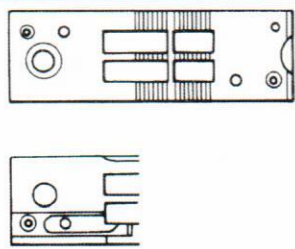
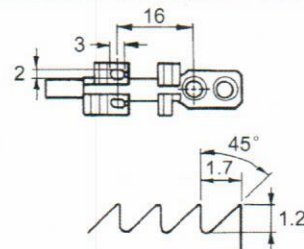
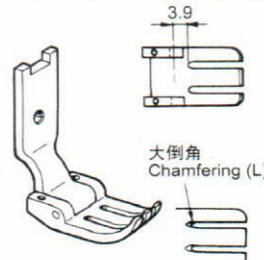
针宽 Needle gauge (inch) (mm)	针夹复合件 Needle clamp set	针夹组件 Needle clamp assy	针板 Needle plate	送布牙 Feed dog	压脚组件 Presser foot assy
3/16 (4.8)	标准件 / Normal	标准件 / Normal	S20901-001	S20905-001	S20903-001
1/4 (6.4)			S10507-001	S10509-101	S10510-001

# 16. 工模具一览表 / Gauge parts list

标准件(有切线) / Normal (With thread trimmer)

<p>针夹复合件 Needle clamp set</p>	<p>针夹组件 Needle clamp assy</p>	<p>针板 Needle plate</p> <p>用于中、厚布料(-3,-5) For medium &amp; heavy materials</p>	
			
<p>送布牙 Feed dog</p>		<p>压脚组件 (8452B) Presser foot assy</p>	<p>压脚组件 (8752B) Presser foot assy</p>
<p>用于中厚布料(-3) For medium materials</p>	<p>用于厚布料(-5) For heavy materials</p>	<p>用于中厚布料(-3) For medium materials</p>	<p>用于厚布料(-5) For heavy materials</p> <p>用于中、厚布料(-3,-5) For medium &amp; heavy materials</p>
			

用于有空缝时 (8452B) / For sewing without material (8452B)

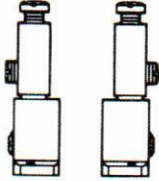
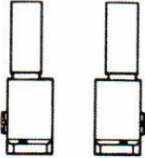
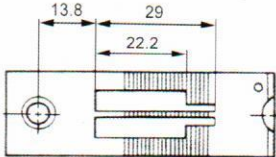
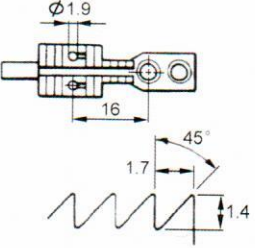
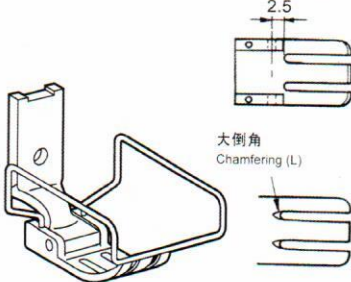
<p>针板 Needle plate</p>	<p>送布牙 Feed dog</p>	<p>压脚组件 Presser foot assy</p>
		



# 16. 工模具一览表 / Gauge parts list

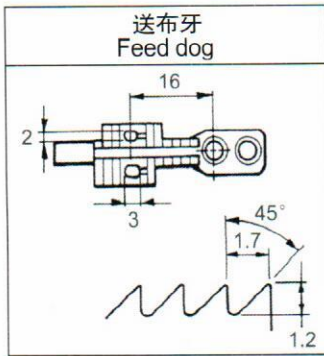
标准件(无切线) / Normal (Without thread trimmer)

针宽 Needle gauge  (inch) (mm)	针夹复合件 Needle clamp set	针夹组件 Needle clamp assy	针板 Needle plate	送布牙 Feed dog	压脚组件 Presser foot assy
			用于中厚,厚布料 (-3,-5) For medium & heavy materials	用于中厚,厚布料 (-3,-5) For medium & heavy materials	
1/8 (3.2)	L:S15711-001 R:S15712-001	L:S15713-001 R:S15714-001	117369-001	114951-001	S36562-001
5/32 (4.0)	L:S15717-001 R:S15718-001	L:S15719-001 R:S15720-001	150850-001	116509-001	155455-101
3/16 (4.8)	L:S15723-001 R:S15724-001	L:S15725-001 R:S15726-001	117133-001	112659-001	S36564-001
1/4 (6.4)	L:S15735-001 R:S15736-001	L:S15737-001 R:S15738-001	117367-001	112660-001	SA4052-001
5/16 (7.9)	L:S15747-001 R:S15748-001	L:S15749-001 R:S15750-001	144882-001	112661-001	155459-101
3/8 (9.5)	L:S15753-001 R:S15754-001	L:S15755-001 R:S15756-001	144881-101	116510-101	155461-101
1/2 (12.7)	L:S15765-001 R:S15766-001	L:S15767-001 R:S15768-001	S09365-001	116511-001	S09367-101
5/8 (15.9)	L:S15771-001 R:S15772-001	L:S15773-001 R:S15774-001	159577-001	116512-001	159575-101

针夹复合件 Needle clamp set	针夹组件 Needle clamp assy	针板 Needle plate 用于中厚、厚布料(-3,-5) For medium & heavy materials
		
送布牙 Feed dog 用于中厚、厚布料(-3,-5) For medium & heavy materials	压脚组件 Presser foot assy	
		

## 16. 工模具一览表 / Gauge parts list

用于厚布料(有切线) / For heavy materials (With thread trimmer)

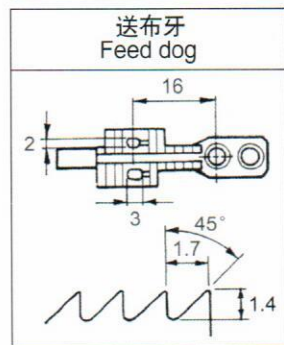


\* 送布牙为非标准件。

\* The feed dog is different from normal parts.

针宽 Needle gauge (inch) (mm)	针夹复合件 Needle clamp set	针夹组件 Needle clamp assy	针板 Needle plate	送布牙 Feed dog	压脚组件 Presser foot assy
3/16 (4.8)	标准件 / Normal	标准件 / Normal	标准件 / Normal	S07905-001	标准件(-5) / Normal(-5)
1/4 (6.4)				158756-001	

用于厚布料(无切线) / For heavy materials (Without thread trimmer)

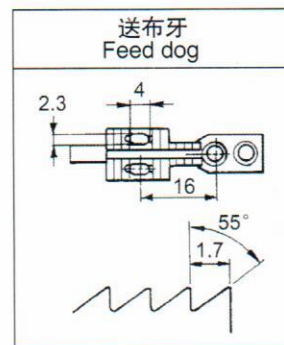


\* 送布牙为非标准件。

\* The feed dog is different from normal parts.

针宽 Needle gauge (inch) (mm)	针夹复合件 Needle clamp set	针夹组件 Needle clamp assy	针板 Needle plate	送布牙 Feed dog	压脚组件 Presser foot assy
3/16 (4.8)	标准件 / Normal	标准件 / Normal	标准件 / Normal	S21149-001	标准件 / Normal
1/4 (6.4)				S21150-001	

用于极厚布料(无切线) / For extra heavy materials (Without thread trimmer)



\* 送布牙为非标准件。

\* The feed dog is different from normal parts.

针宽 Needle gauge (inch) (mm)	针夹复合件 Needle clamp set	针夹组件 Needle clamp assy	针板 Needle plate	送布牙 Feed dog	压脚组件 Presser foot assy
1/8 (3.2)	标准件 / Normal	标准件 / Normal	标准件 / Normal	158430-001	标准件 / Normal
3/16 (4.8)				S13588-001	
1/4 (6.4)				153882-001	
3/8 (9.5)				153887-001	
1/2 (12.7)				153892-001	
5/8 (15.9)				153897-001	



16. 工模具一览表 / Gauge parts list

8452B (有切线 / With thread trimmer)

用于下送布 / For Drop Feed

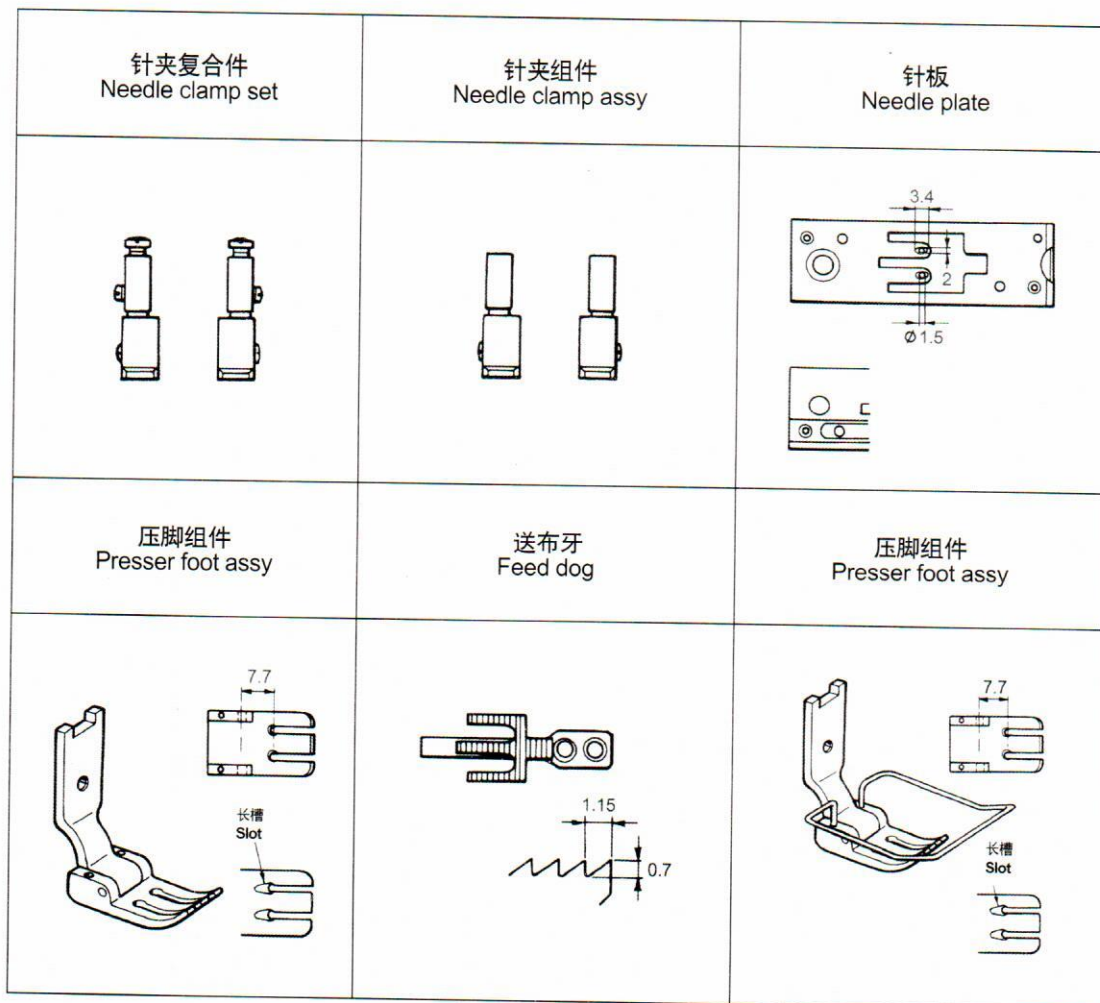
\* 最大针宽可达5/8"(15.9mm)为止。

\* 切线用的定刀(S07527-001)和安装定刀用的螺钉(148539-101)没有附在针板上, 如需要的话, 请另行订货。

\* A maximum stitch width specification of 5/8" (15.9mm) is available.

\* The thread trimming fixed knife (part no. S07527-001) and the installation screw (part no. 148539-101) are not provided with needle plate, so they must be ordered separately if required.

针宽 Needle gauge (inch) (mm)	针夹复合件 Needle clamp set	针夹组件 Needle clamp assy	针板 Needle plate	送布牙 Feed dog	压脚组件 Presser foot assy
1/8 (3.2)	L:S15711-001 R:S15712-001	L:S15713-001 R:S15714-001	S07401-001	S07409-001	S38544-001
3/16 (4.8)	L:S15723-001 R:S15724-001	L:S15725-001 R:S15726-001	S07403-001	S07410-001	S38542-001
1/4 (6.4)	L:S15735-001 R:S15736-001	L:S15737-001 R:S15738-001	S07405-101	S07411-001	S38543-001
5/16 (7.9)	L:S15747-001 R:S15748-001	L:S15749-001 R:S15750-001	S07676-001	S07680-001	S37682-001
3/8 (9.5)	L:S15753-001 R:S15754-001	L:S15755-001 R:S15756-001	S13621-001	S13623-101	S13624-001
1/2 (12.7)	L:S15765-001 R:S15766-001	L:S15767-001 R:S15768-001	S07678-001	S07681-001	S07684-101





## 索引 / Index

CODE	PEF. NO	Page	CODE	PEF. NO	Page	CODE	PEF. NO	Page	CODE	PEF. NO	Page
012060636	2-15	4	062500816	11-45	16	149938001	16	24	J03984001	11-56	16
	9-25	12	062501016	1-3	2	149939001	16	24	J04086001	13-1	20
012500536	9-5	12		9-8	12	149940001	16	24	J04093001	13-5	20
	10-21	14		9-18	12	149942001	16	24	J04096001	13-7	20
014400632	11-23	16		10-14	14	149948001	16	24	J04097001	12-8	18
014500632	11-39	16		10-28	14	149949001	16	24	J04098001	12-8	18
016061031	2-13	4	062501212	4-13	6	149950101	16	24	J04099001	12-14	18
017500812	9-44	12		6-16	8	149952101	16	24	J04100001	12-15	18
018062032	2-17	4	062501416	1-2	2	149954001	16	24	J04134001	13-6	20
018501632	11-20	16	062661212	10-26	14	151025001	7-2	10	J04149001	13-8	20
021060306	9-39	12	0A4261005	11-28	16	151027001	7-7	10	J04167001	12-10	18
021350106	9-22	12	0A4300805	11-26	16	151029001	7-12	10	J04168001	12-23	18
021400106	11-10	16		11-37	16	151030001	7-13	10	J04169001	12-22	18
021400164	14-22	22	0A4401005	11-29	16	151034001	7-6	10	J04195001	11-53	16
025040173	12-7	18		11-35	16	151035001	7-5	10	J04210001	12-24	18
025040232	1-14	2	0A5300606	11-33	16	151043001	15	23	J04230001	11-34	16
025040233	14-20	22	100463001	14-15	22	153132000	2-19	4	J04243001	12-25	18
025050236	9-45	12	110087001	14-17	22	153138001	2-10	4	J04251001	13-11	20
	10-24	14	110161004	8-1	10	154514001	11-9	16	J04255001	13-12	20
025060136	11-16	16	114967001	14-16	22	154729001	2-2	4	J04273001	11-54	16
026040236	11-8	16	140647101	10-9	14	154730001	2-3	4	J04296001	11-36	16
026050136	11-47	16		11-5	16	154731000	2-4	4	J04393001	12-1	18
028030246	11-14	16	141331002	9-35	12	155455001	16	24	J04438001	12-2	18
028040242	1-13	2		9-37	12	155459001	16	24	J04469001	13-3	20
028040243	14-21	22	141544001	4-8	6	155461001	16	24	J04440001	12-3	18
028040245	12-6	18		6-11	8	155478001	7-17	10	J04468001	12-16	18
028050242	11-21	16	142026003	14-13	22	155479001	7-16	10	J04470001	13-10	20
028050246	11-46	16	142027001	14-14	22	156521002	7-11	10	J80964201	12-20	18
034422503	14-30	22	143548000	14-26	22	155722001	16	24	J80965001	12-21	18
048030342	1-18	2	143549000	14-25	22	155724001	16	24	J80966101	12-21	18
	1-22	2	146046000	14-27	22	155851001	16	24	J80968001	12-18	18
048060142	2-9	4	146194000	14-28	22	155853001	16	24	J80970001	12-19	18
048070342	9-29	12	146367001	14-10	22	155855001	16	24	J80971001	11-30	16
048090342	10-3	14	148511001	10-2	14	155857001	16	24	J80973001	11-49	16
060300606	3-8	4	148536001	9-48	12	159398001	16	24	J80974001	11-50	16
060400516	10-13	14	148539101	9-50	12	156816001	16	24	J80990001	11-19	16
062020806	11-4	16	148546001	9-14	12	156818001	16	24	S01567001	7-3	10
062060812	11-15	16		10-15	14	156819001	16	24	S01568001	7-4	10
062060816	8-5	10	148559100	9-27	12	158756001	16	24	S01641101	15	24
	9-12	12	148602001	4-17	6	159575101	16	24	S01644001	15	24
062061012	9-10	12	148679001	16	24	159801001	7-8	10	S01646001	15	24
062061016	2-7	4	148683001	16	24	159802001	7-9	10	S02664001	10-5	14
062061616	9-30	12	148689001	16	24	340400001	9-54	12	S02665000	10-6	14
062300616	9-8	14	148697001	16	24	BMP2060-0000000-CG40			S07027001	14-18	22
	11-13	16	148698001	16	24		11-48	16	S07030009	14-23	22
062351216	9-21	12	148699001	16	24	BMP2060-0000000-0G40			S07031009	14-24	22
062401216	11-7	16	148700001	16	24		11-48	16	S07045009	14-12	22
062400616	10-10	14	148701001	16	24	BMP2060-0000000-EG40			S07351001	1-16	2
	11-6	16	148702001	16	24		11-48	16	S07401001	16	27
062400812	4-6	6	148703001	16	24	J00494001	12-12	18	S07403001	16	27
	6-9	8	148704001	16	24	J01411001	12-11	18	S07405101	16	27
062400863	12-5	18	148705001	16	24	J02725001	12-17	18	S07409001	16	27
062401006	14-19	22	149095001	2-18	4	J03733001	12-4	18	S07410001	16	27
062403512	1-12	2	149671101	16	24	J03739001	12-13	18	S07411001	16	27
062500616	3-9	4	149673101	16	24	J03939001	12-9	18	S07424001	10-30	14
	3-11	4	149675001	16	24	J03955001	11-22	16	S07509001	9-28	12
	3-13	4	149676001	16	24	J03956001	11-24	16	S07525000	4-7	6
062500812	2-6	4	149677001	16	24	J03957001	11-25	16		5-10	8
062500816	8-3	10	149687001	16	24	J03958001	11-27	16	S07526201	9-47	12
	9-53	12	149689001	16	24	J03964001	11-38	16	S07527001	9-49	12
	10-23	14	149691001	16	24	J03975001	11-51	16	S07529001	1-17	2
	11-16	16	149692001	16	24	J03976001	11-52	16		1-21	2
	11-43	16	149799000	14-29	22	J03983001	11-55	16	S07549101	10-18	14



CODE	PEF. NO	Page	CODE	PEF. NO	Page	CODE	PEF. NO	Page	CODE	PEF. NO	Page
S07550001	10-19	14	S15737001	16	28	S38543001	16	28	S38428001	1-31	2
S07552101	10-25	14	S15738001	16	24	S38544001	16	28	S38542001	16	28
S07553001	10-29	14	S15738001	16	28	S38687000	9-51	12	SA2675001	6-13	8
S07676001	16	28	S15741001	16	24	S38710001	1-8	2	SA2676001	4-5	6
S07678001	16	28	S15742001	16	24	S38713100	1-11	2		6-8	8
S07680001	16	28	S15743001	16	24	S38744101	11-2	16	SA2670001	4-16	6
S07681001	16	28	S15744001	16	24	S39048001	10-7	14		6-19	8
S07684101	16	28	S15747001	16	24	S41955051	14-6	22	SA2677001	1-19	2
S07729001	14-11	22		16	28	S42198051	14-4	22		1-23	2
S07748001	15	23	S15748001	16	24	S42199051	14-5	22	SA2678001	8-2	10
S07905001	16	27		16	28	S42200051	14-7	22	SA2679001	8-4	10
S09259001	6-2	8	S15749001	16	24	S54024001	14-3	22	SA2680001	10-1	14
S09271002	7-14	10		16	28	S54025001	14-2	22	SA2682001	10-16	14
S09284001	7-18	10	S15750001	16	24	SA1385001	11-1	16	SA2683001	10-17	14
S09285051	6-20	8		16	28	SA1388001	3-12	4	SA2684001	10-27	14
S09286000	6-21	8	S15753001	16	24	SA1390001	3-6	4	SA2686001	11-3	16
S09367101	16	24		16	28	SA1683111	15	23	SA2687001	11-42	16
S10507001	16	24	S15754001	16	24	SA1998001	9-52	12	SA2688001	3-1	4
S10509101	16	24		16	28	SA2270001	3-2	4	SA2689001	3-10	4
S10510001	16	24	S15755001	16	24	SA2354001	11-40	16	SA2696001	10-12	14
S10550001	14-9	22		16	28	SA2378001	9-32	12	SA2707001	14-1	22
S10780001	1-20	2	S15756001	16	24	SA2442101	1-1	2	SA2712001	11-17	16
S13621001	16	28		16	28	SA2452101	1-6	2	SA2717001	4-4	6
S13623101	16	28	S15759001	16	24	SA2460001	1-7	2		6-7	8
S13624001	16	28	S15760001	16	24	SA2461001	1-10	2	SA2728001	9-7	12
S14530001	16	24	S15761001	16	24	SA2462001	1-15	2	SA2732001	10-11	14
S14532001	16	24	S15762001	16	24	SA2504001	10-20	14	SA2791001	1-29	2
S14533001	16	24	S15765001	16	24	SA2535101	2-5	4	SA2793001	1-30	2
S14534001	16	24		16	28	SA2536001	2-11	4	SA2796001	1-32	2
S14536001	16	24	S15766001	16	24	SA2539001	2-16	4	SA2826001	4-14	6
S15705001	16	24		16	28	SA2540001	2-12	4		6-17	8
S15706001	16	24	S15767001	16	24	SA2541001	1-25	2	SA2859000	9-17	12
S15707001	16	24		16	28	SA2574001	4-3	6	SA2860001	9-16	12
S15708001	16	24	S15768001	16	24		6-6	8	SA2937101	1-28	2
S15711001	16	24		16	27	SA2578001	1-24	2	SA2992001	2-8	4
	16	28	S15771001	16	24	SA2638001	1-26	2		2-14	4
S15712001	16	24	S15772001	16	24	SA2640001	1-27	2	SA3025001	11-41	16
	16	28	S15773001	16	24	SA2642001	9-1	12	SA3072001	2-1	4
S15713001	16	24	S15774001	16	24	SA2643001	9-2	12	SA3175001	11-12	16
	16	28	S16223001	16	24	SA2644001	9-3	12	SA3857001	5-3	8
S15714001	16	24	S16224001	16	24	SA2645001	9-4	12	SA3912001	4-9	6
	16	28	S20223001	16	24		9-46	12		6-12	8
S15717001	16	24	S20901001	16	24	SA2646001	9-6	12	SA4040001	11-11	16
S15718001	16	24	S20903001	16	24	SA2647001	9-9	12	SA4050001	16	24
S15719001	16	24	S20905001	16	24	SA2648001	9-11	12	SA4051001	16	24
S15720001	16	24	S23651001	1-9	2	SA2651001	9-13	12	SA4052001	16	24
S15723001	16	24		4-11	6	SA2652101	9-15	12	SA4435101	4-1	6
	16	28		6-14	8	SA2653001	9-19	12	SA4436101	4-15	6
S15724001	16	24	S25236001	9-33	12	SA2655001	9-20	12	SA4437101	5-1	6
	16	28	S32904000	3-4	4	SA2657001	9-23	12	SA4438101	5-11	6
S15725001	16	24	S32905000	3-5	4	SA2658001	9-24	12	SA4439101	6-1	8
	16	28	S32907000	3-7	4	SA2659001	9-26	12	SA4458001	4-14	6
S15726001	16	24	S34281000	3-3	4	SA2661001	9-31	12	SA5200001	11-44	16
	16	28	S36522001	16	24	SA2663001	9-34	12	SA6294001	4-18	6
S15729001	16	24	S36550001	16	24	SA2665001	9-36	12		6-22	8
S15730001	16	24	S36554001	16	24	SA2667001	9-38	12	SA6301001	4-2	6
S15731001	16	24	S36556001	16	24	SA2668001	9-40	12		5-5	8
S15732001	16	24	S36562001	16	24	SA2669001	9-41	12	SA6307001	4-19	6
S15735001	16	24	S36564001	16	24	SA2671001	4-12	6		6-23	8
	16	28	S37682001	16	24		6-15	8			
S15736001	16	24	S38351001	14-8	22	SA2672001	9-42	12			
	16	28	S38421001	10-22	14	SA2673001	9-43	12			
S15737001	16	24	S38426000	10-4	14	SA2675001	4-10	6			

