

GLOBAL

LP 1646 XLH

**HEAVY DUTY, DOUBLE NEEDLE,
WALKING FOOT POST BED MACHINE
WITH EXTRA LARGE ROTATING HOOKS**

**INSTRUCTION / OPERATING MANUAL
PARTS MANUAL**

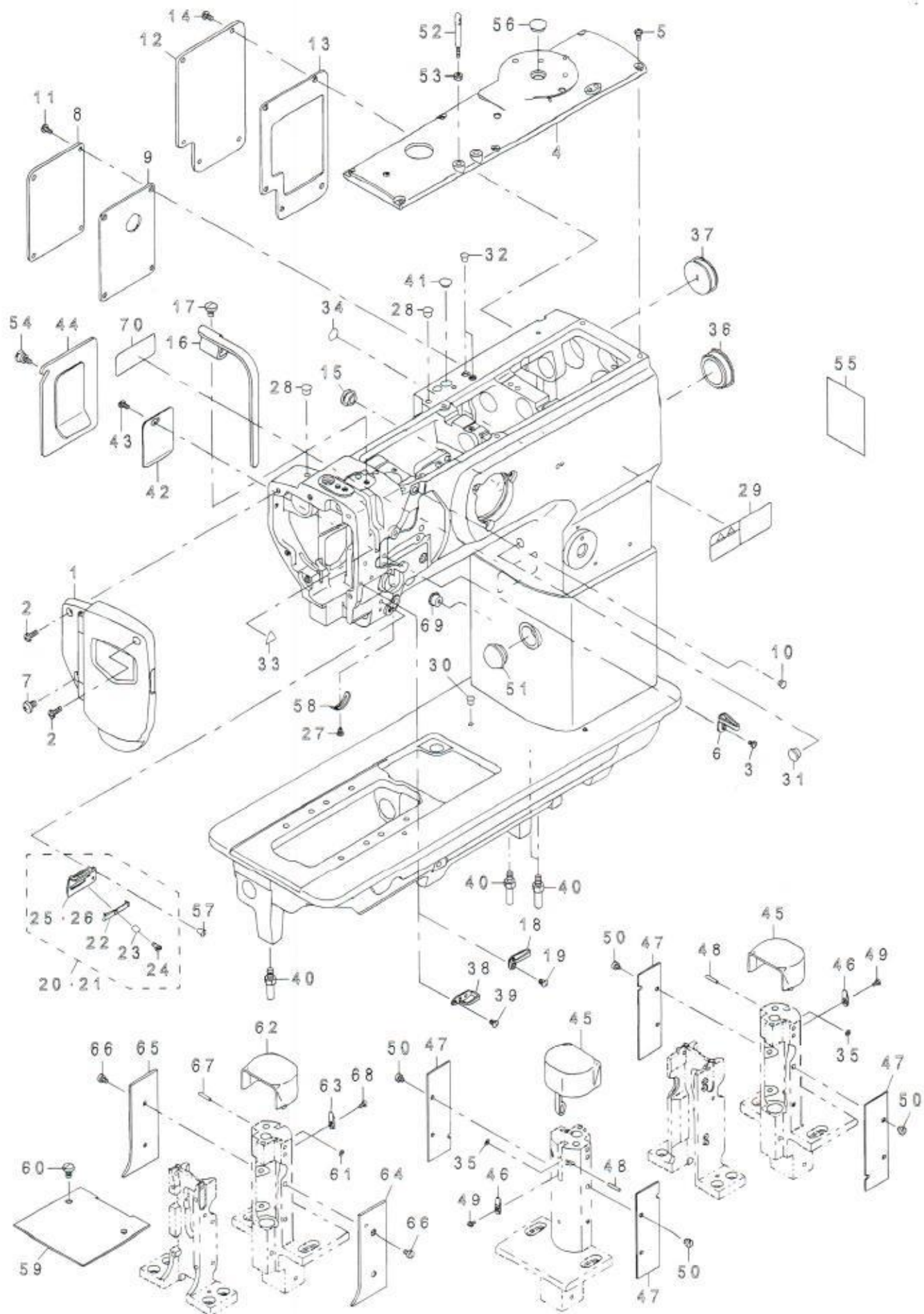
WWW.GLOBALSEW.COM



目 录 (CATALOGUE)

1、外部装置 (FRAME & MISCELLANEOUS COVER COMPONENTS)	2
2、上轴及挑线装置 (UPPER SHAFT & BALANCE COMPONENTS)	4
3、针杆摆动机构 (NEEDLE BAR ROCKING COMPONENTS)	6
4、压脚调节及上送料 (PRESSURE ADJUSTING & UPPER FEED MECHANISM COMPONENTS)	8
5、压脚调节及上送料 (PRESSURE ADJUSTING & UPPER FEED MECHANISM COMPONENTS)	10
6、送料机构 (FEED MECHANISM COMPONENTS) (FOR HY1710-7, HY1760-7)	14
7、送料机构 (FEED MECHANISM COMPONENTS) (FOR HY1710L, HY1760L)	16
8、下送料装置 (FEED BASE COMPONENTS)	20
9、下轴装置 (HOOK SHAFT & LOWER SHAFT COMPONENTS) (FOR HY1710-7, HY1710L)	24
10、下轴装置 (HOOK SHAFT & LOWER SHAFT COMPONENTS) (FOR HY1760-7, HY1760L)	26
11、夹线器 (THREAD TENSION COMPONENTS) (FOR HY1710-7, HY1710L)	28
12、夹线器 (THREAD TENSION COMPONENTS) (FOR HY1760-7, HY1760L)	30
13、膝提组件 (KNEE LIFTING COMPONENTS)	32
14、打线器装置 (LOWER THREAD WINDER MECHANISM COMPONENTS)	34
15、运油关系 (LUBRICATION COMPONENTS)	36
16、运油关系 (LUBRICATION COMPONENTS)	38
17、针板及压脚部分 (GAUGE COMPONENTS STANDARD PARTS) (FOR HY1710-7, HY1710L)	40
18、针板及压脚部分 (GAUGE COMPONENTS STANDARD PARTS) (FOR HY1760-7, HY1760L)	42
19、梭床 (HOOK COMPONENTS)	44
20A、切线部分 (THREAD CUTTING COMPONENTS) (FOR HY1710-7)	46
20B、切线部分 (THREAD CUTTING COMPONENTS) (FOR HY1760-7)	48
21、油盆及护罩 (BELT COVER & OIL RESERVOIR COMPONENTS)	50
22、自动抬压脚装置 (选配) (AUTOMATIC PRESSER LIFTING MECHANISM COMPONENTS) (OPTIONAL PARTS)	52
23、气源处理组件 (选配) (AIR MECHANISM COMPONENTS) (OPTIONAL PARTS)	54
24、自动倒缝装置 (选配) (AUTOMATIC BACK COMPONENTS) (OPTIONAL PARTS)	56
25、DL装置 (选配) (DL MECHANISM COMPONENTS) (OPTIONAL PARTS)	58
26、双重夹具装置 (选配) (ADDITIONAL SPRING FOR PRESSER BAR COMPONENTS) (OPTIONAL PARTS)	60
27、松线部分 (THREAD RELEASE COMPONENTS) (FOR HY1710-7, HY1760-7)	62
28、附件 (ACCESSORIES PARTS COMPONENTS)	64

1、外部装置 (FRAME & MISCELLANEOUS COVER COMPONENTS)



序号	零件号	说明	编码及型号	英文名称	中文名称	数量
1			40016798	FACE PLATE ASM.	面板	1
2			SS4111215SP	SCREW 11/64-40 L=12	螺钉11/64-40 L=12	2
3			SS5090610SP	SCREW 9/64-40 L=6	螺钉9/64-40 L=6	1
4			21331301	TOP COVER B	顶盖	1
5			SS4110815SP	SCREW 11/64-40 L=8	螺钉11/64-40 L=8	6
6			21355805	THREAD GUIDE	过线钩	1
7			SS4150915SP	SCREW 15/64-28 L=9	螺钉	1
8		#02	21437108	WINDOW PLATE E	后窗板	1
9		#02	21437306	WINDOW PLATE E PACKING	油垫	1
10			TA0620504RO	CAP	橡皮塞	2
11		#02	SS4110815SP	SCREW 11/64-40 L=8	螺钉11/64-40 L=8	4
12			21331806	WINDOW PLATE B	大后窗盖	1
13			21332002	WINDOW PLATE PACKING B	窗盖板B垫	1
14			SS4110815SP	SCREW 11/64-40 L=8	螺钉11/64-40 L=8	5
15			TA1250504RO	RUBBER PLUG	胶塞	1
16			21331608	BALANCE COVER	天平盖	1
17			SS7150910TP	SCREW 15/64-28 L=9	螺钉15/64-28 L=9	1
18		#03	10101400	THREAD GUIDE C	过线勾	1
19		#03	SS2090710TP	SCREW 9/64-40 L=7.2	螺钉9/64-40 L=7.2	1
20		#04	21408554	THREAD GUIDE ASM.	过线组件	1
21		#01	40039838	THREAD GUIDE PLATE ASM.	过线组件	1
22			17912106	NEEDLE THREAD PRESSER PLATE	面线压板	-1
23			B1132521000	THREAD PRESSER PLATE SPRING	压板弹簧	-1
24			SD0380551SL	HINGE SCREW D=3.80 H=5.5	铰链螺钉D=3.80 H=5.5	-1
25		#04	21408505	THREAD GUIDE PLATE	过线板	-1
26		#01	40039839	THREAD GUIDE PLATE	过线板	-1
27			SS7090520TP	SCREW 9/64-40 L=4.5	螺钉9/64-40 L=4.5	1
28			TA0750704RO	RUBBER PLUG	橡皮塞	2
29			CM301300001	SAFETY LABEL	安全标志	1
30			TA0550604RO	RUBBER PLUG	橡皮塞	1
31			TA1050504RO	RUBBER PLUG	橡皮塞	1
32			TA0550604RO	RUBBER PLUG	橡皮塞	2
33			CM300200001	ATTENTION SEAL	安全标志	1
34			22901805	GROUND MARK	接地标记	1
35		#04	WZ0320290UZ	WASHER 3.2X6.5X0.15	垫圈	2
36			22619100	CAP	橡皮塞	1
37			10201200	RUBBER PLUG	橡皮塞	1
38		#02	B1129051000	FRAME THREAD GUIDE UPPER	上过线	1
39		#02	SS2090710TP	SCREW 9/64-40 L=7.2	螺钉9/64-40 L=7.2	1
40			22602601	BED SCREW STUD	底板支撑螺钉	4
41			TA1250504RO	RUBBER PLUG	橡皮塞	1
42			21332309	SIDE COVER	侧盖板	1
43			SS4110815SP	SCREW 11/64-40 L=8	螺钉11/64-40 L=8	1
44		#03	21331756	WINDOW PLATE A ASM.	窗盖板A组件	1
45		#04	40038688	HOOK COVER ASM.	旋梭盖	2
46		#04	40017269	SLIDE PLATE	调节片	2
47		#04	40017316	HOOK SHAFT SADDLE COVER	防护板	4
48		#04	40038691	HOOK COVER HINGE SHAFT	床盖销	2
49		#04	SS4080620TP	SCREW 1/8-44 L=6	螺钉1/8-44L=6	2
50			SS6110480SP	SCREW 11/64-40 L=4.3	螺丝	8
51			TA2100904RO	RUBBER PLUG	胶塞	1
52			B1114517000	NEEDLE THREAD GUIDE PIN	过线柱	1
53			NS6620310SP	NUT 3/16-32	螺母	1
54		#03	21331202	SETSCREW	紧定螺钉	1
55			40019114	LUBRICATION SUPPLEMENT	标签	1
56		#03	TA1450404RO	RUBBER PLUG D=14.5 L=4	橡皮塞D=14.5 L=4	1
57			SS2090710TP	SCREW 9/64-40 L=7.2	螺钉9/64-40 L=7.2	1
58			B3138512000	TAKE-UP SPRING ADJUSTING PLATE	挑线簧调整板	1
59		#01	40039831	BED COVER	板	1
60		#01	SM4061001SB	SCREW M6 L=10	螺钉	2
61		#01	WZ0320290UZ	WASHER 3.2X6.5X0.15	垫圈	1
62		#01	40038688	HOOK COVER ASM.	旋梭盖	1
63		#01	40017269	SLIDE PLATE	调节片	1
64		#01	40017264	FEED LEVER BASE COVER A	防护板	1
65		#01	40017265	FEED LEVER BASE COVER B	防护板	1
66		#01	SS6090620SP	SCREW 9/64-40 L=6	螺丝	4
67		#01	40038691	HOOK COVER HINGE SHAFT	床盖销	1
68		#01	SS4080620TP	SCREW 1/8-44 L=6	螺钉1/8-44L=6	1
69			TA1100604RO	PLUG	胶塞	1
70		#05	40094561	SEWING MACHINE LABEL (EU)	标签	1

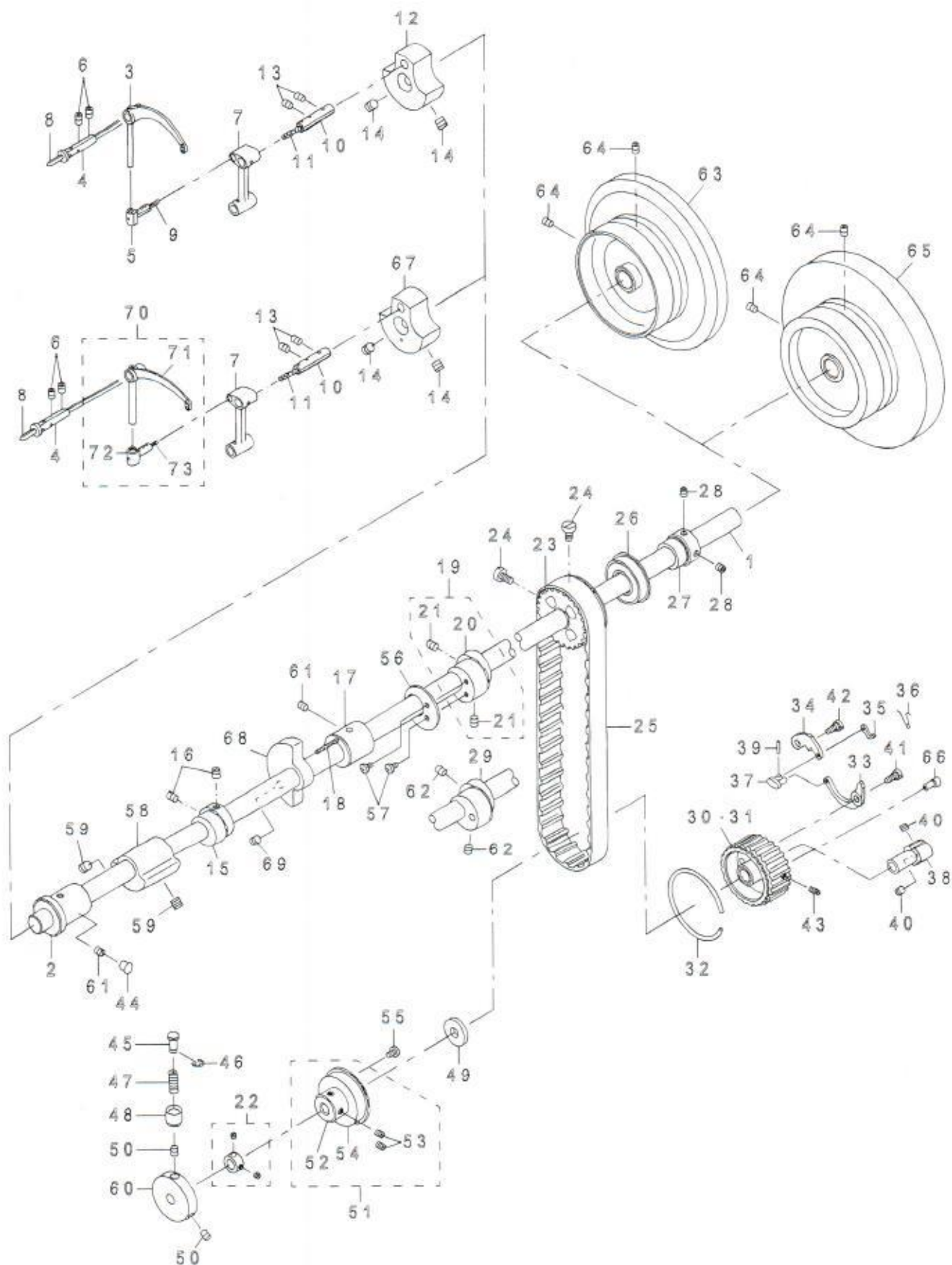
#01 FOR 1710-7

#03 FOR 1710-7/ 1760-7

#02 FOR 1760L

#04 FOR 1760-7/ 1760L

2、上轴及挑线装置 (UPPER SHAFT & BALANCE COMPONENTS)



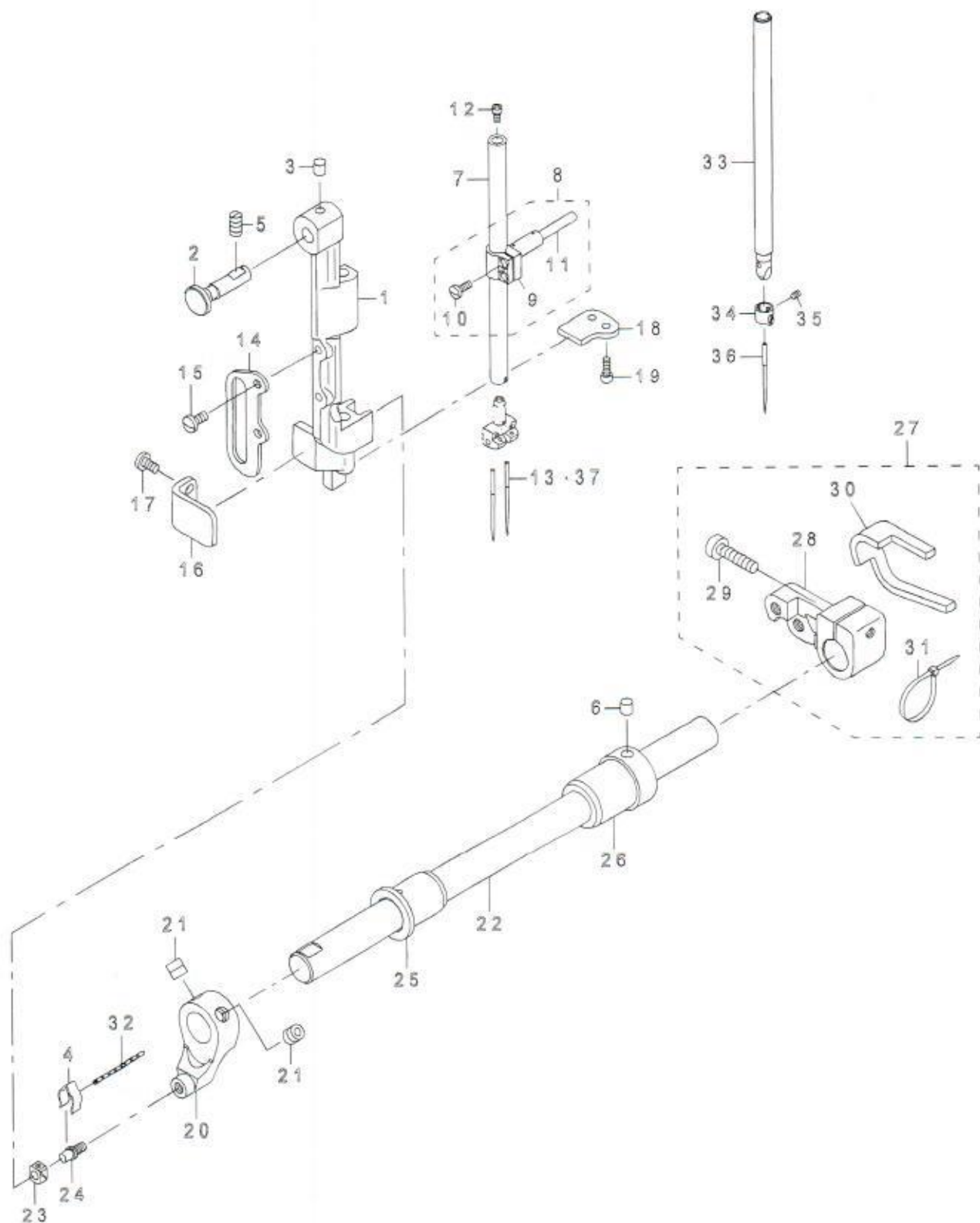
序号	零件号	说明	编码及型号	英文名称	中文名称	数量
1			21332705	UPPER SHAFT	上轴	1
2			21333000	UPPER SHAFT FRONT METAL	上轴前套	1
3		#03	23001001	THREAD TAKE-UP LEVER	挑线杆	1
4			B1906051000	TAKE-UP LEVER PIN	挑线杆销	1
5		#03	21333307	BALANCE SLIDE SHAFT	挑线杆滑块	1
6			SS8150822TP	SCREW 15/64-28 L=8	螺钉15/64-28 L=8	2
7			40038704	NEEDLE BAR CRANK ROD	针杆曲柄连杆	1
8			CQ303000000	OIL WICK	油线	0.2
9		#03	CQ202000000	OIL WICK	油线	0.03
10			B1210051000	NEEDLE BAR CRANK PIN	针杆曲柄销	1
11			CQ505000000	OIL WICK	油线	0.03
12		#03	21332507	COUNTER WEIGHT (A) (36MM)	针杆曲柄	1
13			SS8150822TP	SCREW 15/64-28 L=8	螺钉15/64-28 L=8	2
14			SM8080812TP	SCREW M8X8	螺钉M8X8	2
15		#03	21339502	UPPER FEED CAM (3.5)	上送料凸轮	1
16		#03	SS8660810TP	SCREW 1/4-40 L=8	螺钉1/4-40 L=8	2
17			21333109	UPPER SHAFT INNER METAL	上轴内套	1
18			CQ202000000	OIL WICK	油线	0.2
19		#03	21336557	ECCENTRIC CAM A ASM.	偏心凸轮A组件	1
20		#03	21336508	ECCENTRIC CAM A	偏心凸轮A	-1
21		#03	SS8660810TP	SCREW 1/4-40 L=8	螺钉1/4-40 L=8	-2
22			CS0950810SH	THRUST COLLAR ASM. D=9.5 W=8	止推紧圈组件D=9.5 W=8	1
23			40038692	UPPER SPROCKET	上同步轮	1
24			SS6661110SP	SCREW 1/4-40 L=11	螺钉	2
25			40038694	TIMING BELT (960)	1760内带 (960)	1
26			B1203512000	BUSHING REAR	6005N轴承	1
27			21402300	UPPER SHAFT BEARING HOOK	上轴轴承套	1
28			SM8060602TP	SCREW M6X6	螺钉M6X6	2
29		#02	40019905	TRIANGULAR CAM A	下送料偏心轮	1
30		#01	40038703	LOWER SPROCKET	下轴同步带轮	1
31		#01	21387501	LOWER SPROCKET	下轴同步带轮	1
32			B1214019000	SPROCKET RING	同步轮环	1
33			21387709	SAFETY CLUTCH SPRING	下轮板簧	1
34			21387600	SAFETY CLUTCH HOOK	下轮挂钩	1
35			B1308055000	SAFETY CLUTCH COUNTER-HOOK	下轮小钩	1
36			B1309055000	COUNTER-HOOK SPRING	下轮弹簧	1
37			B1310055000	SAFETY CLUTCH SMALL LINK	下轮小連結	1
38			21387808	SAFETY BASE	挂钩芯杆	1
39			B1314055000	SAFETY CLUTCH SMALL LINK PIN	开口销	1
40			SS8660612TP	SCREW 1/4-40 L=6	螺钉1/4-40L=6	2
41			SD0640322TP	HINGE SCREW D=6.35 H=3.2	板簧销钉	1
42			SD0640322TP	HINGE SCREW D=6.35 H=3.2	板簧销钉	1
43			SS8111010TP	SCREW 11/64-40 L=9.5	(下轮)偏心销支头螺钉	1
44			TA0750704R0	RUBBER PLUG	橡皮塞	1
45			B1312563000A	SAFETY CLUTCH PUSH BUTTON	按钮	1
46			RE0500000K0	E-RING	开口挡圈	1
47			B1639051000	SPRING	按钮簧	1
48			B1313055000	SAFETY CLUTCH KNOB SLEEVE	按钮架	1
49			40016148	THRUST COLLAR B WASHER	垫片	1
50			SS8150710TP	SCREW 15/64-28 L=7	按钮卡轮支头螺钉	2
51			40038700	THRUST COLLAR ASM.	下轴轴承芯棒组件	1
52			40038702	THRUST COLLAR	下轴轴承芯棒	-1
53			SS8661030SP	SCREW 1/4-40 L=10	下轴轴承芯棒螺钉	-2
54			SB120000200	BEARING 20X42	轴承	-1
55			SS7120760SP	SCREW 3/16-28 L=7.0	下轴轴承固定螺钉	2
56		#03	21353008	HORIZONTAL FEED CAM COVER	水平送料凸轮盖板	1
57		#03	SS7110710SP	SCREW 11/64-40 L=7	螺钉11/64-40 L=7	2
58		#02	40038830	BALANCER	配重	1
59		#02	SM8061212TP	SCREW M6X12	螺钉	2
60			21333703	SAFETY CLUTCH DISC	按钮卡轮	1
61			SS8150710TP	SCREW 15/64-28 L=7	按钮卡轮支头螺钉	2
62		#02	SS8660612TP	SCREW 1/4-40 L=6	螺钉1/4-40L=6	1
63		#03	21334008	FLYWHEEL	飞轮	1
64			SS8150822TP	SCREW 15/64-28 L=8	螺钉15/64-28 L=8	2
65		#02	23053606	FLYWHEEL	飞轮	1
66			21387907	ADJUSTING PIN (1.2)	(下轮)偏心销	1
67		#02	21332606	COUNTER WEIGHT (B) (38MM)	针杆曲柄	1
68		#03	21333406	BALANCER	天秤(平衡块)	1
69		#03	SS8151550SP	SCREW 15/64-28 L=15	螺钉15/64-28 L=15	2
70		#02	B19055200A0	THREAD TAKE-UP LEVER	挑线组件	1
71			B1905520000	THREAD TAKE-UP LEVER	挑线杆	-1
72			B1907057000	THRUST PIN	挑线杆滑块	-1
73			CQ202000000	OIL WICK	油线	-1

#01 SELECTIVE PARTS

#02 FOR 1760L

#03 FOR 1710-7/ 1760-7

3、针杆摆动机构 (NEEDLE BAR ROCKING COMPONENTS)



序号	零件号	说明	编码及型号	英文名称	中文名称	数量
1			23002009	NEEDLE BAR FRAME	摆针架	1
2			21405204	HINGE STUD	铰链销	1
3			22814909	FELT	油毡	1
4			B1437051000	OIL WICK RETAINER	油线夹	1
5			SS8151150TP	SCREW 15/64-28 L=10.5	螺钉15/64-28L=10.5	1
6			22814909	FELT	油毡	1
7	#04		21451406	NEEDLE BAR	针杆(双针用)	1
8			B14110570A0	NEEDLE BAR CLAMP ASM.	针杆连杆组件	1
9			B1411057000	NEEDLE BAR CONNECTION	针杆接头	-1
10			SS7090910SP	SCREW 9/64-40 L=8.5	螺钉	-2
11			B1412051000	FELT	油毡	-1
12	#04		SM6030602TP	SCREW M3X0.5 L=6	螺钉	1
13	#02		MC321001400	NEEDLE 134-35 #140	机针SY3355 160	2
14			21438007	UPPER FEED BAR GUIDE	防震板	1
15			SS7110910TP	SCREW 11/64-40 L=8.5	螺钉11/64-40 L=8.5	2
16			21388400	ROCKING BASE GUIDE	角板	1
17			SS7110830SP	SCREW 11/64-40 L=7.5	螺钉11/64-40 L=8.5	2
18			21338603	ROCKING BASE GUIDE (B)	滑块导向座B	1
19			SS6091022TP	SCREW	螺钉	2
20			21338801	ROCKING FRONT ARM	摆动前臂	1
21			SM8080802TP	SCREW	螺钉	2
22			21338900	ROCKING SHAFT	摆轴	1
23			B1414232000	SQUARE BLOCK	方滑块	1
24			B1410771000	STUD	螺栓	1
25			21339304	ROCKING SHAFT FRONT METAL	摆轴前轴套	1
26			40027746	BUSHING REAR	摆轴后轴套	1
27			40039270	ROCKING REAR ARM ASM.	摆动后臂组件	1
28			40039269	ROCKING REAR ARM	摆动后臂	-1
29			SS6152440SP	SCREW 15/64-28 L=23.5	螺钉	-1
30			23062102	ROCKING REAR ARM FELT	摆动后臂毛毡	-1
31			EA9500B0100	CABLE BAND	线卡	-2
32			CQ202000000	OIL WICK	油线	0.05
33	#01		B1401246000	NEEDLE BAR	针杆(单针用)	1
34	#01		40039836	NEEDLE BAR THREAD RACK	过线	1
35	#01		SS8080410TP	SCREW 1/8-44 L=3.5	螺钉	1
36	#01		MC321001300	NEEDLE 134-35 #130	机针	1
37	#03		MC321002000	NEEDLE 134-35 #200	机针	2

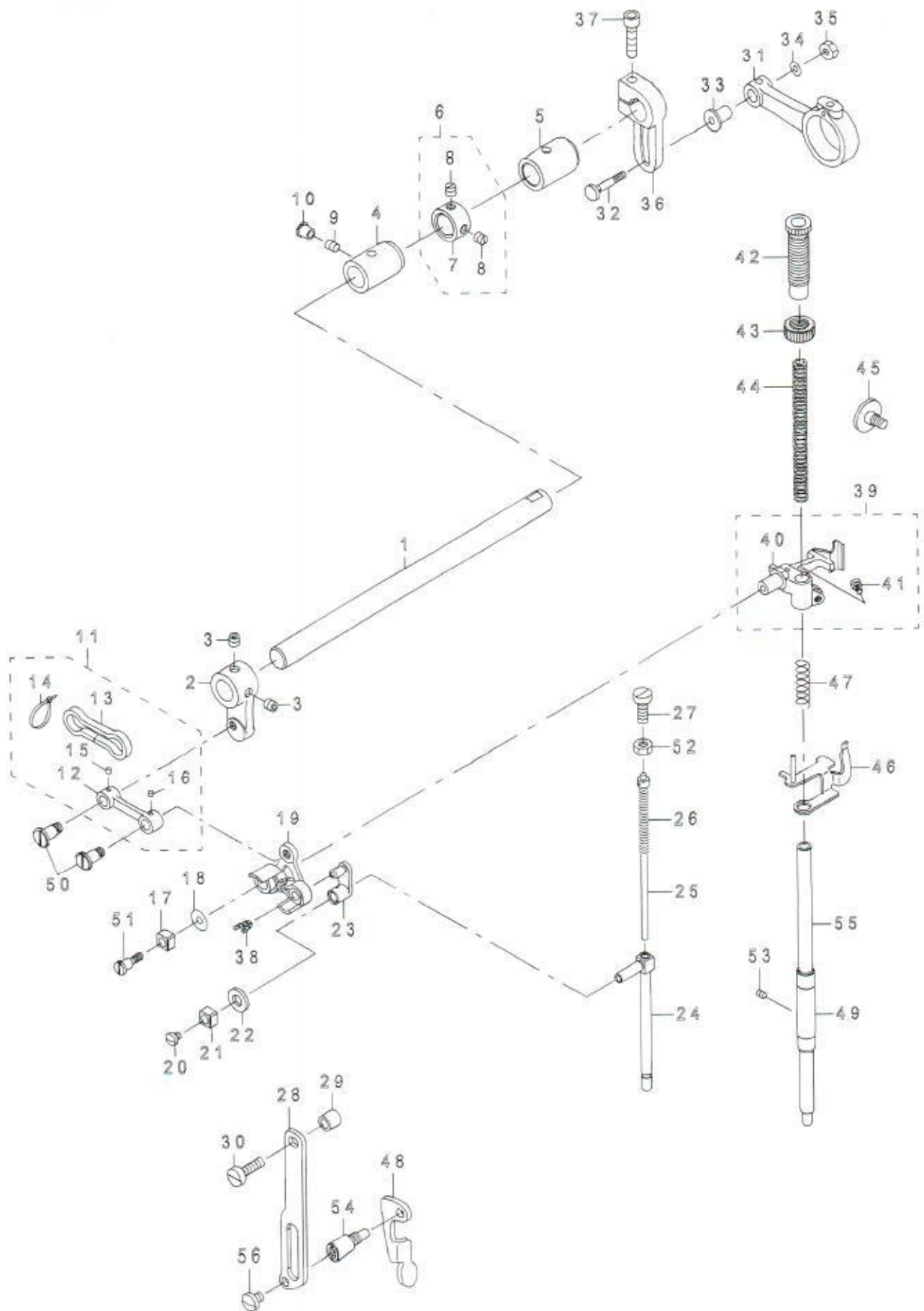
#01 FOR 1710-7

#02 FOR 1760-7

#03 FOR 1760L

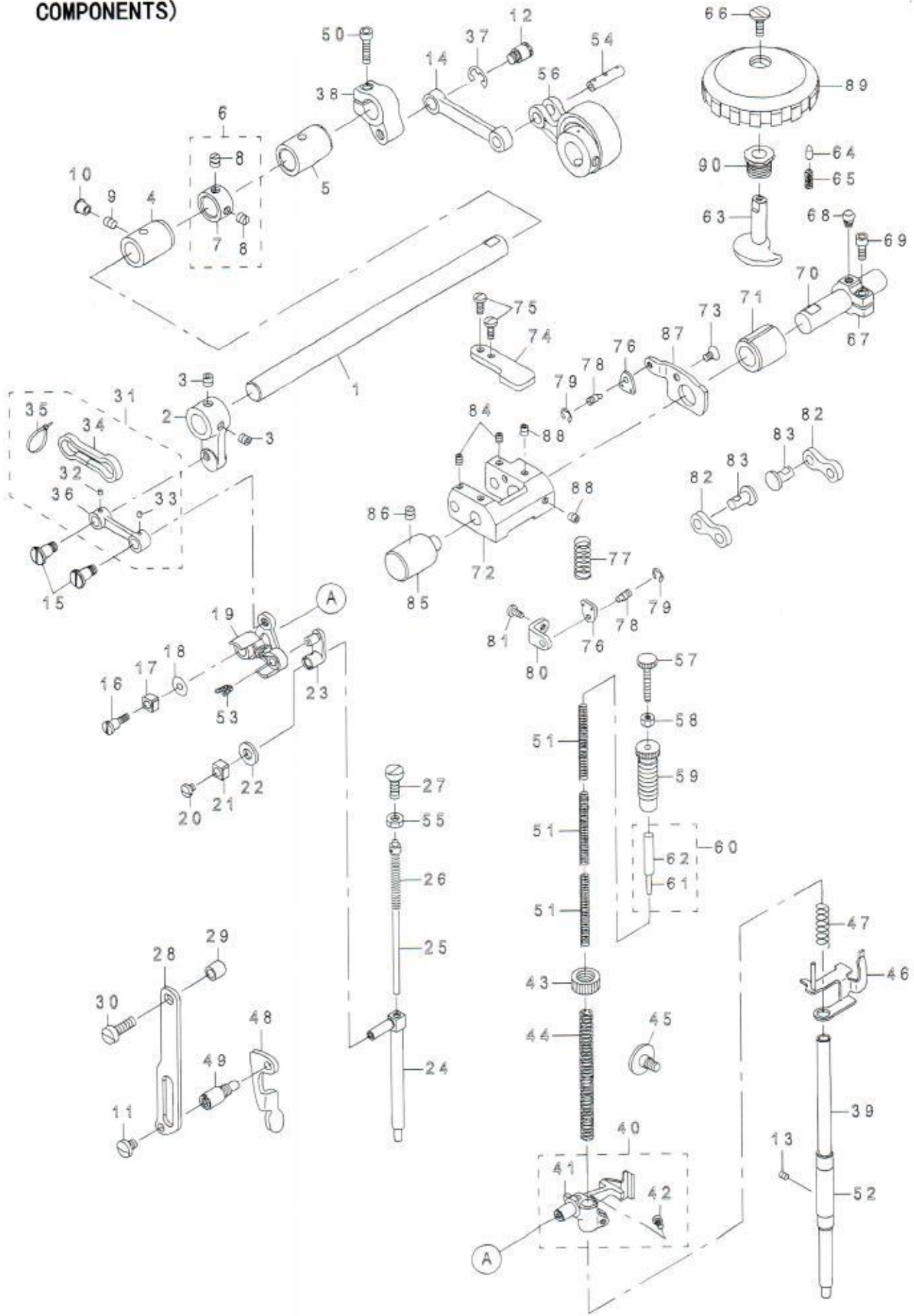
#04 FOR 1760-7/ 1760L

4、压脚调节及上送料 (PRESSURE ADJUSTING & UPPER FEED MECHANISM COMPONENTS)



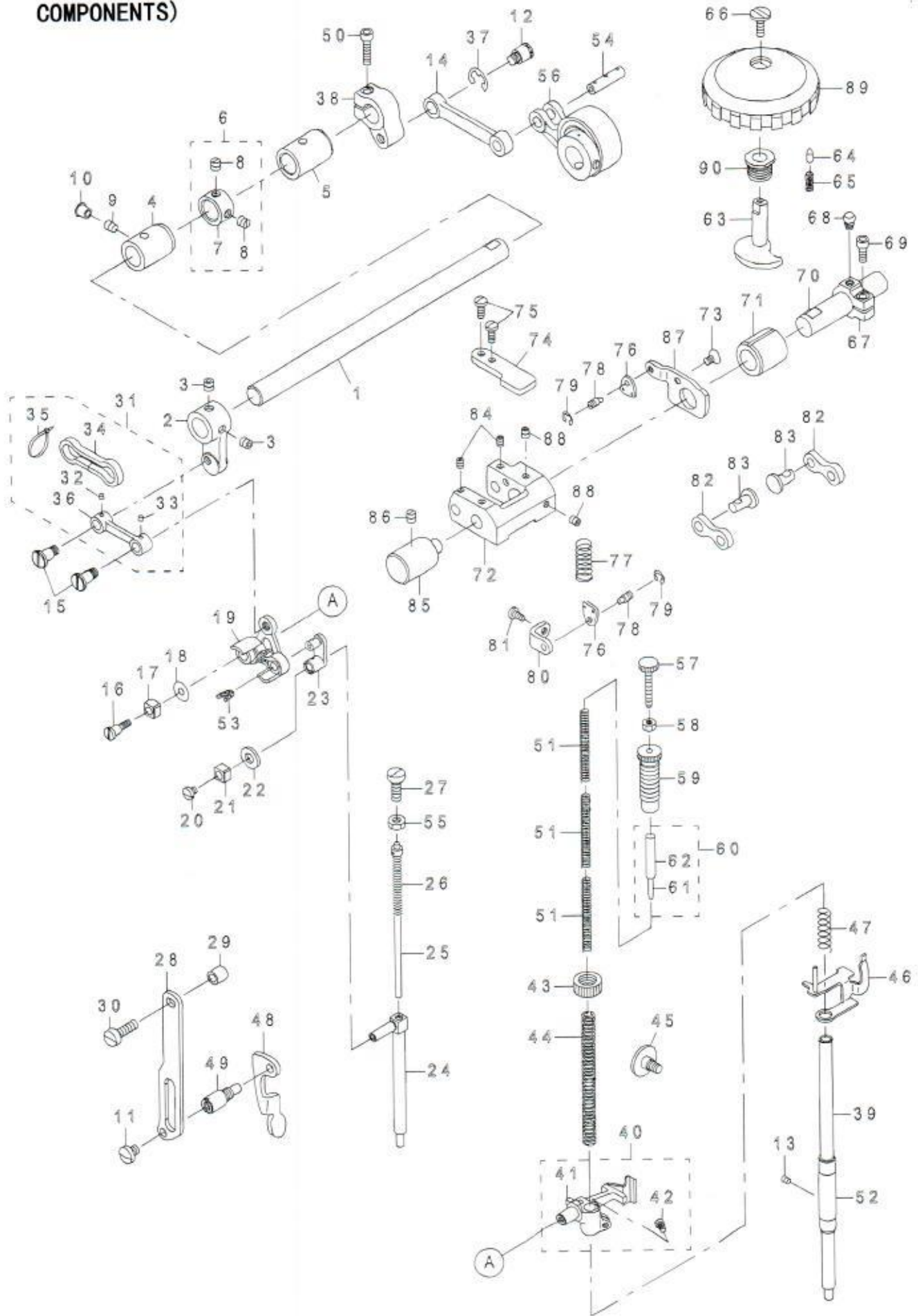
序号	零件号	说明	编码及型号	英文名称	中文名称	数量
1			21340401	UPPER FEED SHAFT	上送料轴	1
2			21340500	UPPER FEED FRONT ARM	上送料前臂	1
3			SS8660612TP	SCREW 1/4-40 L=6	螺钉1/4-40L=6	2
4			40039326	FRONT METAL	送料左轴套	1
5			21378302	FEED SHAFT METAL	送料右轴套	1
6			22904155	MAIN SHAFT THRUST COLLAR ASM.	主轴止推紧圈组件	1
7			22904106	MAIN SHAFT THRUST COLLAR	主轴止推紧圈	-1
8			SS8660610TP	SCREW 1/4-40 L=6	螺钉1/4-40L=6	-2
9			SS8150710TP	SCREW 15/64-28 L=7	按钮卡轮支头螺钉	1
10			TA0750704R0	RUBBER PLUG	橡皮塞	1
11			40033027	UPPER FEED LINK ASM.	上送料连杆组件	1
12			40033026	UPPER FEED LINK	上送料连杆	-1
13			21347109	FELT	油毡	-1
14			EA9500B0000	CLIP CV-70S	线卡	-2
15			CQ3000000F0	OIL FELT	油毡	-0
16			CQ3000000F0	OIL FELT	油毡	-0
17			B1414555000	SLIDE BLOCK	滑块	1
18			WP0501046SC	WASHER 5 X 13 X 1	垫圈5X13X1	1
19			40033029	TRIANGULAR LEVER ASM.	三角杠杆	1
20			SS7110510SP	SCREW 11/64-40 L=5	螺钉11/64-40 L=7	1
21			B1414555000	SLIDE BLOCK	滑块	1
22			10509701	FELT	油毡	1
23			40018341	WALKING BAR DRIVING LINK	走步压杆驱动连杆	1
24			40033033	WALKING BAR B	走步压杆	1
25			B14670530A0	WALKING BAR ASM.	走步压杆组件	1
26			B1468053000	WALKING BAR SPRING	走步压杆簧	1
27			SS6151780SP	SCREW 15/64-28 L=17.0	螺钉15/64-28L=17.0	1
28			21406509	UPPER FEED GUIDE PLATE	送料导向板	1
29			26225201	ROLLER	滚柱	1
30			SS6151920SP	SCREW 15/64-28 L=19.0	螺钉15/64-28L=19.0	1
31			21340104	UPPER FEED ROD	上送料连杆	1
32			D1456055B00	HINGE SCREW	铰链螺钉	1
33			D1455055B00	CONNECTING STUD	连杆栓	1
34			WP0482086SD	WASHER 4.8X11.5X2	垫圈4.8X11.5X2	1
35			NS6110530SP	NUT 11/64-40	螺母11/64-40	1
36			21437900	UPPER FEED REAR ARM	上送料后臂	1
37			SM6062502TP	SCREW M6 L=25	螺钉M6 L=25	1
38			CQ252000000	OIL WICK	油线	0.02
39			40039265	PRESSURE BAR HOLDER ASM.	压杆座组件	1
40			40039266	PRESSURE BAR HOLDER C	压紧杆夹头	-1
41			SS7110910TP	SCREW 11/64-40 L=8.5	螺钉11/64-40 L=8.5	-1
42			21340906	PRESSER ADJUSTING SCREW	压力调节螺钉	1
43			22907604	PRESSER SPRING REGULATOR NUT	压力调节螺母	1
44			B1502246000	PRESSER SPRING	压簧	1
45			40038705	PRESSURE BAR HOLDER GUIDE	螺钉D=8 H=4.9	1
46			40017276	THREAD RELEASE PLATE COMPL.	松线板	1
47			B1462053000	THREAD RELEASE SPRING	松线簧	1
48			21406103	PRESSER LIFTER LEVER	抬压扳手	1
49			22907109	PRESSER BAR BUSHING LOWER	压紧杆套	1
50			40018340	SCREW	铰链螺钉B	2
51			40018339	SCREW	铰链螺钉D=6.35H=7	1
52			NS6150430SP	NUT 15/64-28	螺母	1
53			SS8110520TP	SCREW 11/64-40 L=4.5	螺钉	1
54			21406608	GUIDE PLATE SPACER	导向板垫	1
55			21451505	PRESSER BAR	压杆	1
56			SS7150740SP	SCREW 15/64-28 L=7	螺钉15/64-28L=7	1

5、压脚调节及上送料 (PRESSURE ADJUSTING & UPPER FEED MECHANISM COMPONENTS)



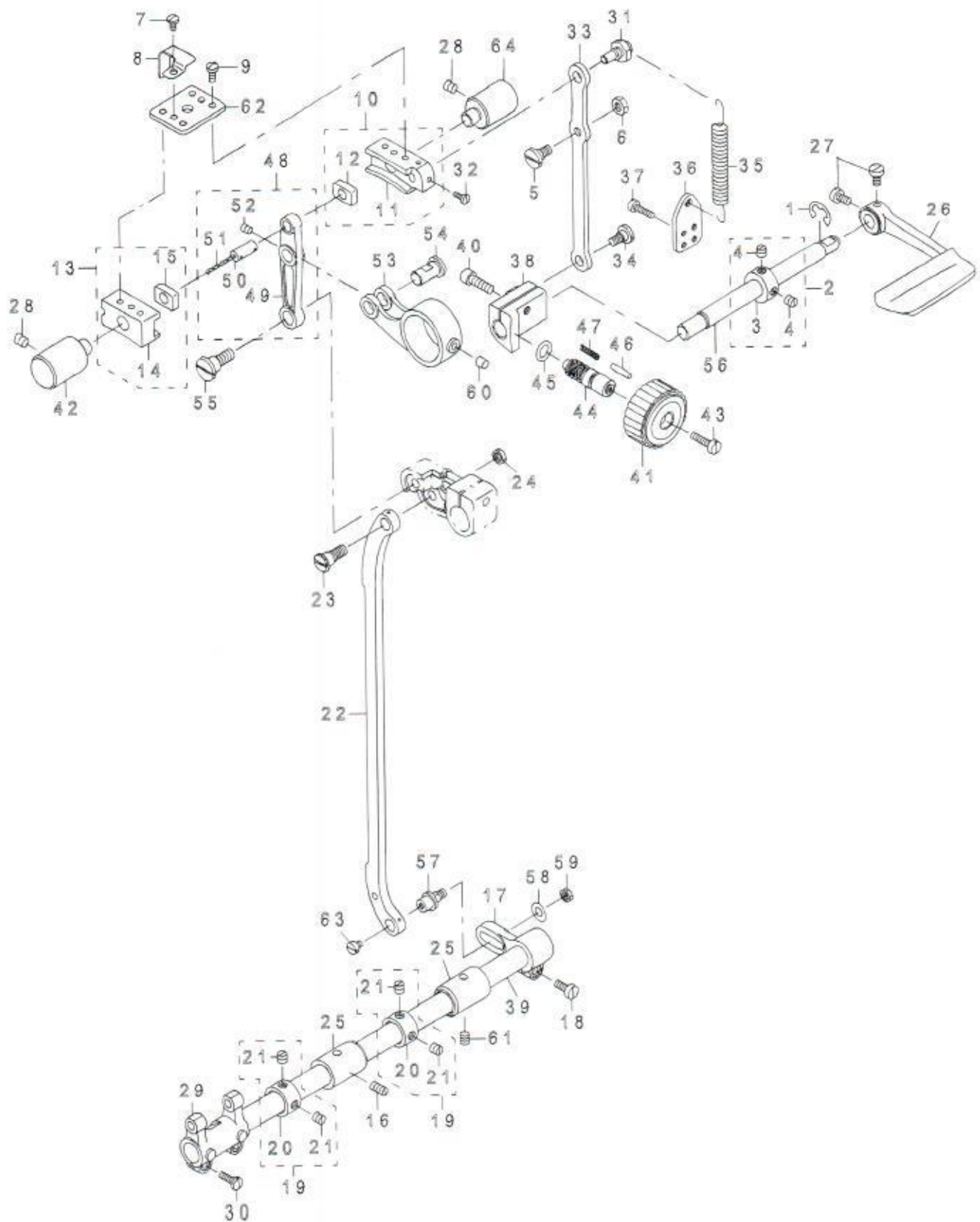
序号	零件号	说明	编码及型号	英文名称	中文名称	数量
1			21340401	UPPER FEED SHAFT	上送料轴	1
2			21340500	UPPER FEED FRONT ARM	上送料前臂	1
3			SS8660612TP	SCREW 1/4-40 L=6	螺钉1/4-40L=6	2
4			40039326	FRONT METAL	送料左轴套	1
5			21378302	FEED SHAFT METAL	送料轴套	1
6			22904155	MAIN SHAFT THRUST COLLAR ASM.	主轴止推紧圈组件	1
7			22904106	MAIN SHAFT THRUST COLLAR	主轴止推紧圈	-1
8			SS8660610TP	SCREW 1/4-40 L=6	螺钉1/4-40L=6	-2
9			SS8150710TP	SCREW 15/64-28 L=7	按钮卡轮支头螺钉	1
10			TA0750704R0	RUBBER PLUG	橡皮塞	1
11			SS7150740SP	SCREW 15/64-28 L=7	螺钉15/64-28L=7	1
12			21048707	HINGE SCREW	压脚交替提升曲柄连杆螺钉	1
13			SS8110520TP	SCREW 11/64-40 L=4.5	螺钉	1
14			21340005	UPPER FEED LINK (B)	压脚交替提升曲柄连杆	1
15			40018340	SCREW	铰链螺钉B	2
16			40018339	SCREW	铰链螺钉D=6.35H=7	1
17			B1414555000	SLIDE BLOCK	滑块	1
18			WP0501046SC	WASHER 5X14X1	垫圈5X13X1	1
19			40033029	TRIANGULAR LEVER ASM.	三角杠杆	1
20			SS7110510SP	SCREW 11/64-40 L=5	螺钉11/64-40 L=7	1
21			B1414555000	SLIDE BLOCK	滑块	1
22			10509701	FELT	油毡	1
23			40018341	WALKING BAR DRIVING LINK	走步压杆驱动连杆	1
24			40033033	WALKING BAR B	走步压杆	1
25			B14670530A0	WALKING BAR ASM.	走步压杆组件	1
26			B1468053000	WALKING BAR SPRING	走步压杆簧	1
27			SS6151780SP	SCREW 15/64-28 L=17.0	螺钉15/64-28L=17.0	1
28			21406509	UPPER FEED GUIDE PLATE	送料导向板	1
29			26225201	ROLLER	滚柱	1
30			SS6151920SP	SCREW 15/64-28 L=19.0	螺钉15/64-28L=19.0	1
31			40033027	UPPER FEED LINK ASM.	上送料连杆组件	1
32			CQ3000000F0	OIL FELT	油毡	-0
33			CQ3000000F0	OIL FELT	油毡	-0
34			21347109	FELT	油毡	-1
35			EA9500B0000	CLIP CV-70S	线卡	-2
36			40033026	UPPER FEED LINK	上送料连杆	-1
37			RE0800000K0	E-SHAPED SNAP RING (8MM)	压脚交替提升曲柄连杆挡圈	1
38			21340302	UPPER FEED REAR ARM (B)	压脚交替提升曲柄	1
39			21451505	PRESSER BAR	压杆	1
40			40039265	PRESSURE BAR HOLDER ASM.	压杆座组件	1
41			40039266	PRESSURE BAR HOLDER C	压紧杆夹头	-1
42			SS7110910TP	SCREW 11/64-40 L=8.5	螺钉11/64-40 L=8.5	-1
43			22907604	PRESSER SPRING REGULATOR NUT	压力调节螺母	1
44			B1502246000	PRESSER SPRING	压簧	1
45			40038705	PRESSURE BAR HOLDER GUIDE	螺钉D=8 H=4.9	1
46			40017276	THREAD RELEASE PLATE COMPL.	松线板	1
47			B1462053000	THREAD RELEASE SPRING	松线簧	1
48			21406103	PRESSER LIFTER LEVER	抬压扳手	1
49			21406608	GUIDE PLATE SPACER	导向板垫	1
50			SM6052002TP	SCREW M5 L=20	压脚交替提升曲柄并紧螺钉	1

5、压脚调节及上送料 (PRESSURE ADJUSTING & UPPER FEED MECHANISM COMPONENTS)



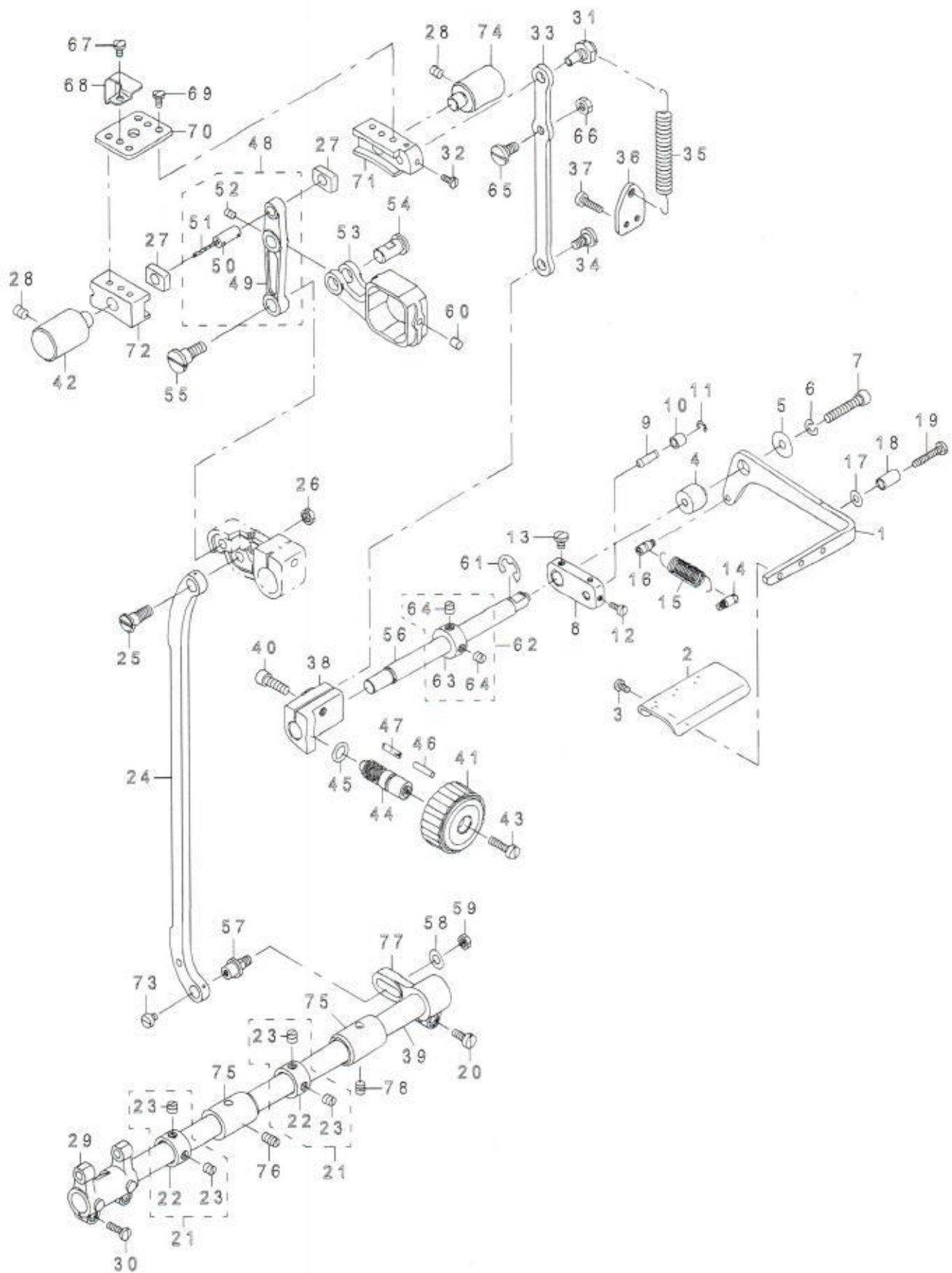
序号	零件号	说明	编码及型号	英文名称	中文名称	数量
51			21006002	ADJUST SPRING B	弹簧	3
52			22907109	PRESSER BAR BUSHING LOWER	压紧杆套	1
53			CQ252000000	OIL WICK	油线	0.02
54			10713808	CONNECTION LINK PIN B	压脚交替提长连杆销	1
55			NS6150430SP	NUT 15/64-28	螺母	1
56			40075553	ECCENTRIC ROD(SET)	压脚交替提升大连杆	1
57			21006507	ADJUST SCREW B	调压小螺杆	1
58			NS6110530SP	NUT 11/64-40	螺母11/64-40	1
59			21006408	ADJUST SCREW A	调压大螺杆	1
60			40072709	SPRING SUPPORT SHAFT ASM.	调压导杆	1
61			PS0300242K0	SPRING PIN 3.0X24	调压导杆A	-1
62			40072708	SPRING SUPPORT SHAFT	调压导杆B	-1
63			10715001	VERTICAL ADJUSTING CAM	压脚交替提升调节凸轮	1
64			10715704	VERTICAL DIAL PIN	压脚交替提升调节盘止动销	1
65			B152652700G	SPRING	压脚交替提升调节盘止动弹片	1
66			SS6110630TP	SCREW 11/64-40 L=6	压脚交替提升调节凸轮螺钉	1
67			21341607	VERTICAL ADJUSTING ARM	压脚交替提升调节曲柄	1
68			10715308	PIN	压脚交替提升调节曲柄销	1
69			SM6051202TP	SCREW M5X0.8 L=12	压脚交替提升调节曲柄螺钉	1
70			21341508	VERTICAL CHANGE BASE SHAFT	压脚交替提升轴	1
71			10718203	FEED SHAFT FRONT METAL	压脚交替提升轴套	1
72			10714202	VERTICAL CHANGE BELT	压脚交替提升变动曲柄	1
73			SM1050801SR	SCREW M5 L=8	上送料弹簧支架螺钉	1
74			21339700	UPPER FEED STOPPER PLATE (B)	上送料止动板B	1
75			SS7111120TP	SCREW	螺钉11/64-40 L=8	2
76			10713501	SPRING HOOK	曲柄拉簧支板	2
77			10716504	VERTICAL SHAFT SPRING	曲柄拉簧	1
78			B3416552000	CONNECTING ROD HINGE SCREW	簧板连接铰接螺栓	2
79			RE0500000K0	E-RING	开口挡圈	2
80			21339809	UPPER FEED DOG SPRING HOOK	上送料限位簧板	1
81			SS7110830SP	SCREW 11/64-40 L=7.5	螺钉11/64-40 L=8.5	1
82			10714509	CONNECTION LINK B	曲柄短连杆	2
83			10714608	CONNECTION LINK B SUPPORT PIN	曲柄短连杆销	2
84			SM8050602TP	SCREW M5 L=6	螺钉11/64-40 L=8	2
85			21337803	FEED ADJUSTING BASE SUPPORT	送料调节座支架	1
86			SS8150710SP	SCREW 15/64-28 L=7	螺钉	1
87			21339601	UPPER FEED STOPPER PLATE (A)	支架板	1
88			SM8050602TP	SCREW M5 L=6	螺钉	2
89			10774305	VERTICAL DIAL	压脚胶替提升调节盘组件	1
90			10715100	VERTICAL DIAL SHAFT BUSHING	压脚调节凸轮轴套	1

6、送料机构 (FEED MECHANISM COMPONENTS) (FOR HY1710-7, HY1760-7)



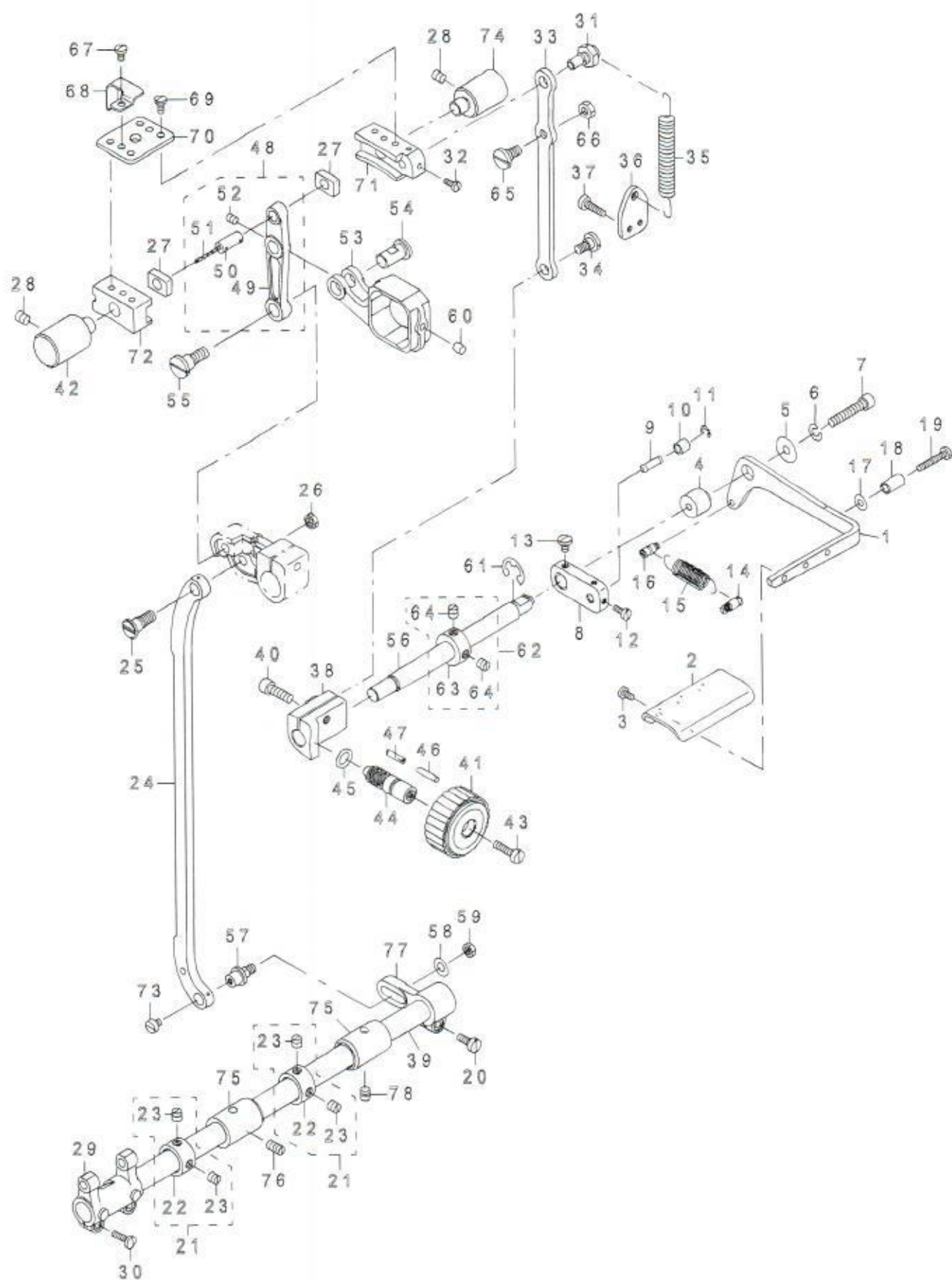
序号	零件号	说明	编码及型号	英文名称	中文名称	数量
1			RE0900000K0	E-RING 9	开口挡圈9	1
2			CS1201010SH	THRUST COLLAR ASM. D=12 W=10	止推紧圈组件D=12 W=10	1
3			CS1201011SH	THRUST COLLAR D=12 W=10	止推紧圈D=12 W=10	-1
4			SS8660610TP	SCREW 1/4-40 L=6	螺钉1/4-40L=6	-2
5			SD0800402TP	HINGE SCREW D=8 H=4	螺钉 D=8 H=4	1
6			NS6150430SP	NUT 15/64-28	螺母	1
7			SS7110710SP	SCREW 11/64-40 L=7	螺钉11/64-40 L=7	1
8			40038712	FELT HOLDER	毛毡座	1
9			SS7110910TP	SCREW 11/64-40 L=8.5	螺钉11/64-40 L=8.5	4
10			40081970	FEED ADJUSTING BASE	送料调节右座组件	1
11			21407200	FEED ADJUSTING BASE	送料调节右座	-1
12			21407309	SQUARE BLOCK	滑块(带圆弧)	-1
13			40081969	FEED ADJUSTING BASE B SET	送料调节左座组件	1
14			40038711	FEED ADJUSTING BASE B	送料调节左座	-1
15			21407309	SQUARE BLOCK	滑块(带圆弧)	-1
16			SS8151150TP	SCREW 15/64-28 L=10.5	螺钉15/64-28L=10.5	1
17			B3025141H00A	CONNECTING ARM	送步轴驱动曲柄	1
18			SS6121210SP	SCREW 3/16-28 L=12	螺钉3/16-28L=15.5	1
19			22904155	MAIN SHAFT THRUST COLLAR ASM.	主轴止推紧圈组件	2
20			22904106	MAIN SHAFT THRUST COLLAR	主轴止推紧圈	-1
21			SS8660610TP	SCREW 1/4-40 L=6	螺钉1/4-40L=6	-2
22			40039307	FEED REGULATOR CONNECTING ROD	针柱连杆	1
23			SD0900701TP	HINGE SCREW D=9 H=7	螺钉D=9 H=7	1
24			NS6680320SP	NUT 9/32-28	螺母 9/32-28	1
25			21378302	FEED SHAFT METAL	送料轴套	2
26			21388004	REVERSE FEED ROCK SHAF	倒缝控制杆	1
27			SS6120930TP	SCREW 3/16-28 L=9	螺钉3/16-28L=9	2
28			SS8150822TP	SCREW 15/64-28 L=8	螺钉15/64-28 L=8	2
29			21364104	FEED ROCKER	送料摇臂	1
30			SS7111410TP	SCREW 11/64-40 L=14	螺钉11/64-40L=14	2
31			21337902	ECCENTRIC PIN	偏心销	1
32			SS7090910TP	SCREW 9/64-40 L=8.5	螺钉	2
33			21337308	FEED ADJUSTING ROD	送料调节连杆	1
34			SD0800402TP	HINGE SCREW D=8 H=4	螺钉 D=8 H=4	1
35			21337605	SPRING	弹簧	1
36			40019926	SPRING HOOK	弹簧钩板	1
37			SS6111610SP	SCREW 11/64-40 L=16	安装座螺钉	2
38			21337209	FEED ADJUSTING A	送料调节块A	1
39			22609408	FEED ROCK SHAFT	送料摇臂轴	1
40			SM6061802TP	SCREW M6 L=18	螺钉M6 L=18	1
41			21336805	FEED DIAL A	送料刻度盘	1
42			21430400	FEED ADJUSTER SUPPORT	送料调节座支架	1
43			SS6121860SP	SCREW 3/16-28 L=18	螺钉3/16-28L=18	1
44			22911804	FEED REGULATOR SCREW	送料调节器螺钉L=54.2	1
45			RO092270200	RUBBER RING	橡胶圈	1
46			22912000	FEED REGULATOR PIN	止动销	1
47			22912109	FEED REGULATOR PIN SPRING	送料调节器销弹簧	1
48			21336656	FEED LINK ASM.	送料连杆组件	1
49			21336607	FEED LINK	送料连杆	-1
50			40009103	CONNECTING FORKED LINK PIN	叉形连杆销	-1
51			CQ202000000	OIL WICK	油线	-0.04
52			SM8050612TP	SCREW M5X6	螺钉	-1
53			21336706	FEED ROD A	送料连杆A	1
54			21338207	FEED LINK PIN	送料连杆销	1
55			SD1000801SH	HINGE SCREW D=10 H=8	螺钉D=10 H=8	1
56			21336300	BACKWARD FEED LEVER SHAFT	反向送料连杆轴	1
57			21378203	FEED ROCK SHAFT HINGE SCREW	送步驱动曲柄连杆铰链螺	1
58			WP0650876SD	WASHER 6.5X13X0.8	垫圈	1
59			NS6150310SP	NUT 15/64-28	螺帽15/64-28	1
60			21387402	FELT	油毡	1
61			SS8150710TP	SCREW 15/64-28 L=7	按钮卡轮支头螺钉	1
62			21407408	FITTING PLATE	送料调节座连接板	1
63			SS6110520TP	SCREW 11/64-40 L=4.5	螺丝	1
64			21337803	FEED ADJUSTING BASE SUPPORT	送料调节座支架	1

7、送料机构 (FEED MECHANISM COMPONENTS) (FOR HY1710L, HY1760L)



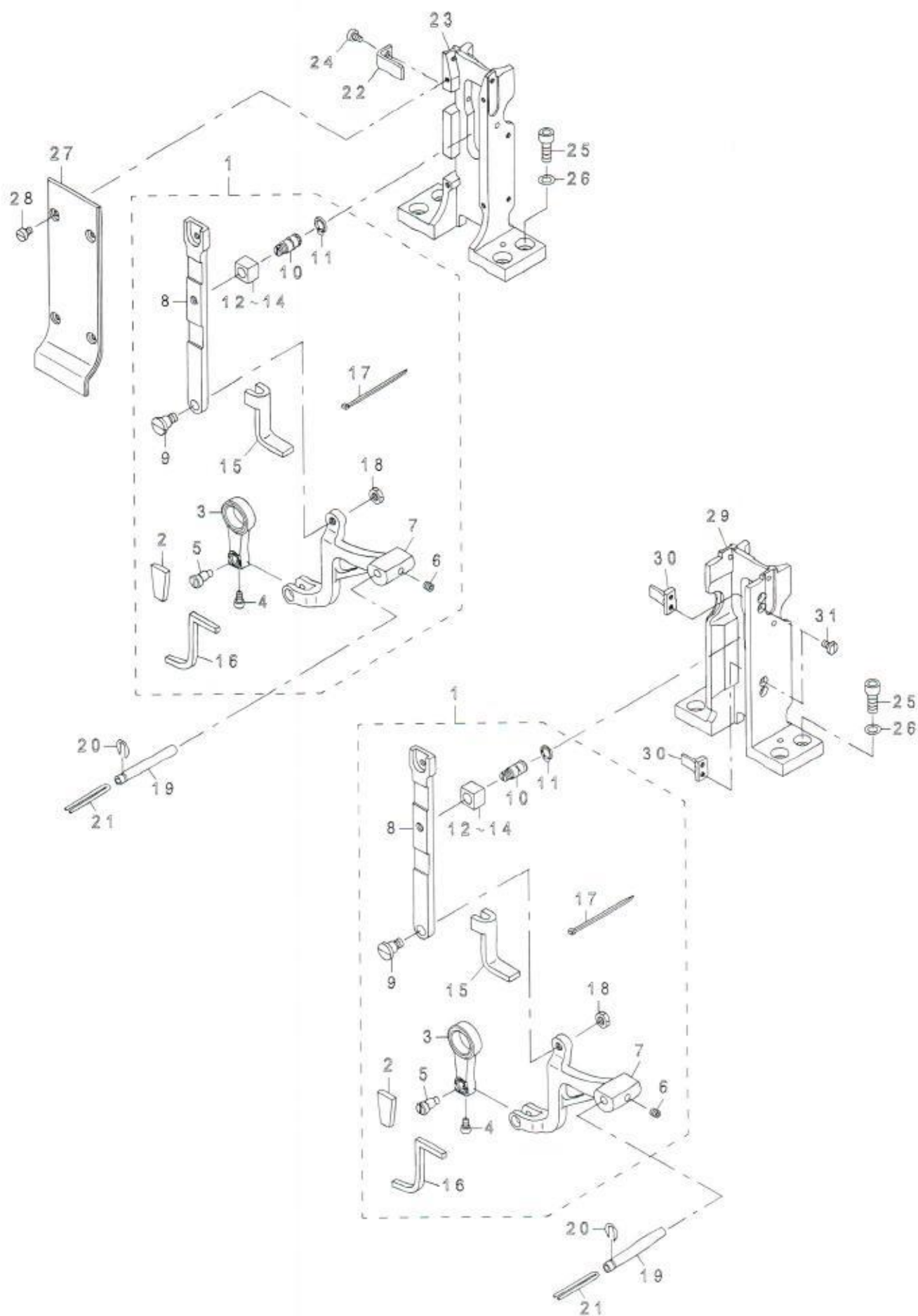
序号	零件号	说明	编码及型号	英文名称	中文名称	数量
1			21337001	BACKWARD FEED LEVER B	倒缝手柄杆	1
2			21337100	BACKWARD FEED PRESSER PLATE	倒缝手柄板	1
3			SS7110710SP	SCREW 11/64-40 L=7	螺钉11/64-40 L=7	3
4			21352901	BACKWARD FEED LINK FULCRUM	垫圈	1
5			WP0612056SD	WASHER 6. 1X18. 5X2	平垫圈	1
6			WS0610002KP	SPRING WASHER	连接器	1
7			SS6153012TP	SCREW 15/64-28	螺钉	1
8			40039454	CHANGE BASE	倒缝扳手传动柄	1
9			D2461481C00	CONNECTING PIN	倒缝扳手传动柄销	1
10			26023200	FEED CAM ROLL	滚子	1
11			RE0400000K0	E-RING 4	卡簧	1
12			SS6090910SP	SCREW 9/64-40 L=9	螺钉	2
13			SS7120710SP	SCREW 3/16-28 L=7	螺钉	2
14			10120004	SPRING SUSPENSION	拉簧螺钉	1
15			13789201	TENSION SPRING	拉簧	1
16			11272614	FEED SPRING HOOK	拉簧螺丝	1
17			WP0502616SD	WASHER	平垫圈	1
18			22952501	BACK LEVER STOPPER	胶套	1
19			SS7112420SP	SCREW 11/64-40 L=24	螺钉	1
20			SS6121210SP	SCREW 3/16-28 L=12	螺钉	1
21			22904155	MAIN SHAFT THRUST COLLAR ASM.	主轴止推紧圈组件	2
22			22904106	FEED LEVER SUPPORT	主轴止推紧圈	-1
23			SS8660610TP	FEED LEVER BASE	螺钉1/4-40L=6	-2
24			40039307	SCREW 9/64-40 L=6. 8	针柱连杆	1
25			SD0900701TP	HINGE SCREW D=9 H=7	螺钉D=9 H=7	1
26			NS6680320SP	WASHER 6. 5X11X1	螺母 9/32-28	1
27			21407309	FEED DRIVING SLIDE BLOCK	滑块(带圆弧)	2
28			SS8150822TP	SCREW 15/64-28 L=8	螺钉15/64-28 L=8	2
29			21364104	FEED ROCKER	送料摇臂	1
30			SS7111410TP	SCREW 11/64-40 L=14	螺钉11/64-40L=14	2
31			21337902	ECCENTRIC PIN	偏心销	1
32			SS7090910TP	SCREW 9/64-40 L=8. 5	螺钉	2
33			21337308	FEED ADJUSTING ROD	送料调节连杆	1
34			SD0800402TP	HINGE SCREW D=8 H=4	螺钉 D=8 H=4	1
35			40038901	SPRING B	弹簧	1
36			21338009	SPRING HOOK	弹簧钩板	1
37			SS6111610SP	SCREW 11/64-40 L=16	安装座螺钉	2
38			23056104	FEED REGULATOR (P=12)	送料调节块A	1
39			22609408	FEED ROCK SHAFT	送料摇臂轴	1
40			SM6061802TP	SCREW M6 L=18	螺钉M6 L=18	1
41			23056203	FEED DIAL (C)	送料刻度盘	1
42			21430400	FEED ADJUSTER SUPPORT	送料调节座支架	1
43			SS6121860SP	SCREW 3/16-28 L=18	螺钉3/16-28L=18	1
44			22911804	FEED REGULATOR SCREW	送料调节器螺钉L=54. 2	1
45			RO092270200	RUBBER RING	橡胶圈	1
46			22912000	FEED REGULATOR PIN	止动销	1
47			22912109	FEED REGULATOR PIN SPRING	送料调节器销弹簧	1
48			21336656	FEED LINK ASM.	送料连杆组件	1
49			21336607	FEED LINK	送料连杆	-1
50			40009103	CONNECTING FORKED LINK PIN	叉形连杆销	-1

7、送料机构 (FEED MECHANISM COMPONENTS) (FOR HY1710L, HY1760L)



序号	零件号	说明	编码及型号	英文名称	中文名称	数量
51			CQ202000000	OIL WICK	油线	-0
52			SM8050612TP	SCREW M5X6	螺钉	-1
53			40011400	FEED ROD (C)	送料连杆A(粗线用)	1
54			21338207	FEED LINK PIN	送料连杆销	1
55			SD1000801SH	HINGE SCREW D=10 H=8	螺钉D=10 H=8	1
56			21336409	BACKWARD FEED LEVER SHAFT B	反向送料连杆轴	1
57			21378203	FEED ROCK SHAFT HINGE SCREW	送步驱动曲柄连杆铰链	1
58			WP0650876SD	WASHER 6. 5X13X0. 8	垫圈	1
59			NS6150310SP	NUT 15/64-28	螺帽15/64-28	1
60			21387402	FELT	油毡	1
61			RE0900000K0	E-RING 9	开口挡圈9	1
62			CS1201010SH	THRUST COLLAR ASM. D=12 W=10	止推紧圈组件D=12 W=10	1
63			CS1201011SH	THRUST COLLAR D=12 W=10	止推紧圈D=12 W=10	-1
64			SS8660610TP	SCREW 1/4-40 L=6	螺钉1/4-40L=6	-2
65			SD0800402TP	HINGE SCREW D=8 H=4	螺钉 D=8 H=4	1
66			NS6150430SP	NUT 15/64-28	螺母	1
67			SS7110710SP	SCREW 11/64-40 L=7	螺钉11/64-40 L=7	1
68			40038712	FELT HOLDER	毛毡座	1
69			SS7110910TP	SCREW 11/64-40 L=8. 5	螺钉11/64-40 L=8. 5	4
70			21407408	FITTING PLATE	送料调节座连接板	1
71			21407200	FEED ADJUSTING BASE	送料调节右座	1
72			40038711	FEED ADJUSTING BASE B	送料调节左座	1
73			SS6110520TP	SCREW 11/64-40 L=4. 5	螺丝	1
74			21337803	FEED ADJUSTING BASE SUPPORT	送料调节座支架	1
75			21378302	FEED SHAFT METAL	送料轴套	2
76			SS8151150TP	SCREW 15/64-28 L=10. 5	螺钉15/64-28L=10. 5	1
77			B3025141H00A	CONNECTING ARM	送步轴驱动曲柄	1
78			SS8150710TP	SCREW 15/64-28 L=7	按钮卡轮支头螺钉	1

8、下送料装置 (FEED BASE COMPONENTS)



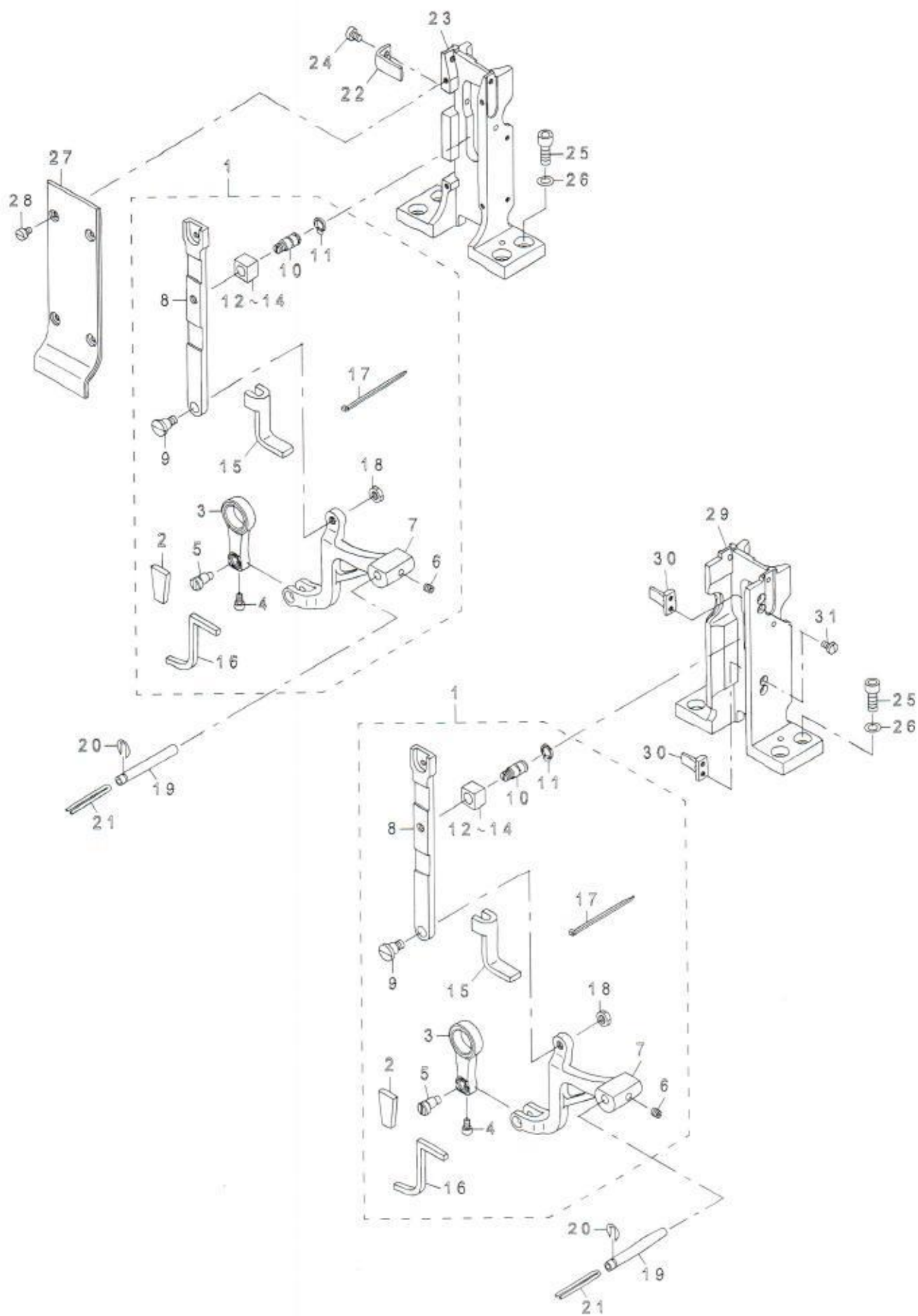
序号	零件号	说明	编码及型号	英文名称	中文名称	数量
1			40038859	FEED BAR ASM.	牙架组件	1
2			40038968	FELT (D)	油毡	-1
3			23200801	VERTICAL FEED LINK	牙架连杆	-1
4			SS6090612TP	SCREW 9/64-40 L=6	螺钉	-1
5			23200900	VERTICAL FEED LINK SHAFT	送布牙高低调节偏心轴	-1
6			SM8050502TP	SCREW M5 L=5	螺钉 M5L=5	-1
7			23056005	FEED BASE	牙架	-1
8			40039257	FEED LEVER	送布牙固定连杆	-1
9			40039015	FEED LEVER SCREW	送布牙连杆螺丝	-1
10			23009509	FEED LEVER SHAFT	滑块轴螺丝	-1
11			RC0740811KP	C-RING	卡簧	-1
12	#01		13516703	SLIDE BLOCK B	滑块	-1
13	#01		13516604	SLIDE BLOCK A	滑块	-1
14	#01		13519202	SLIDE BLOCK	滑块	-1
15			40038709	FELT A	油毡	-1
16			40038967	FELT (C)	油毡	-1
17			EA9500B0100	CABLE BAND	线卡	-6
18			NS6150310SP	NUT 15/64-28	螺帽15/64-28	-1
19			BI604012000A	FEED BAR SHAFT	送料座轴	1
20			RE0500711KP	SNAP RING 5	开口挡圈5	1
21			CQ202000000	OIL WICK	油线	0.14
22	#02		23036304	FEED LEVER SUPPORT	挡片	2
23	#02		40038981	FEED LEVER BASE	中座(单针)	1
24	#02		SS6090630TP	SCREW 9/64-40 L=6	螺钉	2
25			SM6061602TP	SCREW M6 L=16	气缸安装螺钉	4
26			WP0612076SP	WASHER 6.1X11X2	垫片	4
27	#02		40017263	FEED LEVER BASE COVER	侧盖板	1
28	#02		SS6090630SP	SCREW 9/64-40 L=6	针板螺钉(前)	4
29	#03		40038707	FEED LEVER BASE	中座(双针)	1
30	#03		40017317	FEED LEVER SUPPORT	定位块	2
31	#03		SS7090710SP	SCREW 9/64-40 L=6.8	螺钉	4

#01 SELECTIVE PARTS(选配部件)

#02 FOR 1710-7

#03 FOR 1760-7/ 1760L

8、下送料装置 (FEED BASE COMPONENTS)

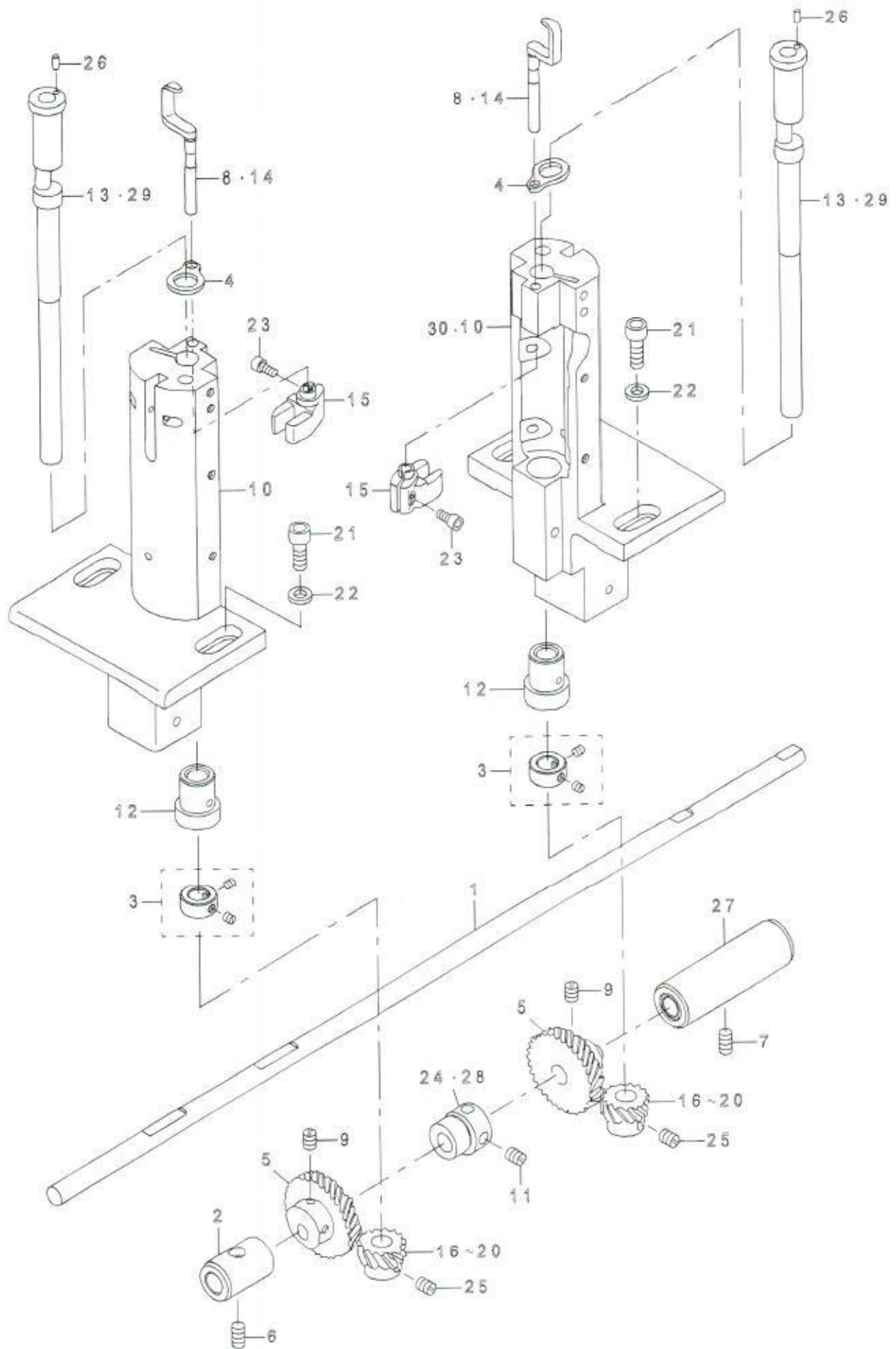


序号	零件号	说明	编码及型号	英文名称	中文名称	数量
1			40038695	HOOK DRIVING SHAFT	下轴	1
2			21427307	LOWER SHAFT METAL REAR	下轴后套	1
3			CS095081ASH	THRUST COLLAR ASM. D=9.53 W=8	旋梭轴紧圈组件	1
4			23004708	HOOK SHAFT SPACER	双孔垫	1
5			B1816512000	HOOK DRIVING SHAFT LARGE	螺旋大齿轮	1
6			SS8151150TP	SCREW 15/64-28 L=10.5	螺钉15/64-28L=10.5	1
7			SS8151150TP	SCREW 15/64-28 L=10.5	螺钉15/64-28L=10.5	1
8			40038697	BUSHING INTERMEDIATE ASM.	梭架右套组件	1
9			SS8660810TP	SCREW 1/4-40 L=8	螺钉1/4-40 L=8	2
10		#02	40038867	HOOK SHAFT BASE	旋梭座	1
11			SS8150710TP	SCREW 15/64-28 L=7	按钮卡轮支头螺钉	2
12			21334701	HOOK SHAFT LOWER METAL	旋梭架下套	1
13		#02	23004609	HOOK SHAFT	旋梭轴	1
14			40039822	OPENER	分线勾杆	1
15			23004906	OPENER GUIDE ARM	拨叉	1
16		#01	10112001	HOOK SHAFT GEAR A	螺旋小齿轮	1
17		#01	10112100	HOOK SHAFT GEAR B	螺旋小齿轮B	1
18		#01	10112209	HOOK SHAFT GEAR C	螺旋小齿轮C	1
19		#01	10111904	HOOK SHAFT GEAR	螺旋小齿轮	1
20		#01	40029634	HOOK SHAFT SCREW GEAR	螺旋小齿轮	1
21			SM6061602TP	SCREW M6 L=16	气缸安装螺钉	2
22			WP0612076SP	WASHER 6.1X11X2	垫片	2
23			SM6040802TP	SCREW M4X0.7 L=8	剪线电磁铁螺钉	1
24			23024409	VERTICAL FEED CAM (1.5)	牙架升降凸轮	1
25			SS8660530TP	SCREW 1/4-40 L=4.5	按钮卡轮支头螺钉	3
26			PH0300062C0	PIN	销	1
27		#03	40038724	HOOK SHAFT BASE	旋梭座(剪线)	1
28		#03	40038902	HOOK SHAFT (60L)	旋梭轴	1

#01 SELECTIVE PARTS (选配部件)#02 FOR HY1710L

#03 FOR HY1710-7

10、下轴装置 (HOOK SHAFT & LOWER SHAFT COMPONENTS) (FOR HY1760-7, HY1760L)



序号	零件号	说明	编码及型号	英文名称	中文名称	数量
1			40038695	HOOK DRIVING SHAFT	下轴	1
2			21427307	LOWER SHAFT METAL REAR	下轴后套	1
3			CS095081ASH	THRUST COLLAR ASM. D=9.53 W=8	旋梭轴紧圈组件	2
4			23004708	HOOK SHAFT SPACER	双孔垫	2
5			B1816512000	HOOK DRIVING SHAFT LARGE	螺旋大齿轮	2
6			SS8151150TP	SCREW 15/64-28 L=10.5	螺钉15/64-28L=10.5	1
7			SS8151150TP	SCREW 15/64-28 L=10.5	螺钉15/64-28L=10.5	1
8	#02		40039822	OPENER	分线勾杆	2
9			SS8660810TP	SCREW 1/4-40 L=8	螺钉1/4-40 L=8	4
10			40038867	HOOK SHAFT BASE	旋梭座	2
11			SS8150710TP	SCREW 15/64-28 L=7	按钮卡轮支头螺钉	2
12			21334701	HOOK SHAFT LOWER METAL	旋梭架下套	2
13	#02		23004609	HOOK SHAFT	旋梭轴	2
14	#03		40038829	OPENER	分线勾杆	2
15			23004906	OPENER GUIDE ARM	拨叉	2
16	#01		10112001	HOOK SHAFT GEAR A	螺旋小齿轮	2
17	#01		10112100	HOOK SHAFT GEAR B	螺旋小齿轮B	2
18	#01		10112209	HOOK SHAFT GEAR C	螺旋小齿轮C	2
19	#01		10111904	HOOK SHAFT GEAR	螺旋小齿轮	2
20	#01		40029634	HOOK SHAFT SCREW GEAR	螺旋小齿轮	2
21			SM6061602TP	SCREW M6 L=16	气缸安装螺钉	4
22			WP0612076SP	WASHER 6.1X11X2	垫片	4
23			SM6040802TP	SCREW M4X0.7 L=8	剪线电磁铁螺钉	2
24	#02		23024409	VERTICAL FEED CAM (1.5)	牙架升降凸轮	1
25			SS8660530TP	SCREW 1/4-40 L=4.5	按钮卡轮支头螺钉	6
26			PH0300062C0	PIN	销	2
27			40038697	BUSHING INTERMEDIATE ASM.	梭架右套组件	1
28	#03		40068166	VERTICAL FEED CAD(2.4)	牙架升降凸轮	1
29	#03		40038902	HOOK SHAFT (60L)	旋梭轴	2
30	#04		40038724	HOOK SHAFT BASE	旋梭座(剪线)	2

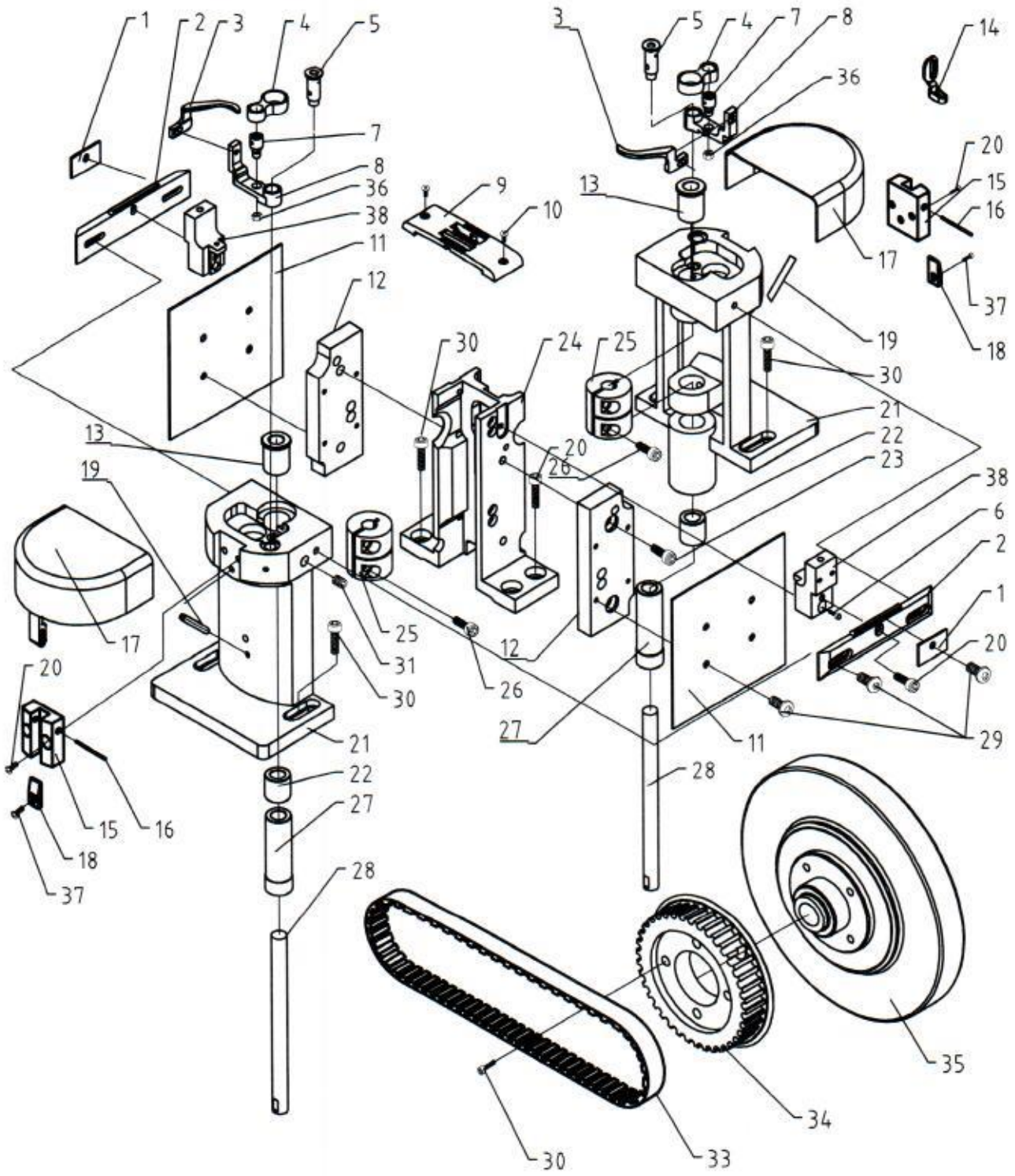
#01 SELECTIVE PARTS (选配部件)

#02 FOR 1760L

#03 FOR 1760L

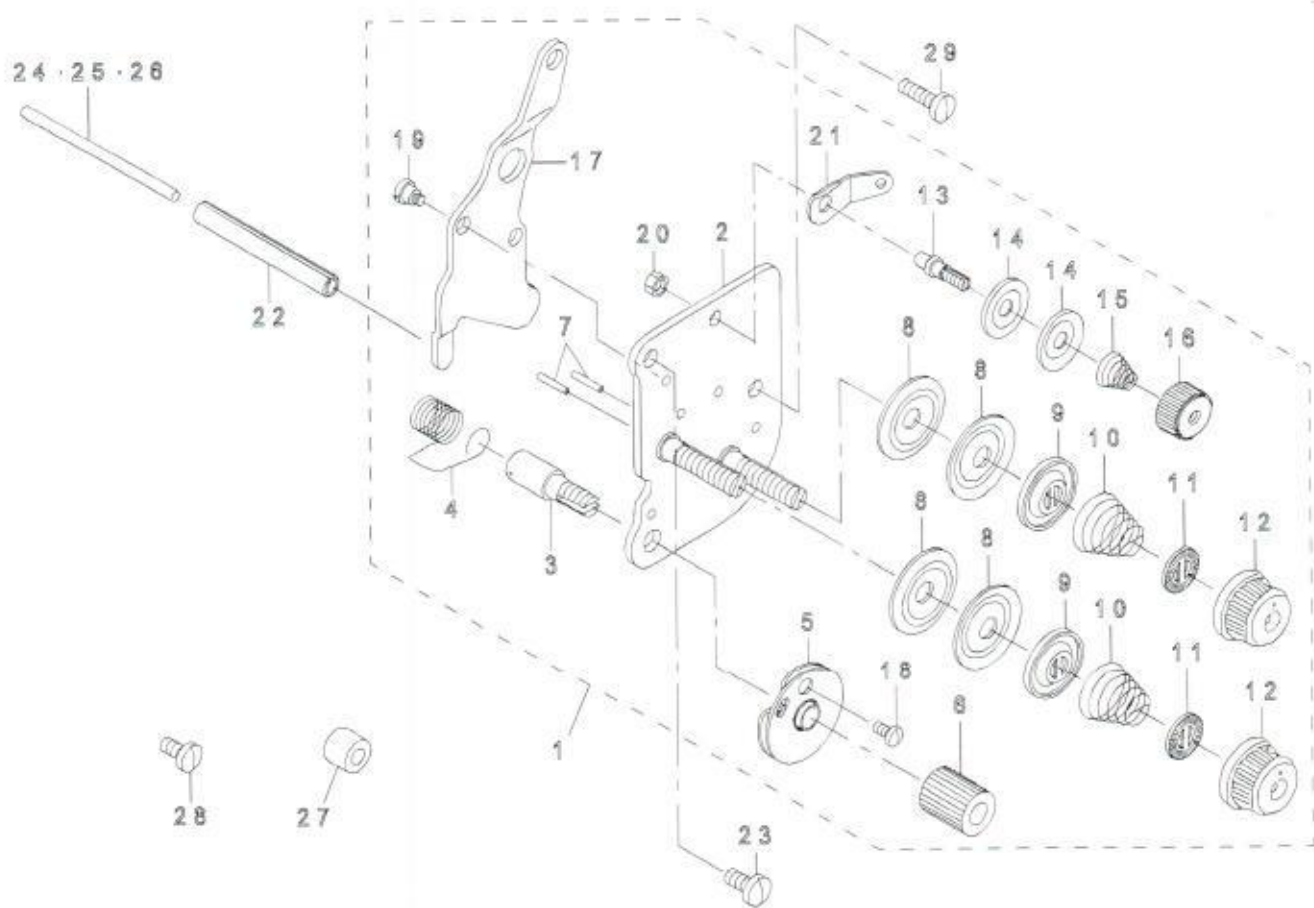
#04 FOR 1760-7

10A. 下轴装置 (HOOK SHAFT & LOWER SHAFT COMPONENTS) (FOR1760XL)



序号	零件号	说明 编码及型号	英文名称	中文名称	数量
1	031052			针板盖板	2
2	031051			针板座 (1760XL)	2
3	031037			旋梭拨线钩	2
4	031036			支架连杆	2
5	031032			拨线钩支架轴	2
6	031054			平垫	2
7	031034			定位销	2
8	031033			拨线钩支架	2
9	1760XLE10D			针板	1
10	010131			螺钉	2
11	031050			旋梭台盖板	2
12	031048			垫块	2
13	031047			旋梭轴套 (上)	2
14	010122B			过线钩	1
15	031039			盖座	2
16	031040			旋梭盖销	2
17	031042			旋梭盖	2
18	030146			垫铁	2
19	031053			铜管	2
20	010123			螺钉	8
21	031031			旋梭座 (XL)	2
22	031046			旋梭轴套 (中)	2
23	LS5A10			圆柱头内六角螺丝	4
24	031049			中间座 (1760XL)	1
25	031043			联轴器	2
26	LS5A12			圆柱头内六角螺丝	4
27	031045			旋梭轴套 (下)	2
28	031044			连接轴	2
29	LS4C8			螺钉	8
30	LS5A16			圆柱头内六角螺丝	8
31	LS5I5			内六角紧定螺丝	2
32	030275			马达同步轮	1
33	030276			同步带	1
34	030274			手轮同步轮	1
35	030277			手轮	1
36	010435			螺母	2
37	010560			螺丝	2
38	031054			针板座连接块	2

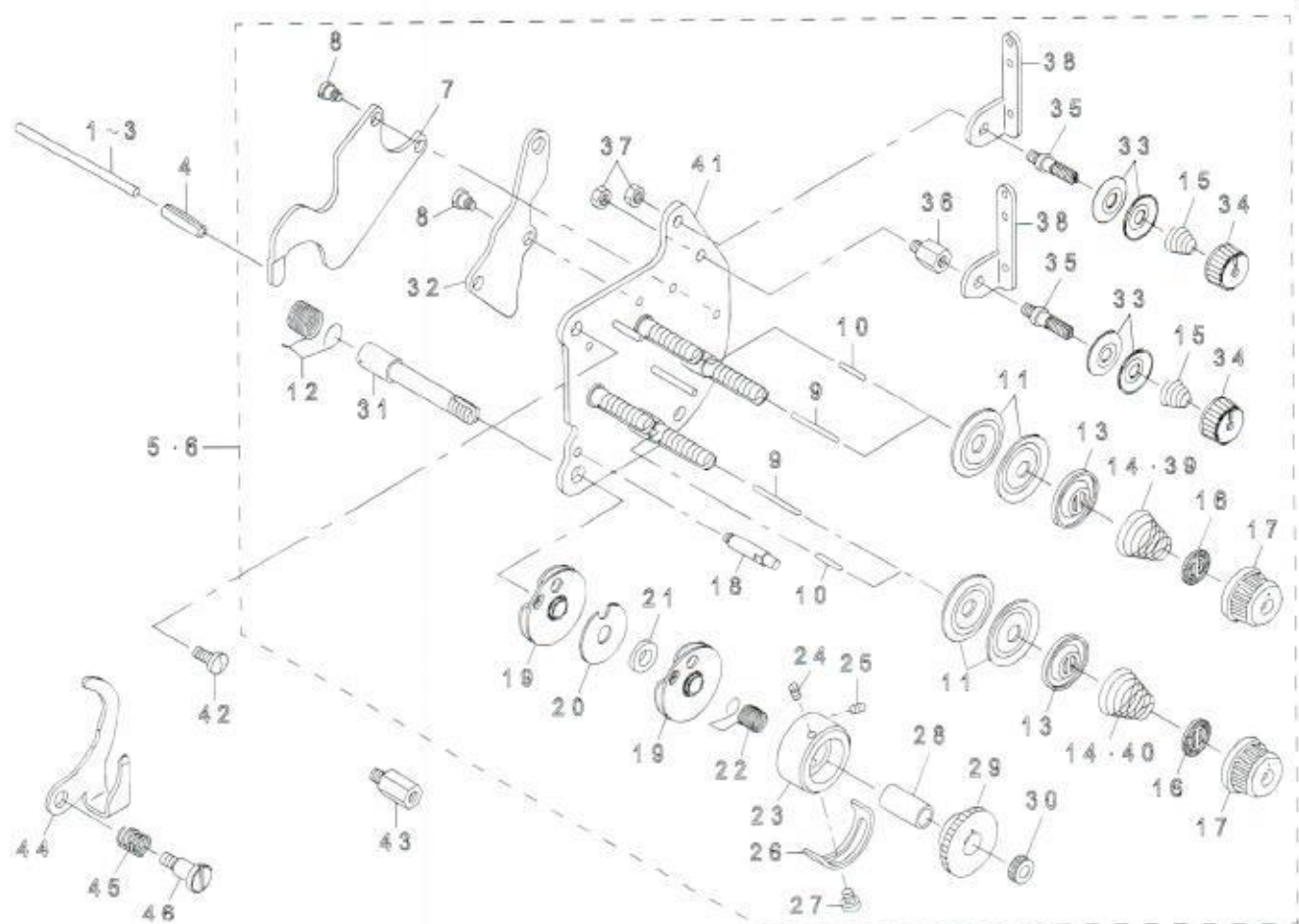
11、夹线器 (THREAD TENSION COMPONENTS) (FOR HY1710-7, HY1710L)



序号	零件号	说明	编码及型号	英文名称	中文名称	数量
1			40039837	THREAD TENSION ASM.	夹线器组件	1
2			21441050	TENSION POST COMPL.	夹线器座	-1
3			10320109	SCREW STUD	螺钉	-1
4			B3128051000	THREAD TAKE-UP SPRING A	挑线簧	-1
5			B31370510A0	TAKE-UP SPRING GUIDE DISC ASM	挑线簧过线盘组件	-1
6			10320208	THREAD TENSION STUD NUT	夹线螺母	-1
7			22618201	TENSION RELEASE PIN A	松线销(短)	-2
8			B3126012000	THREAD TENSION DISK	夹线板	-4
9			22617906	THREAD TENSION DISK PRESSER	夹线板压板	-2
10			B3129526000	TENSION SPRING (1.2)	夹线簧	-2
11			B3120125000	ROTATING STOPPER	夹线制动板	-2
12			11956802	THREAD TENSION KNOB BLUE	夹线螺母	-2
13			10124204	THREAD TENSION POST A	短过线桩	-1
14			10741106	FIRST THREAD TENSION PLATE	过线夹线板	-2
15			11045101	THREAD TENSION SPRING	过线夹线簧	-1
16			11072402	THREAD TENSION NUT	过线调节螺母	-1
17			21441100	TENSION RELEASE PLATE	挺线板	-1
18			SS4080610SP	SCREW 1/8-44 L=6.4	螺钉	-1
19			SD0470281SP	HINGE SCREW D=4.7 H=2.8	挺线板螺钉	-2
20			NS6110310SP	NUT 11/64-40	过线桩螺母	-1
21			D3162555B00	THREAD GUIDE	过线板	-1
22			PS0600502KP	SPRING PIN	挺线钉套管	1
23			SS7110910TP	SCREW 11/64-40 L=8.5	固定螺钉	1
24		#01	21348206	TENSION RELEASE BAR	挺线钉	1
25		#01	10321107	TENSION RELEASE BAR	挺线钉	1
26		#01	23006406	TENSION RELEASE BAR	挺线钉	1
27			11315108	COLLAR	挺线钉	1
28			SS7110830SP	SCREW 11/64-40 L=7.5	螺钉11/64-40 L=8.5	1
29			SS7111410TP	SCREW 11/64-40 L=14	螺钉11/64-40L=14	1

#01 SELECTIVE PARTS (选配部件)

12、夹线器 (THREAD TENSION COMPONENTS) (FOR HY1760-7, HY1760L)



序号	零件号	说明	编码及型号	英文名称	中文名称	数量
1	#01		23006406	TENSION RELEASE BAR	挺线钉	1
2	#01		21348206	TENSION RELEASE BAR	挺线钉	1
3	#01		10321107	TENSION RELEASE BAR	挺线钉	1
4			PS0600502KP	SPRING PIN	挺线钉套管	1
5	#02		40039263	THREAD TENSION ASM.	夹线器	1
6	#03		40039264	THREAD TENSION ASM. (60L)	夹线器	1
7			40017283	TENSION RELEASE LEVER A	松线板	-1
8			SD0470281SP	HINGE SCREW D=4.7 H=2.8	挺线板螺钉	-4
9			40017282	TENSION RELEASE PIN B	松线钉	-2
10			22618201	TENSION RELEASE PIN A	松线钉	-2
11			B3126012000	THREAD TENSION DISK	夹线板	-8
12			B3128051000	THREAD TAKE-UP SPRING	左挑线簧	-1
13			22617906	THREAD TENSION DISK PRESSER	夹线板压板	-4
14	#02		B3129526000	TENSION SPRING (1.2)	夹线簧	-4
15			11045101	THREAD TENSION SPRING	小夹线簧	-2
16			B3120125000	ROTATING STOPPER	夹线制动板	-4
17			11956802	THREAD TENSION KNOB BLUE	夹线螺帽	-4
18			B3143527000	TAKE-UP SPRING GUIDE STUD	定位桩	-1
19			B31375270A0	TAKE-UP SPRING GUIDE ASM.	过线板组件	-2
20			B3142527000	TAKE-UP SPRING GUIDE PLATE	挑线簧隔板	-1
21			B3139527000	COLLAR	挑线簧套	-1
22			B3128527000	THREAD TAKE-UP SPRING B	右挑线簧	-1
23			22617609	THREAD TENSION POST	限位板套	-1
24			22618904	SET SCREW	旋钮支紧螺钉	-1
25			22618904	SET SCREW	旋钮支紧螺钉	-1
26			B3138527000	ADJUSTING PLATE B	右挑线簧限位板	-1
27			SS7090520SP	SCREW 9/64-40 L=4.5	挑线簧限位板螺钉	-1
28			B3141527000	PRESSER COLLAR	挑线簧套	-1
29			B3125527000	TAKE-UP SPRING GUIDE	旋钮	-1
30			B3125012000	THREAD TENSION NUT	夹紧螺母	-1
31			10124501	THREAD TAKE-UP SPRING STUD	夹线螺钉3	-1
32			40017284	TENSION RELEASE LEVER B	自动松线板	-1
33			10741106	FIRST THREAD TENSION PLATE	小夹线板	-4
34			11072402	THREAD TENSION NUT	过线调节螺母	-2
35			10124204	THREAD TENSION POST A	短过线桩	-2
36			40017279	SPACER	连接螺钉	-1
37			NS6110310SP	NUT 11/64-40	过线桩螺母	-2
38			10703205	FIRST THREAD TENSION GUIDE	过线弯板	-2
39	#03		B3129053000	TENSION SPRING	夹线簧	-2
40	#03		21059100	THREAD TENSION SPRING	夹线簧	-2
41			40017280	THREAD TENSION BASE COMPL.	夹线器座	-1
42			SS7110910TP	SCREW 11/64-40 L=7	固定螺钉	2
43			40038752	THREAD TENSION STUD	夹线器座连接螺钉	1
44	#04		40040559	TENSION RELEASE PLATE	过线护板	1
45	#04		40040558	SPRING	弹簧	1
46	#04		SD0640851SP	STEP-SCREW	螺钉	1

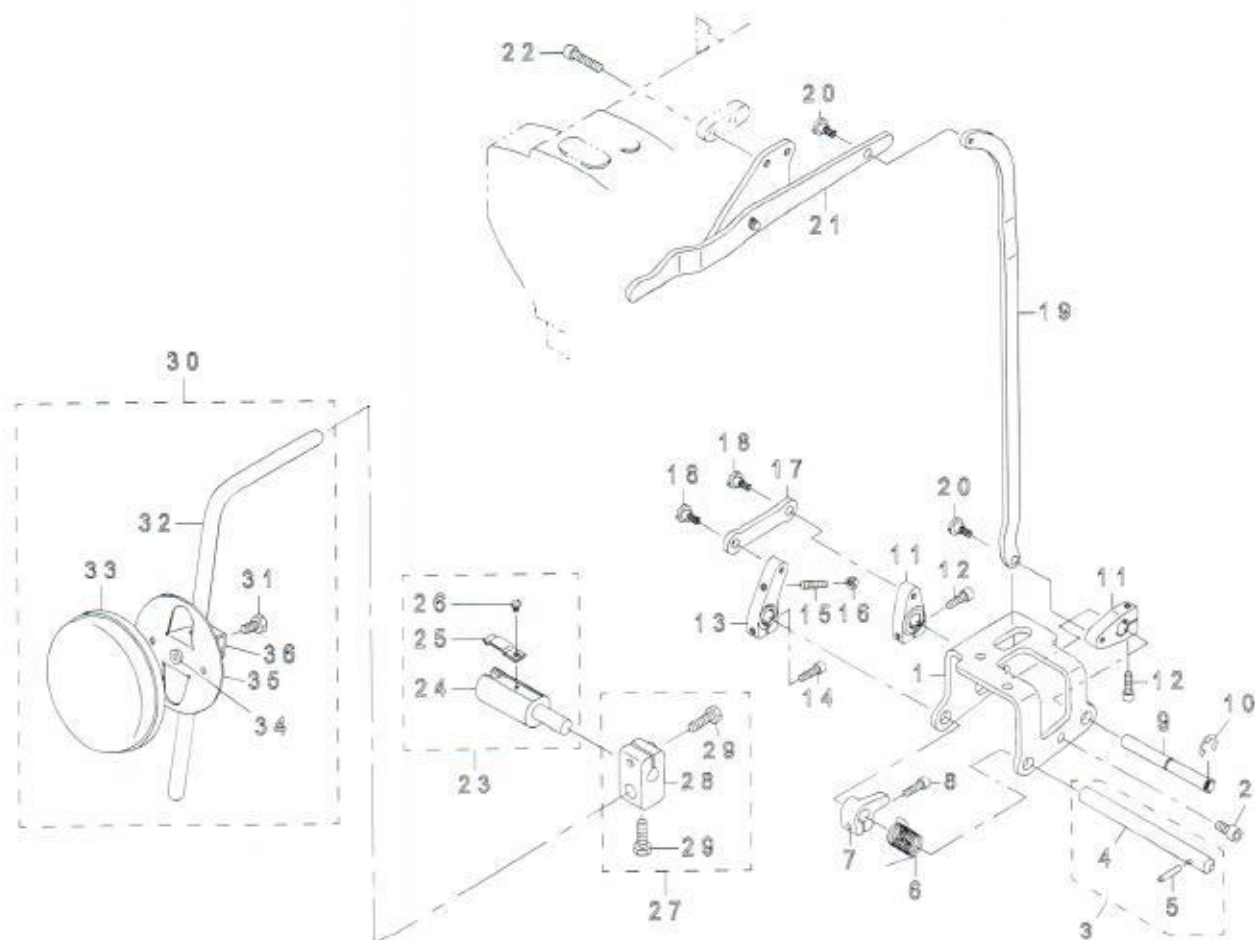
#01 SELECTIVE PARTS (选配部件)

#02 FOR HY1760-7

#03 FOR HY1760L

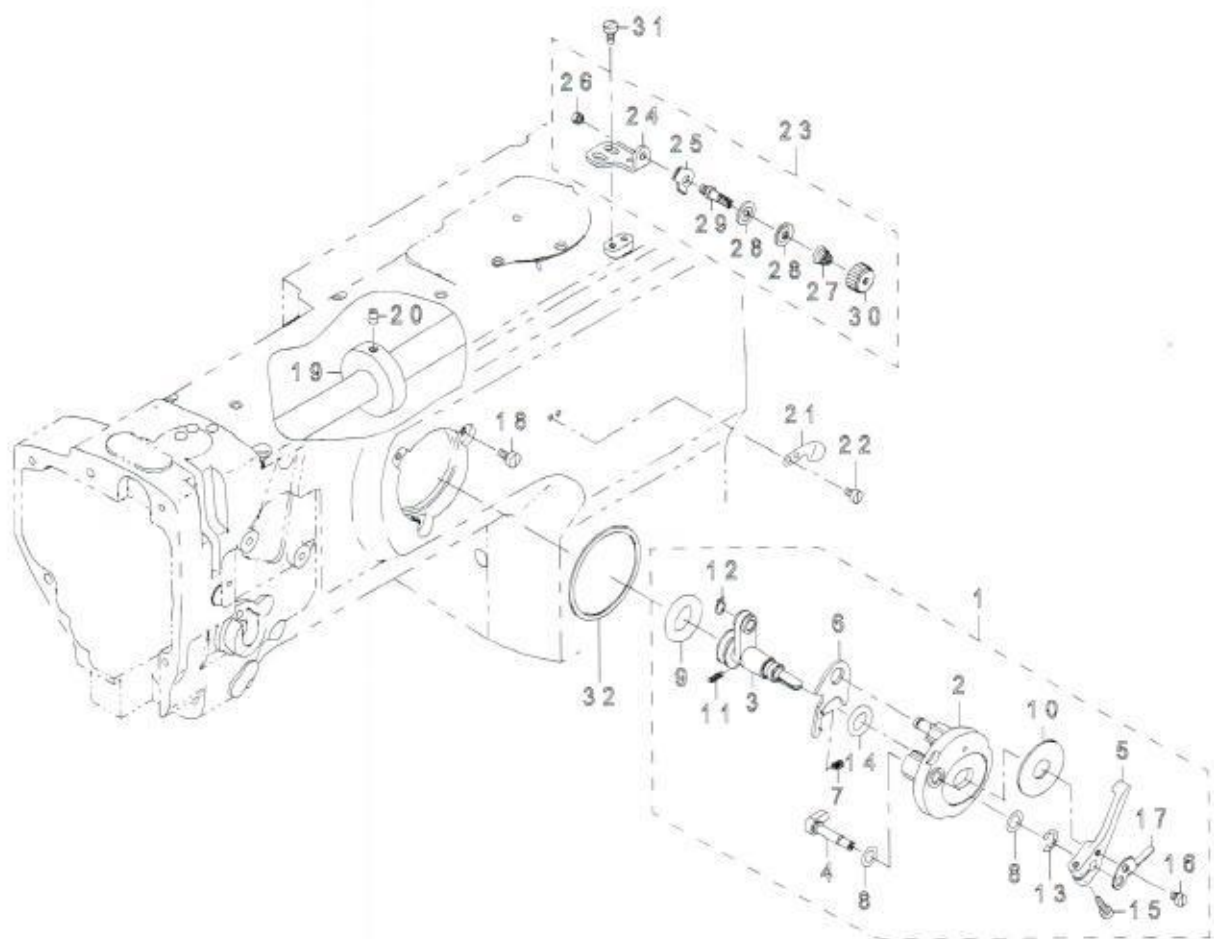
#04 OPTIONAL PARTS (FOR HY1760-7)

13、膝提组件 (KNEE LIFTING COMPONENTS)



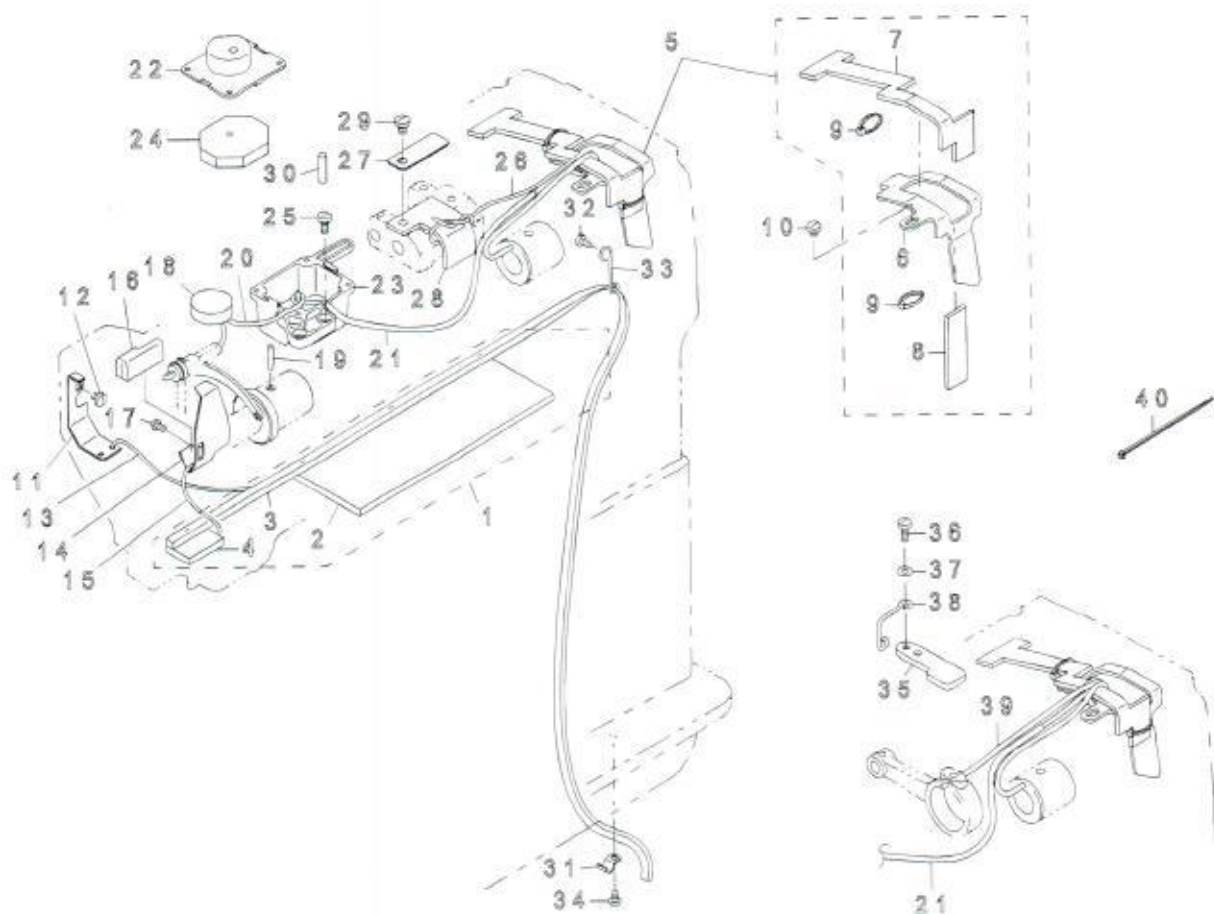
序号	零件号	说明	编码及型号	英文名称	中文名称	数量
1			21343207	KNEE LIFTER SHAFT BASIS	膝控提升上架	1
2			SM6061202TP	SCREW M6 L=12	膝控提升架固定螺钉	3
3			21342555	KNEE LIFTER SHAFT A ASM.	膝控提升轴组件	1
4			21342506	KNEE LIFTER SHAFT A	膝控提升轴A	-1
5			21342605	KNEE LIFTER SHAFT PIN	膝提轴销	-1
6			21343702	KNEE LIFTER SHAFT A SPRING	膝控弹簧	1
7			21343801	KNEE LIFTER SPRING RACK	膝控弹簧架	1
8			SM6051602TP	SCREW M5X0.8 L=16	螺钉M5X0.8 L=16	1
9			21342704	KNEE LIFTER SHAFT B	膝控提升上轴B	1
10			RE0800000K0	E-SHAPED SNAP RING (8MM)	压脚交替提升曲柄连杆挡圈	1
11			21343009	KNEE LIFTER LEVER B	膝控提升右曲柄	2
12			SM6051602TP	SCREW M5X0.8 L=16	螺钉M5X0.8 L=16	2
13			21342803	KNEE LIFTER LEVER A	膝控提升左曲柄	1
14			SM6051602TP	SCREW M5X0.8 L=16	螺钉M5X0.8 L=16	1
15			SM8052502TP	SCREW M5X0.8 L=25	螺钉M5X0.8 L=25	1
16			NM6050001SD	NUT M5X0.8	螺母M5X0.8	1
17			21342902	KNEE LIFTER LINK	膝控提升曲柄连杆	1
18			SD0700451TP	HINGE SCREW D=7 H=4.5	螺钉D=7 H=4.5	2
19			40017274	KNEE LIFTER CONNECTING ROD	膝控提升连杆	1
20			SD0700451TP	HINGE SCREW D=7 H=4.5	螺钉D=7 H=4.5	2
21			21343355	KNEE LIFTER LEVER ASM.	膝提器杠杆组件	1
22			SM6062502TP	SCREW M6 L=25	螺钉M6 L=25	2
23			22863252	KNEE LIFTER JOINT ASM.	膝提器接头组件	1
24			22863203	KNEE LIFTER JOINT	膝提器接头	-1
25			B3428521000	PRESSER SPRING	压簧	-1
26			SS7090510SP	SCREW 9/64-40 L=4.6	螺钉9/64-40 =4.6	-1
27			22932453	BRACKET ASM.	支架组件	1
28			22932404	BRACKET	支架	-1
29			22934707	SCREW	螺钉	-2
30			21343157	KNEE PRESS PLATE ASM.	膝提压杆组件	1
31			SM9061203SE	SCREW M6 L=12	螺钉M6 L=12	-1
32			21343108	KNEE PRESS LEVER	膝提压杆	-1
33			22934509	KNEE PAD PLATE COVER	膝提垫板盖	-1
34			22934400	KNEE PAD PLATE RUBBER	膝提垫板橡胶垫	-1
35			22934202	KNEE PAD PLATE	膝提垫板	-1
36			22934301	KNEE PAD PLATE SUPPORT	膝提垫板支架	-1

14、打线器装置 (LOWER THREAD WINDER MECHANISM COMPONENTS)



序号	零件号	说明	编码及型号	英文名称	中文名称	数量
1			21357967	BOBBIN DEVICE ASM.	梭芯装置组件	1
2			22537658	BOBBIN FITTING BASIS COMPL.	梭芯安装总成	-1
3			21357959	BOBIN SHAFT COMPL.	梭芯轴总成	-1
4			22538151	BOBBIN CAM SHAFT COMPL.	梭芯凸轮轴	-1
5			23636202	BOBBIN LEVER	梭芯杠杆	-1
6			21356001	ADJUSTING PLATE	调节板	-1
7			B152989000CA	PRESSUR FOOT SPRING	压脚弹簧	-1
8			10618304	VERTICAL ROLLER WASHER	垂直滚柱垫圈	-2
9			21358205	BOBBIN FRICTION GEAR	橡皮圈	-1
10			B3205210000	CUSHION	衬垫	-1
11			B1148555000	SPRING	弹簧	-1
12			RC0560711KP	RETAINING RING	扣环	-1
13			RE0500000K0	E-RING	E型卡环	-1
14			RO092270200	RUBBER RING	橡皮圈	-1
15			SS7091410SP	SCREW 9/64-40 L=13.5	螺钉9/64-40 L=13.5	-1
16			SS6090520SP	SCREW 9/64-40 L=5.0	螺钉9/64-40 L=5.0	-1
17			14512503	BOBBIN ADJUSTING PLATE	梭芯调节板	-1
18			SS6110810TP	SCREW 11/64-40 L=8	螺钉11/64-40L=8	3
19			10704807	BOBBIN FRICTION WHEEL	梭芯摩擦轮	1
20			SM8050602TP	SCREW M5 L=6	螺钉 M5L=5	2
21			10502300	THREAD CUTTER	剪线器	1
22			SS6090620TP	SCREW	螺钉	2
23			21355755	LOWER THREAD GUIDE ASM.	下过线组件	1
24			21355706	FITTING BASE	安装座	-1
25			D3162555B00	THREAD GUIDE	过线板	-1
26			NS6110310SP	NUT 11/64-40	螺母11/64-40	-1
27			D3168555H0B	TENSION SPRING NO.1	张紧弹簧1号	-1
28			B3214047000	BOBBIN WINDER TENSION DISC	梭芯绕线器张紧盘	-2
29			21378708	THREAD TENSION POST	夹线螺钉	-1
30			11072402	THREAD TENSION NUT	夹线螺帽	-1
31			SM6040800SP	SCREW	螺钉	2
32			22538706	PACKING	衬垫	1

15、运油关系 (LUBRICATION COMPONENTS)

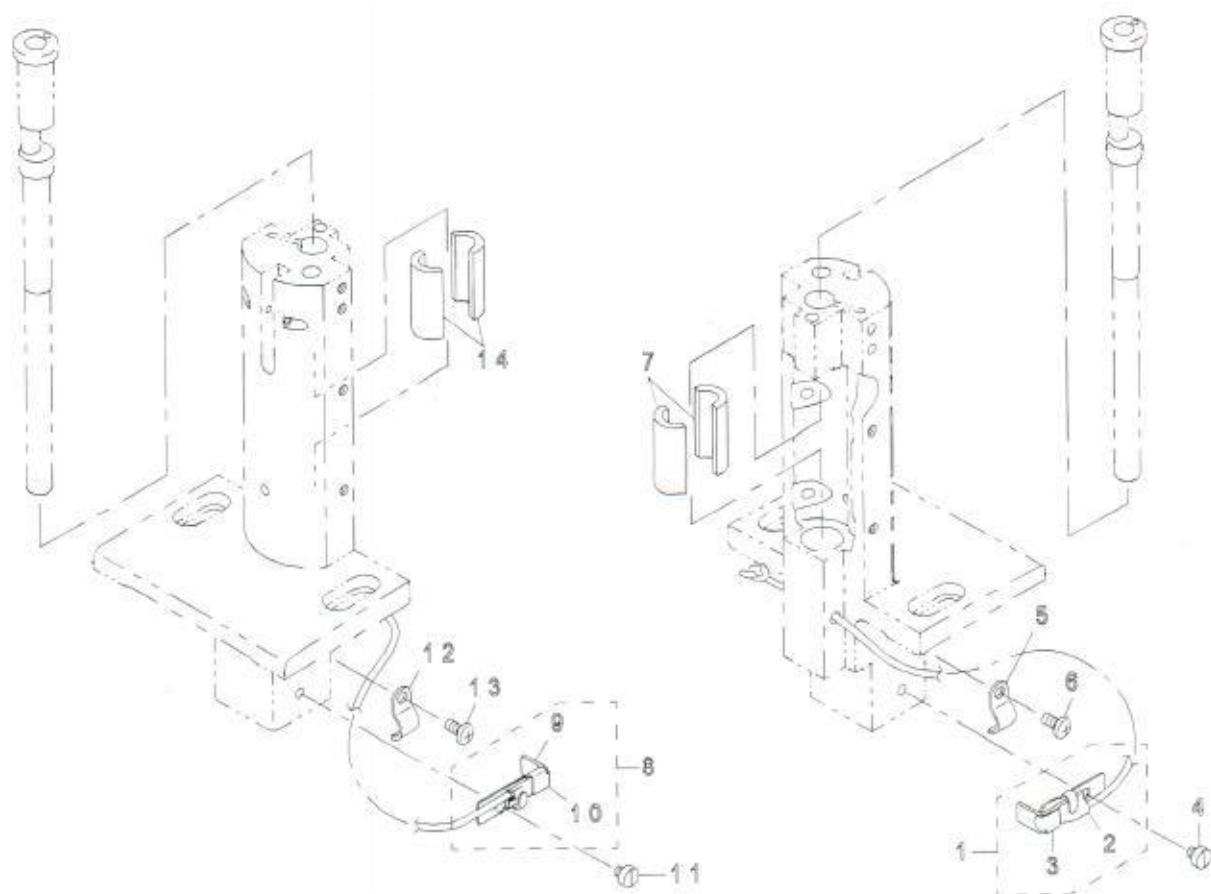


序号	零件号	说明	编码及型号	英文名称	中文名称	数量
1			40042648	ARM ONCE THROUGH FELT ASM.	机壳油毡组件	1
2			21345707	ARM ONCE THROUGH FELT A	机壳油毡A	-1
3			40042647	ARM ONCE THROUGH FELT	油毡B	-1
4			21345905	FACE ONCE THROUGH FELT	机壳油毡	-1
5			21346358	FELT SUPPORT ASM.	油毡支架组件	1
6			21346309	FELT SUPPORT	油毡座	-1
7			21346507	FEED CHANGE FELT	送料油毡	-1
8			21346408	FELT	油毡	-1
9			EA9500B0000	CLIP CV-70S	线卡	-2
10			SS6110480SP	SCREW 11/64-40 L=4.3	上牙螺丝	1
11			21340708	UPPER FEED OIL BAR PLATE	上送料油板	1
12			SS7110510SP	SCREW 11/64-40 L=5	螺钉	1
13			CQ202000000	OIL WICK	油线	0.2
14			21347000	TAKE-UP OIL PLATE	挑线杆内板	1
15			CQ202000000	OIL WICK	油线	0.25
16			21347208	TAKE-UP LUBRICATION FELT	挑线杆润滑油毡	1
17			SS3090610SP	SCREW 9/64-40 L=6	螺钉	1
18			21346002	FELT	毛毡	1
19			B1412051000	FELT	油毡	1
20			CQ252000000	OIL WICK	油线	0.55
21			BT0500300EA	OIL TUBE	油管	0.17
22			21407507	OIL TANK A	油箱A	1
23			21407606	OIL TANK B	油箱B	1
24			21407705	FELT	毛毡	2
25			SS6111010SP	SCREW 11/64-40 L=9.5	螺钉11/64-40 L=9.5	2
26	#02		CQ202000000	OIL WICK	油线	0.15
27	#02		21346101	LUBRICATION FELT PRESSER	油毡压片	1
28	#02		21346200	MUTUAL VERTICAL CHANGE FELT	垂直油毡	1
29	#02		SS7120760SP	SCREW 3/16-28 L=7.0	下轴轴承固定螺钉	1
30			PS0500202KP	SPRING PIN 5X20	弹性圆柱销	1
31			B3508512000	OIL FELT HOLDER	电线固定夹	1
32			SS7110710SP	SCREW 11/64-40 L=7	螺钉11/64-40 L=7	1
33			22620504	OIL WICK HOLDER	油线支架	1
34			SS4110615SP	SCREW 11/64-40 L=6	油管固定板螺钉	1
35	#01		21339700	UPPER FEED STOPPER PLATE (B)	上送料止动板B	1
36	#01		SS7111120TP	SCREW	螺钉	2
37	#01		WPO450801SD	WASHER 4.5X10X0.8	平垫4.5X10X0.8	1
38	#01		22620504	OIL WICK HOLDER	油线支架	1
39	#01		CQ202000000	OIL WICK	油线	0.2
40			EA9500B0100	CABLE BAND	线卡	1

#01 FOR 1710-7/ 1760-7

#02 FOR 1760L

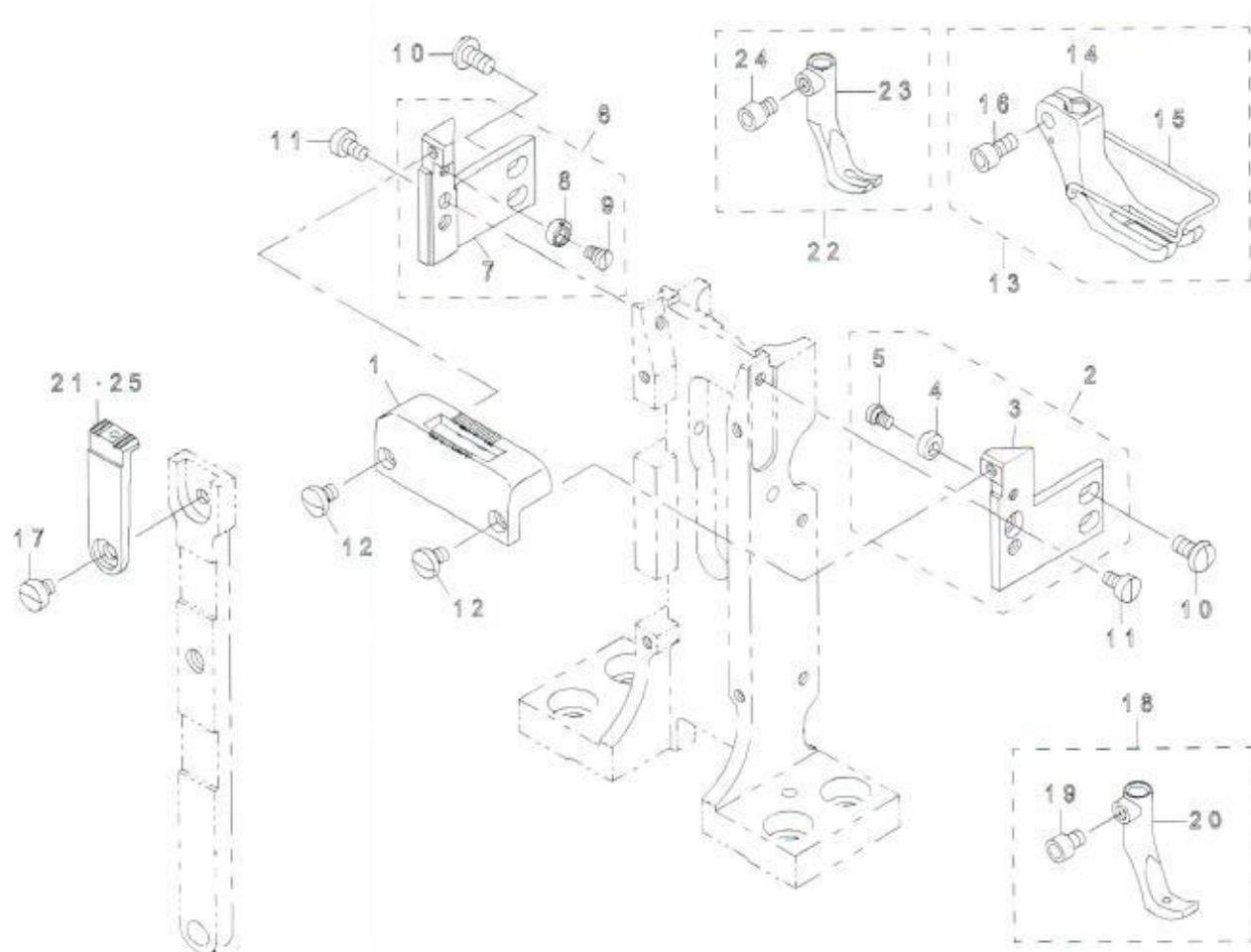
16、运油关系 (LUBRICATION COMPONENTS)



序号	零件号	说明	编码及型号	英文名称	中文名称	数量
1			40038728	VILENE HOLDER ASM.	油毡夹组件	1
2			40038729	OIL WICK ASM.	油毡	-1
3			40038730	VILENE HOLDER	油毡夹	-1
4			SS6110480SP	SCREW 11/64-40 L=4.3	上牙螺丝	1
5			D2611555B00A	CABLE HOLDER	电线固定夹	1
6			SS4110815SP	SCREW 11/64-40 L=8	螺钉11/64-40 L=8	1
7			21345905	FACE ONCE THROUGH FELT	机壳油毡	2
8	#01		40038728	VILENE HOLDER ASM.	油毡夹组件	1
9			40038729	OIL WICK ASM.	油毡	-1
10			40038730	VILENE HOLDER	油毡夹	-1
11	#01		SS6110480SP	SCREW 11/64-40 L=4.3	上牙螺丝	1
12	#01		D2611555B00A	CABLE HOLDER	电线固定夹	1
13	#01		SS4110815SP	SCREW 11/64-40 L=8	螺钉11/64-40 L=8	1
14	#01		21345905	FACE ONCE THROUGH FELT	机壳油毡	2

#01 FOR 1760-7/ 1760L

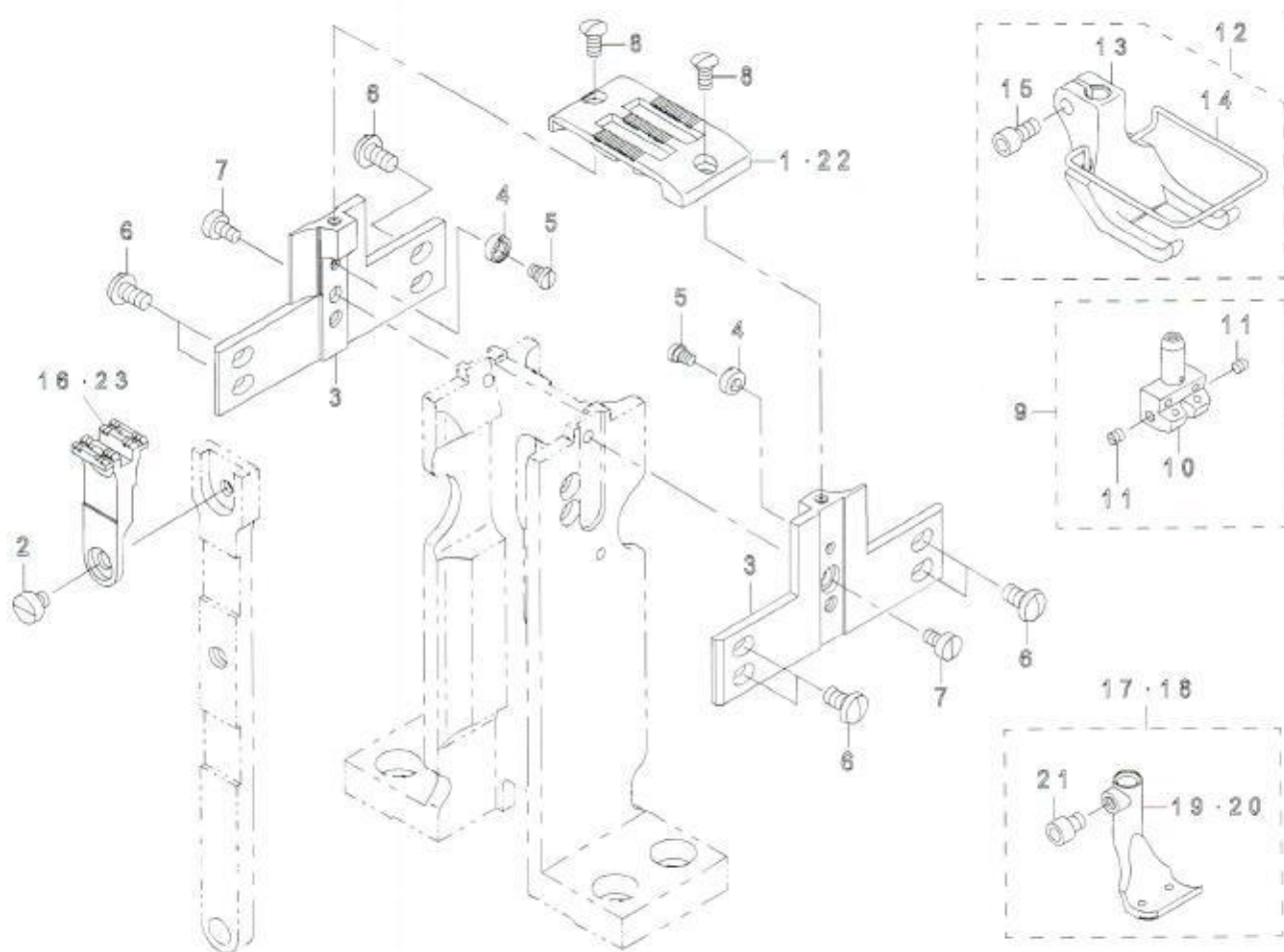
17、针板及压脚部分 (GAUGE COMPONENTS STANDARD PARTS)
(FOR HY1710-7, HY1710L)



序号	零件号	说明	编码及型号	英文名称	中文名称	数量
1			40038970	THROAT PLATE	针板 (单针)	1
2			40038972	THROAT PLATE HOLDER A ASM.	针板座 (组件) 左	1
3			40038974	THROAT PLATE HOLDER A	针板座右	-1
4			23007503	ECCENTRIC ROLLER	偏心轮	-1
5			23007602	HINGE SCREW	螺丝	-1
6			40038976	THROAT PLATE HOLDER B ASM.	针板座 (组件) 右	1
7			40038977	THROAT PLATE HOLDER B	针板座右	-1
8			23007503	ECCENTRIC ROLLER	偏心轮	-1
9			23007602	HINGE SCREW	螺丝	-1
10			SS5110810SP	SCREW 11/64-40 L=8	螺丝	4
11			SS6090620SP	SCREW 9/64-40 L=6	螺丝	2
12			SS7090530SP	SCREW 9/64-40 L=4.5	针板螺丝	2
13			40017286	PRESSER FOOT ASM.	外压脚组件	1
14			40017287	PRESSER FOOT	外压脚	-1
15			10713402	FINGER AUXILIARY COVER	护手圈	-1
16			SM6040802TP	SCREW M4X0.7 L=8	剪线电磁铁螺钉	-1
17			SS6110480SP	SCREW 11/64-40 L=4.3	上牙螺丝	1
18			21444559	PRESSER INNER FOOT ASM.	内压脚组件	1
19			SM6040552TP	SCREW M4 L=4.5	螺钉	-1
20			21444500	PRESSER INNER FOOT	内压脚	-1
21			40038971	FEED	送步牙	1
22	#01		40040295	FEED FOOT ASM.	内压脚组件	1
23			40040296	FEED FOOT	内压脚	-1
24			SM6040552TP	SCREW M4 L=4.5	螺钉	-1
25	#01		40040294	FEED	送步牙	1

#01 OPTIONAL PARTS (选配部件)

18、针板及压脚部分 (GAUGE COMPONENTS STANDARD PARTS)
(FOR HY1760-7, HY1760L)

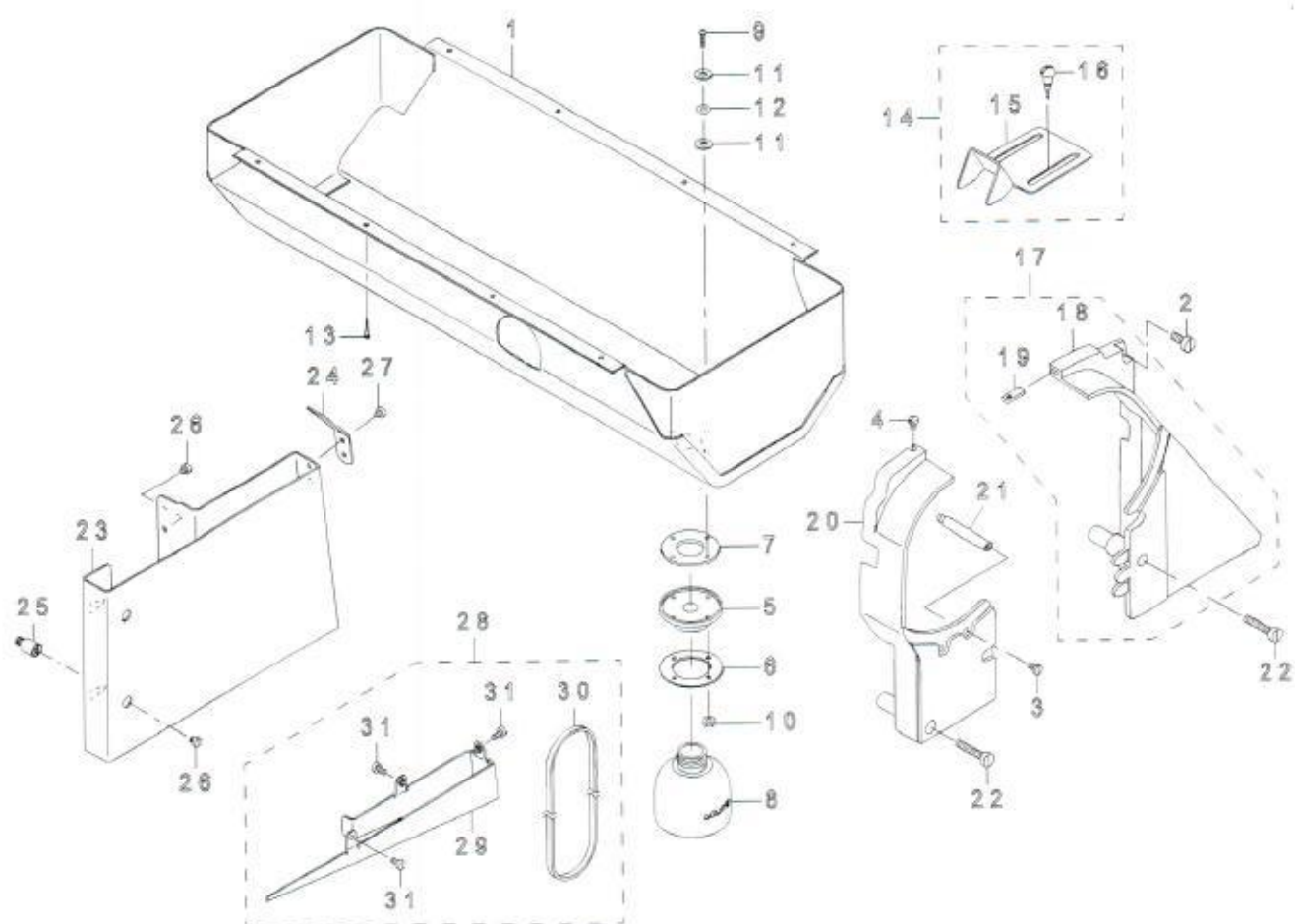


序号	零件号	说明	编码及型号	英文名称	中文名称	数量
1		#01	40038994	NEEDLE PLATE (10MM)	针板10MM	1
2			SS6110480SP	SCREW 11/64-40 L=4.3	上牙螺丝	1
3			40038787	THROAT PLATE HOLDER(10MM)	针板座(双针)	2
4			23007503	ECCENTRIC ROLLER	偏心轮	2
5			23007602	HINGE SCREW	螺丝	2
6			SS5110810SP	SCREW 11/64-40 L=8	螺丝	8
7			SS6090620SP	SCREW 9/64-40 L=6	螺丝	2
8			SS2090810SP	SCREW 9/64-40 L=7.5	螺丝	2
9			40038774	NEEDLE CLAMP(10MM) ASM.	针头组件	1
10			40038775	NEEDLE CLAMP(10MM)	针头(10mm)	-1
11			SS8080310TP	SCREW 1/8-44 L=2.8	螺丝	-2
12			40038795	PRESSER FOOT(10MM) ASM.	外压脚组件(10mm)	1
13			40038796	PRESSER FOOT(10MM)	外压脚(10mm)	-1
14			40038794	FINGER GURDE(10-12MM)	护手圈	-1
15			SM6040802TP	SCREW M4X0.7 L=8	剪线电磁铁螺钉	-1
16		#01	40039007	FEED (3.8-2.4)(10MM)	送步牙10MM	1
17		#01	40038842	FEED FOOT(10MM) ASM.	内压脚组件(10mm)	1
18		#02	40038898	FEED FOOT(10MM 60L) ASM.	内压脚组件(10mm)	1
19		#01	40038843	FEED FOOT(10MM)	内压脚(10mm)	-1
20		#02	40038899	FEED FOOT(10MM 60L)	内压脚(11mm)	-1
21			SM6040552TP	SCREW M4 L=4.5	螺钉	-1
22		#02	40038893	THROAT PLATE(10MM 60L)	针板(10mm)	1
23		#02	40038897	FEED(10MM 60L)	送布牙(10mm)	1

#01 FOR 1760-7

#02 FOR 1760L

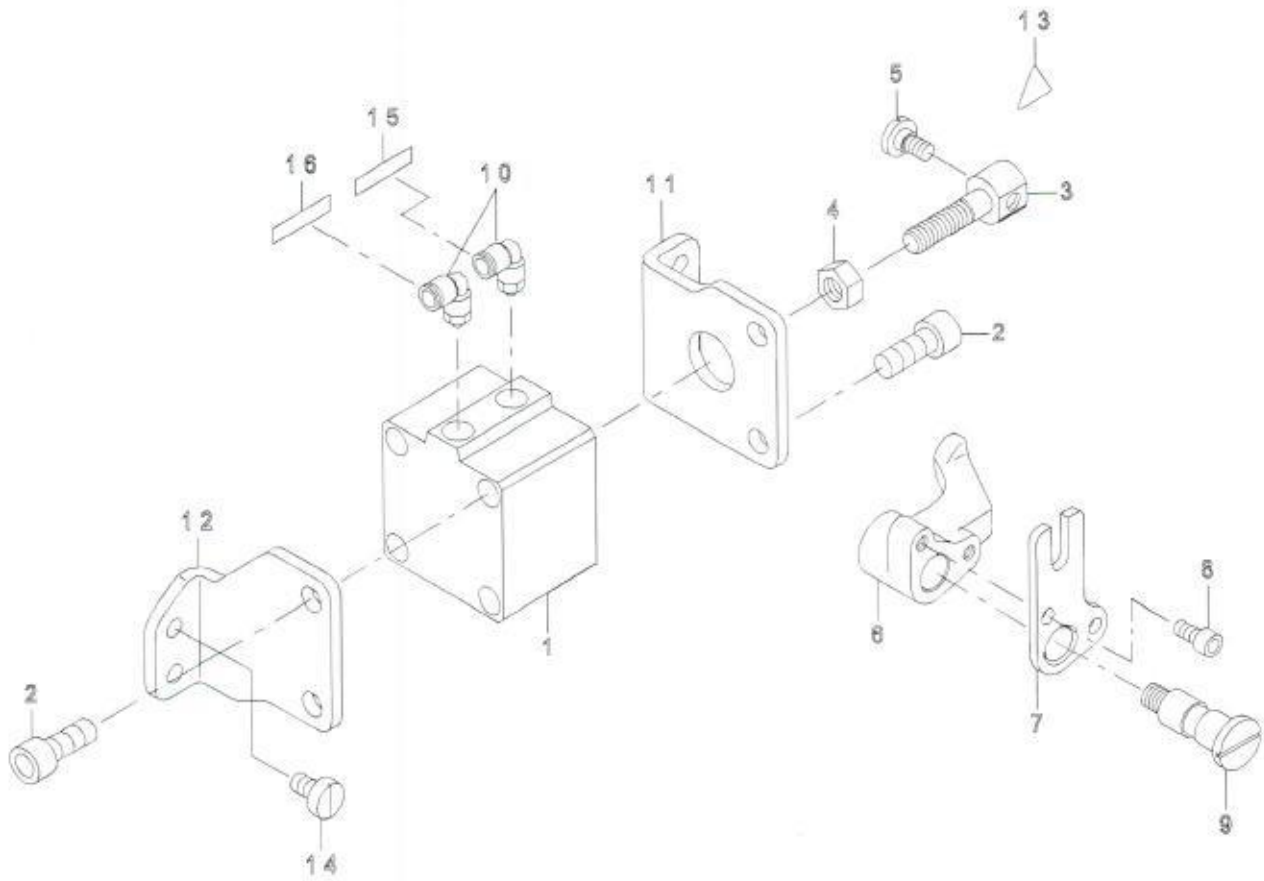
21、油盆及护罩 (BELT COVER & OIL RESERVOIR COMPONENTS)



序号	零件号	说明	编码及型号	英文名称	中文名称	数量
1			21351457	OIL RESERVOIR ASM.	大油盘	1
2			SS6151440SP	SCREW 15/64-28 L=14	螺钉15/64-28 L=14	1
3			SS7110840SP	SCREW 11/64-40 L=7.8	螺钉	1
4			SS5110740TP	SCREW 11/64-40 L=6.5	螺钉11/64-40 L=6.5	1
5			40025299	OIL POT JOINT	集油壶接头	1
6			21379003	OIL MANAGEMENT WASHER	油封压板	1
7			B8112220000	OIL SEAL	油封	1
8			40025300	OIL POT	油壶	1
9			SM3031401SE	SCREW M3X0.5 L=14	油封压板螺钉	4
10			NM6030001SC	NUT M3	螺母	4
11			10748101	OIL REMOVING SETSCREW PACKING	排油螺钉垫	8
12			WP0320501SC	WASHER M3	平垫	4
13			SK3241601SC	WOOD SCREW D=2.4 L=16	铁钉	8
14			10755254	BELT COVER C ASM. (FOR JE)	皮带罩C组件(用FOR JE)	1
15			10755205	BELT COVER C (JE)	皮带罩C(用于JE)	-1
16			SK3482500SC	WOOD SCREW D=4.8 L=25	木螺钉D=4.8 L=2.5	-2
17			21351150	BELT COVER ASM. (RIGHT)	皮带罩组件(右)	1
18			21351101	BELT COVER (RIGHT)	皮带罩(右)	-1
19			21351002	BELT COVER AUXILIARY PLATE	皮带罩辅助板	-1
20			21351200	BELT COVER (LEFT)	皮带罩(左)	1
21			D8232241E00	BELT COVER SUPPORT A	皮带罩支架A	1
22			SS6153040SP	SCREW 15/64-28 L=30	螺钉15/64-28 L=30	2
23			40038823	BELT COVER (UNDER)	防护罩	1
24			40017309	BELT COVER LID	防护罩舌片	1
25			40038824	BELT COVER STUD	防护罩连接螺钉	2
26			SS6110480SP	SCREW 11/64-40 L=4.3	上牙螺丝	4
27			SS6110480SP	SCREW 11/64-40 L=4.3	上牙螺丝	2
28	#01		40080024	BELT COVER (FOR OBLIQUE TABLE	小皮带罩组件	1
29			40078969	BELT COVER (FOR OBLIQUE TABLE)	小皮带罩	-1
30			MTJVH00550A	V-BELT 55INCH	皮带	-1
31			SS6110480SP	SCREW 11/64-40 L=4.3	上牙螺丝	-3

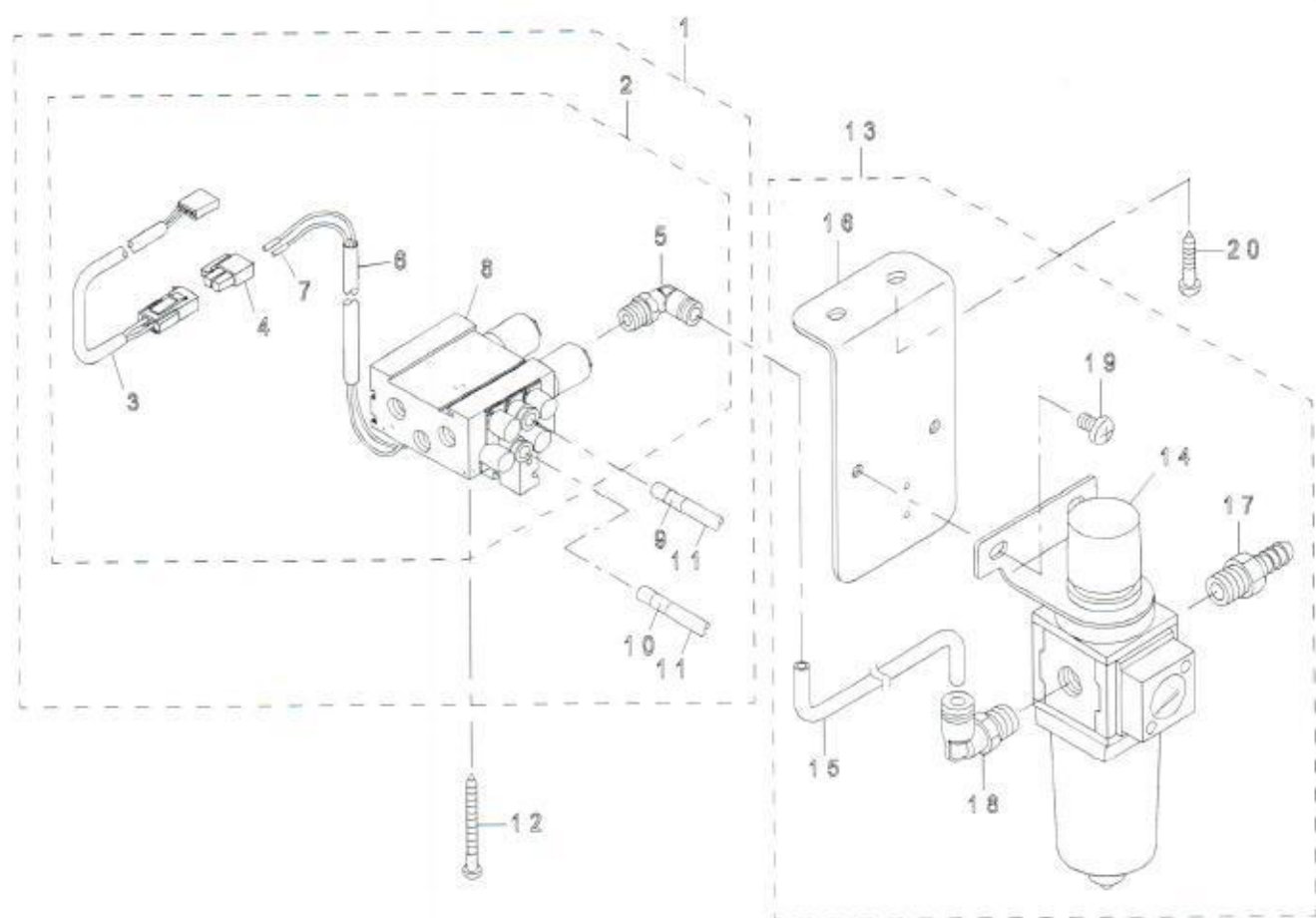
#01 OPTIONAL PARTS (选配部件)

22、自动抬压脚装置(选配) (AUTOMATIC PRESSER LIFTING MECHANISM COMPONENTS) (OPTIONAL PARTS)



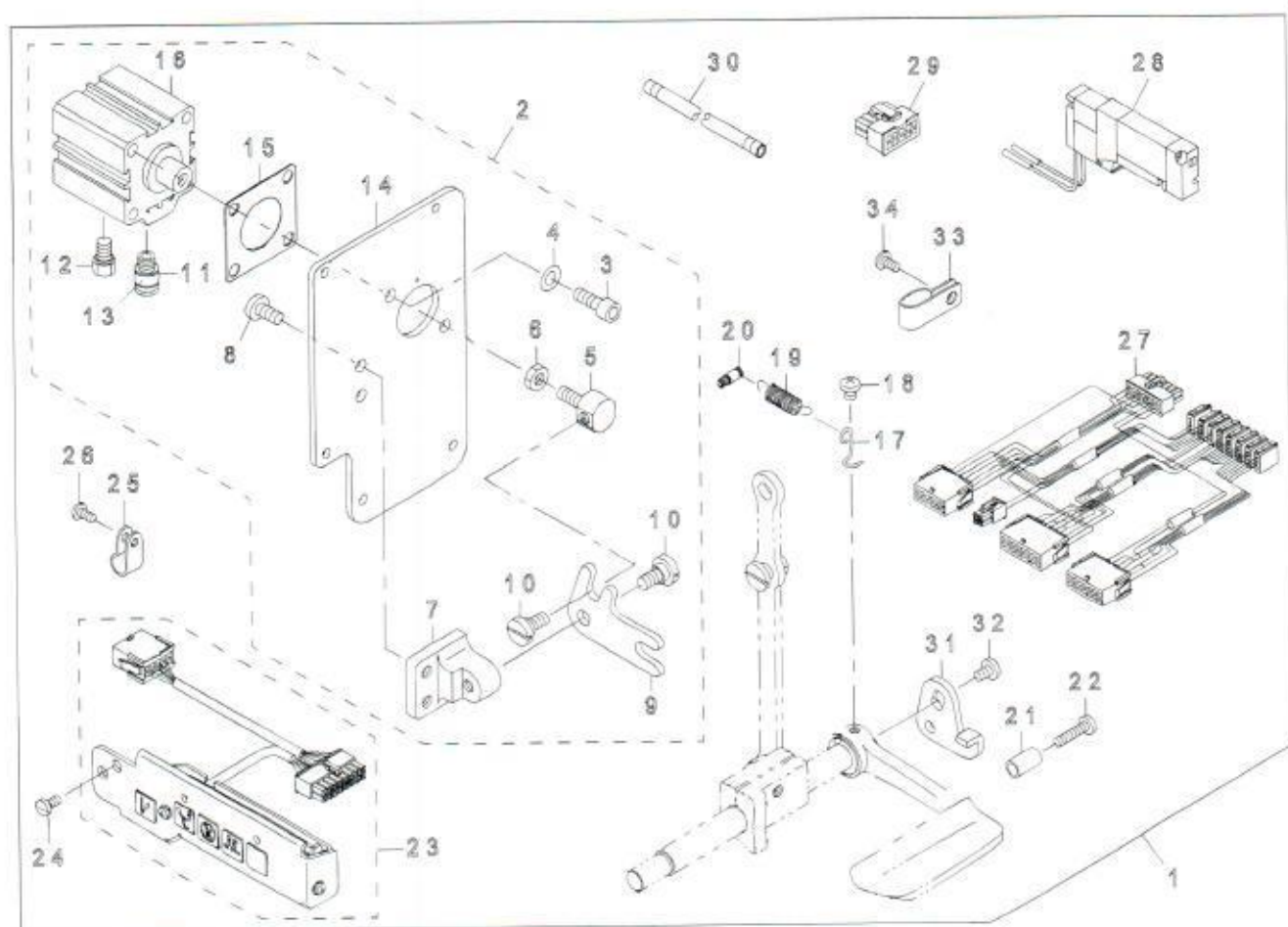
序号	零件号	说明	编码及型号	英文名称	中文名称	数量
1			PA400150100	AIR CYLINDER	抬压脚气缸M8	1
2			SM6082002TP	SCREW M8 L=20	气缸安装螺钉	4
3			21356506	CYLINDER CONNECTING SCREW	抬压脚气缸接头	1
4			NM6080001SE	NUT M8	螺母	1
5			SD0720331SP	HINGE SCREW D=7.24 H=3.3	抬压脚气缸接头螺钉	1
6			21388509	PRESSER LIFTER LEVER A	气动抬压脚曲柄	1
7			21356803	PRESSER LIFTER LEVER B	气动抬压脚拨叉	1
8			SM6051002TP	SCREW M5X0.8 L=10	拨叉固定螺钉	2
9			21356704	SHAFT	气动抬压脚曲柄螺钉	1
10			PJ304065101	ELBOW UNION 6XPT1/8	螺纹接头	2
11			21356308	CYLINDER STAY (FRONT)	抬压脚气缸安装架(前)	1
12			21356407	CYLINDER STAY (REAR)	抬压脚气缸安装架(后)	1
13			CM300200001	ATTENTION SEAL 16	安全标志	1
14			SS6151040SP	SCREW 15/64-28 L=10	剪线电磁铁座螺钉	4
15			HX00295000A	WIRE MARK (2)	标签	1
16			HX00295000B	WIRE MARK (3)	标签	1

23、气源处理组件（选配）（AIR MECHANISM COMPONENTS）（OPTIONAL PARTS）



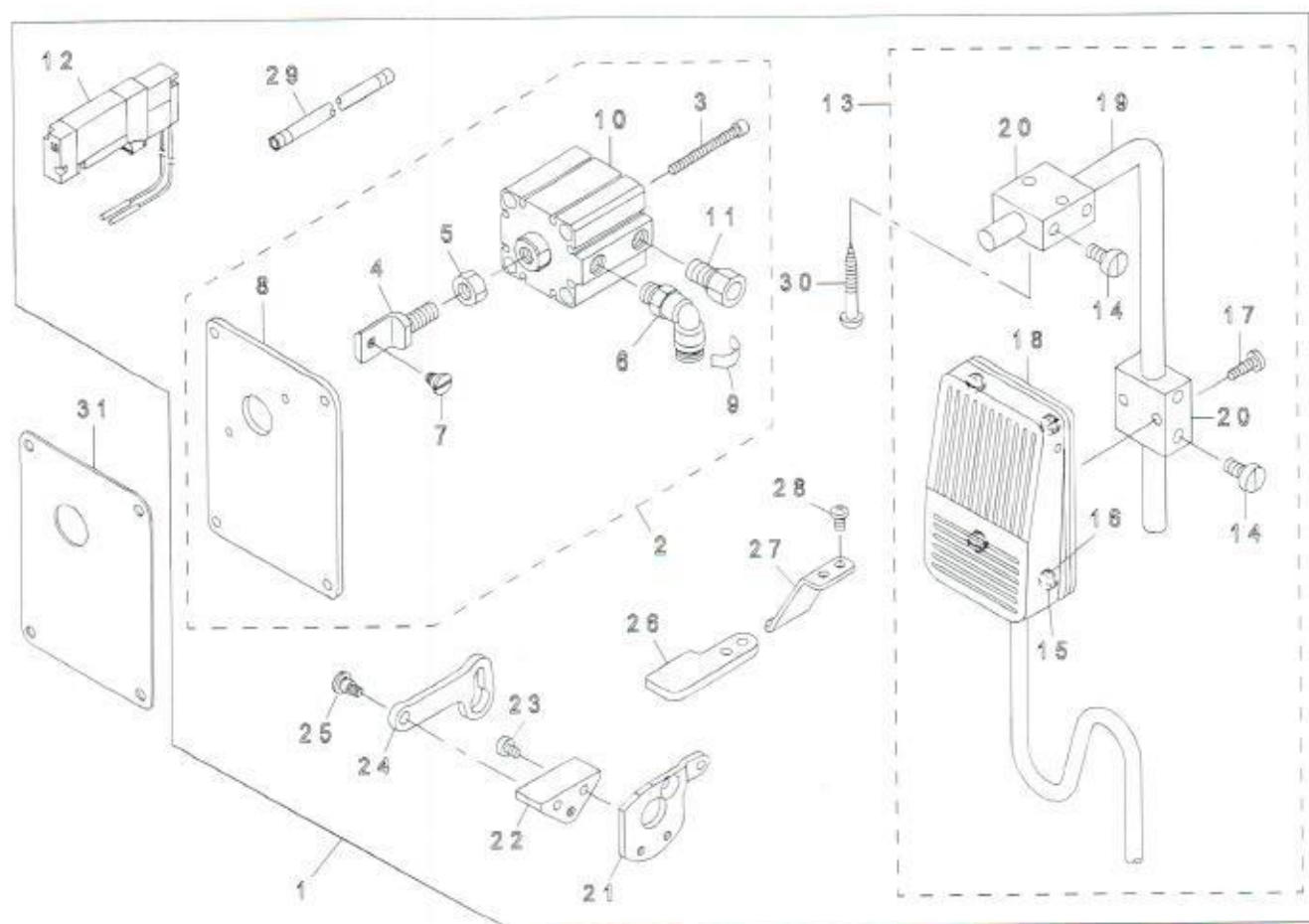
序号	零件号	说明	编码及型号	英文名称	中文名称	数量
1			40038906	AIR APPRATUS (P) ASM.	气动控制系统	1
2			40038905	ELECTROMAGNETIC VALVE (P) ASM.	气动控制组件	-1
3			40025359	AK CORD ASM.	插头	-1
4			HK034610020	2-POLE NYLON PLUG	插头	-1
5			GAK29010000	ELBOW B	弯接头	-1
6			GAKA1503000	INSULATION TUBE	电线	-0.2
7			HK03464000A	TERMINAL FEMALE	接线用端子	-2
8			40038904	MAGNETIC VALVE (P)	三联电磁阀座	-1
9			HX00295000A	WIRE MARK (2)	气管	-3
10			HX00295000B	WIRE MARK (3)	气管	-3
11			BT0600401EB	TUBE	气管	-2
12			SK3385001SE	WOOD SCREW D=3.8 L=50	气管	4
13			40038722	FILTER REGULATOR ASM.	供气系统	1
14			PF0552170A0	FILTER REGULATOR	调压过滤阀	-1
15			BT0600401EB	TUBE	气管	-1
16			40038723	FILTER REGULATOR MOUNTING PLA	安装板	-1
17			GAK29011000	NIPPLE	接头	-1
18			GAK29009000	ELBOW	螺纹直通管接头	-1
19			SM4061001SB	SCREW M6 L=10	螺钉	-2
20			SK3482501SE	WOOD SCREW D=4.8 L=25	木螺钉	2

24、自动倒缝装置 (选配) (AUTOMATIC BACK COMPONENTS) (OPTIONAL PARTS)



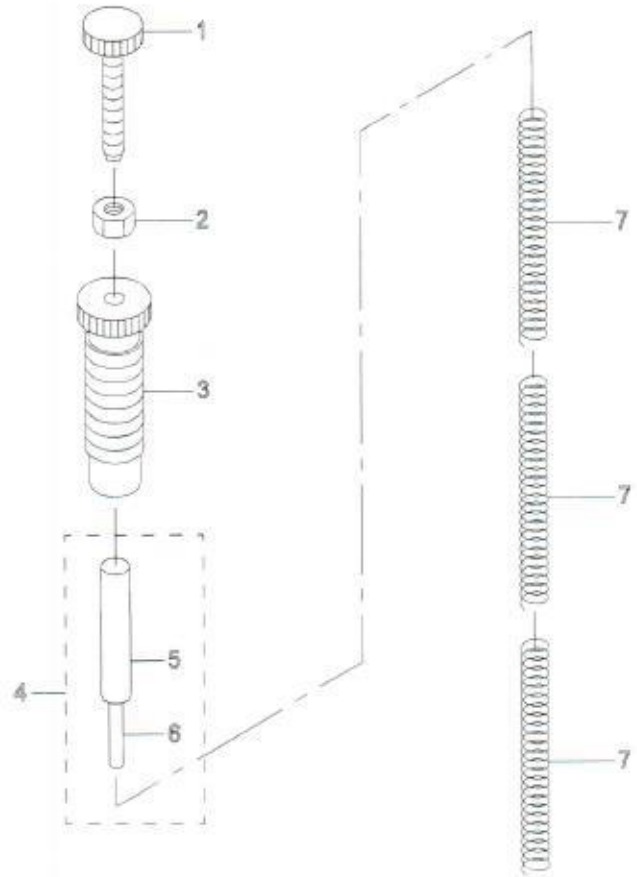
序号	零件号	说明	编码及型号	英文名称	中文名称	数量
1			40040415	OPTIONAL PARTS (BT)	自动倒缝系统	1
2			40040660	WINDOW PLATE ASM.	倒缝气缸装置	1
3			SM6061602TP	SCREW M6 L=16	气缸安装螺钉	-2
4			WP0641601SD	WASHER M6	垫圈	-2
5			21348602	CYLINDER CONNECTING SCREW	倒顺针距气缸传动螺钉	-1
6			NM6060003SC	NUT M6	螺母	-1
7			21348503	FITTING BASE	倒缝拨叉座	-1
8			SS7151210SP	SCREW 15/64-28 L=12	倒缝拨叉座螺钉	-2
9			21348701	BACKWARD FEED LINK	倒缝针距拨叉	-1
10			SD0800352SP	HINGE SCREW D=8 H=3.5	倒缝针距拨叉传动螺钉	-2
11			PJ301065104	HALF UNION	直接头	-1
12			PX015101000	MUFFLER	消音器	-1
13			HX002950000	WIRE MARK (1)	标签	-1
14			40043357	WINDOW PLATE H	大后窗盖	-1
15			21349105	CYLINDER PACKING	防油垫	-1
16			PA320150200	JIG CYLINDER	倒缝气缸	-1
17			22656003	SPRING SUSPENSION	倒缝扳手拉簧勾	1
18			SS4120615SP	SCREW 3/16-28 L=6	拉簧勾螺钉	1
19			26226209	SPRING	倒缝扳手拉簧	1
20			10120004	SPRING SUSPENSION	拉簧螺钉	1
21			22952501	BACK LEVER STOPPER	倒缝扳手限位套	1
22			SS7111810SP	SCREW 11/64-40 L=18	螺钉	1
23			40024849	5RANGE SWITCH ASM.	面板操作按钮组件	1
24			SS7110840SP	SCREW 11/64-40 L=7.8	螺钉	2
25			HX00123000A	CABLE CLIP	电线固定夹	3
26			SS4110815SP	SCREW 11/64-40 L=8	螺钉11/64-40 L=8	3
27			40064512	RELAY CORD F ASM.	连接线	1
28			40040419	ELECTORMAGNETIC VALVE (1) ASM	电磁阀	1
29			HK034610100	10P CONNECTOR	插头	1
30			40040671	AIR HOSE ASM. (BT)	气管	1
31			22656102	REVERSE FEED LINK (1)	倒缝扳手连接板	1
32			SS7120760SP	SCREW 3/16-28 L=7.0	下轴轴承固定螺钉	1
33			D2112555B00	CORD HOLDER LARGE	电线固定夹	2
34			SS6111140SP	SCREW 11/64-40 L=11	接地用螺钉	2

25、DL装置 (选配) (DL MECHANISM COMPONENTS) (OPTIONAL PARTS)



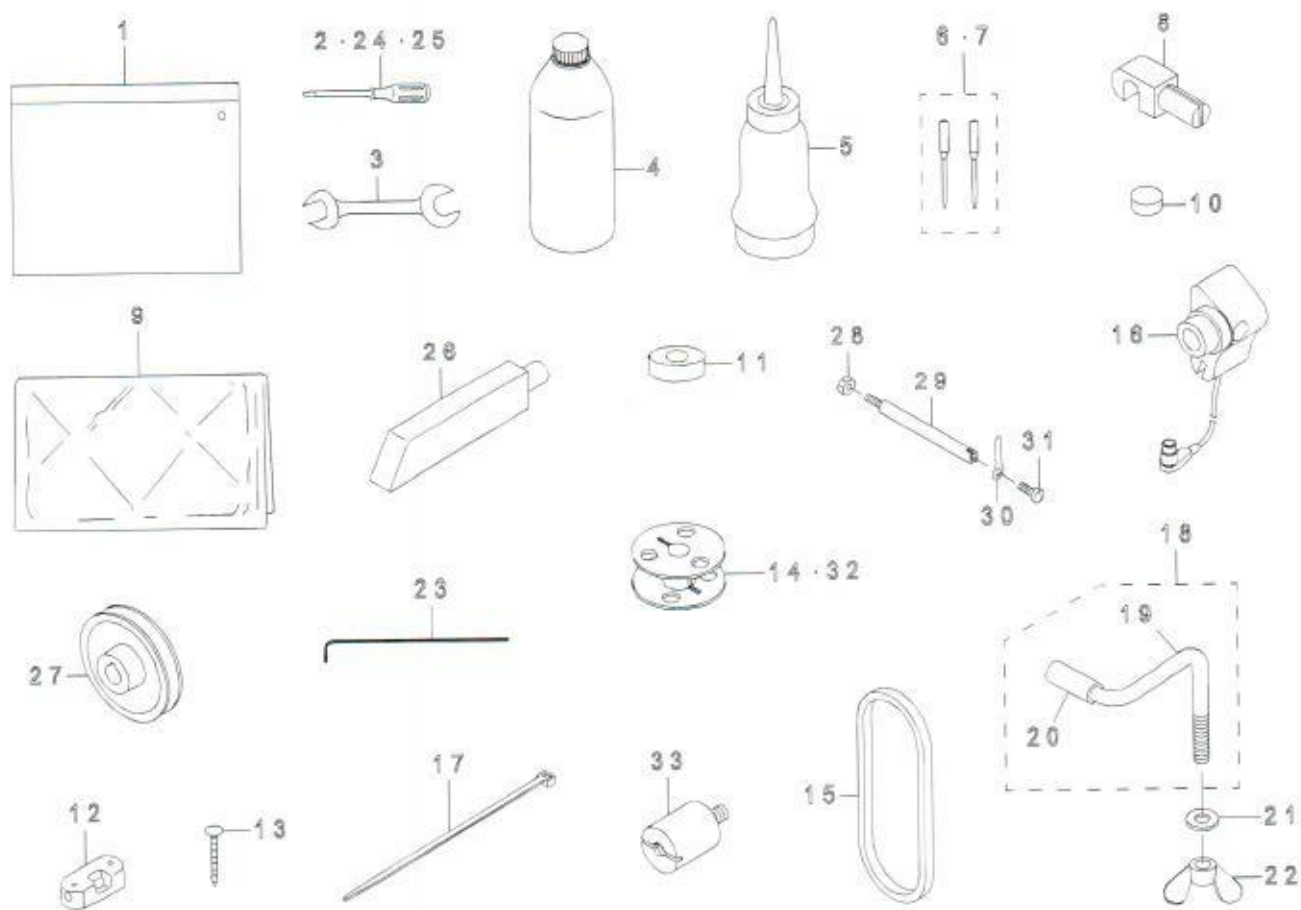
序号	零件号	说明	编码及型号	英文名称	中文名称	数量
1			40040416	OPTIONAL PARTS (DL)	DL系统	1
2			40040663	WINDOW PLATE ASM.	DL气缸装置	1
3			SM6044002TP	SCREW	气缸安装螺钉	-2
4			21438403	CYLYNDER CONNECTING SCREW	控制连接螺钉M6	-1
5			NM6080721SE	NUT M8	螺母	-1
6			PJ304065101	ELBOW UNION 6XPT1/8	弯接头	-1
7			SD0600403TP	HINGE SCREW	螺钉	-1
8			21437207	WINDOW PLATE F	后窗板	-1
9			HX00295000C	WIRE MARK (4)	气管标记	-1
10			PA320200100	JIG CYLINDER	气缸	-1
11			PX015101000	MUFFLER	消音器	-1
12			40040420	ELECTROMAGNETIC VALVE (4) ASM.	电磁阀	1
13			40025036	KNEE SWITCH ASM.	膝控系统	1
14			SS6151220SP	SCREW 15/64-28 L=11.5	螺钉	-4
15			SS7110710SL	SCREW 11/64-40 L=7.0	螺钉	-4
16			WP0480856SP	WASHER 4. 8X8. 4X0. 8	垫圈	-4
17			SS7111410SP	SCREW 11/64-40 L=14	螺钉	-2
18			GAKA14040A0	KNEE SWITCH A ASM.	膝控组件	-1
19			MAT80231T00	DRIVING BAR T002	驱动杆	-1
20			MAT80230T00	KNEE SWITCH SUPPORT BASE	膝控固定块	-2
21			21438106	STOPPER PLATE B	支架板	1
22			21438601	MUTUAL VERTICAL LINK SPASER	连接安装座	1
23			SS6110610TP	SCREW 11/64-40 L=6	螺钉11/64-40 L=6.5	2
24			21438502	MUTUAL VERTICAL LINK	连杆	1
25			SD0600454TP	SHOULDER SCREW	螺钉	1
26			21438205	UPPER FEED STOPPER PLATE	挡板	1
27			21438700	MUTUAL VERTICAL LINK SUPPORT	支撑板	1
28			SS4110815SP	SCREW 11/64-40 L=8	螺钉11/64-40 L=8	2
29			40040672	AIR HOSE ASM. (DL)	气管	1
30			SK3514000SC	WOOD SCREW D=5.1 L=40	木螺钉	2
31			21437306	WINDOW PLATE E PACKING	油垫	1

26、双重夹具装置 (选配) (ADDITIONAL SPRING FOR PRESSER BAR COMPONENTS)
(OPTIONAL PARTS)



序号	零件号	说明	编码及型号	英文名称	中文名称	数量
1			21006507	ADJUST SCREW B	调压小螺杆	1
2			NS6110530SP	NUT 11/64-40	螺母11/64-40	1
3			21006408	ADJUST SCREW A	调压大螺杆	1
4			40072709	SPRING SUPPORT SHAFT ASM.	调压导杆	1
5			40072708	SPRING SUPPORT SHAFT	调压导杆小杆	-1
6			PS0300242K0	SPRING PIN 3.0X24	调压导杆大杆	-1
7			21006002	ADJUST SPRING B	弹簧	3

28、附件 (ACCESSORIES PARTS COMPONENTS)



序号	零件号	说明	编码及型号	英文名称	中文名称	数量
1			B9101552000	ACCESSORY BOX	附件塑料袋	1
2			22933006	SCREW DRIVER LARGE	中起子	1
3			B9113012000	WRENCH (9X10)	呆扳手	1
4			MDFRX2700C0	NEW DEFRIX OIL NO. 2 (700CC)	油壶(含2升机油)	1
5			J1067000000	OILER	小油壶	1
6	#04		MC321002002	NEEDLE 134-35 #200-2	机针	1
7	#05		MC321001402	NEEDLE 134-35 #140-2	机针	1
8			B8213012000	BED HINGE CONNECTION	带钩合页	2
9			40048536	HEAD_COVER	机壳外罩	1
10	#01		B8206012000	FELT CUSHION	防震垫	4
11	#01		B8209012000	RUBBER CUSHION	防震块	4
12	#01		10529600	WASHER	胶合页	2
13	#01		10539906	SET NAIL	钉	8
14	#06		10759603	ALUMINUM BOBBIN (DOUBLE-CUT)	线芯	2
15	#02		MTJVH00530A	V BELT 53INCH	皮带	1
16	#02		40026920	SYNCHRONIZER ASM.	定针器	1
17	#02		EA9500B0100	CABLE BAND	线卡	3
18			40038827	BED CLAMP STICK ASM.	车头稳定螺杆组件	1
19			40038828	BED CLAMP STICK	车头稳定螺杆	-1
20			BT1200801EF	TUBE	胶套	-0
21			WP0841601SC	WASHER 8. 4X17. 4X1. 6	平垫	1
22			NM9080001SC	NUT	螺母	1
23	#06		10777407	WRENCH 2. 5MM	六角扳手	1
24			22933105	SCREW DRIVER MIDDLE	大起子	1
25			22933204	SCREW DRIVER SMALL	小起子	1
26			10528800	FRAME SUPPORT BAR	靠木	1
27	#02		MTSP00700C0	MOTOR PULLEY ASM. P. C. D 70	马达轮	1
28	#02		NS6150430SP	NUT 15/64-28	螺母	1
29	#02		D7101245E00	SYNCHRONIZER HOLDER STUD	定针器固定杆	1
30	#02		B9109246000	DETECTOR SUPPORT PLATE	定针器固定片	1
31	#02		SS7110710SP	SCREW 11/64-40 L=7	螺钉11/64-40 L=7	1
32	#03		10759603	ALUMINUM BOBBIN (DOUBLE-CUT)	线芯	1
33	#02		B8404352000	BELT COVER SUPPORT STUD	护罩连接螺丝	2

#01 HEAD ONLY HEAD AND MOTOR DELIVERY ONLY

#02 OPTIONAL PARTS (FOR 1760L) (选配部件)

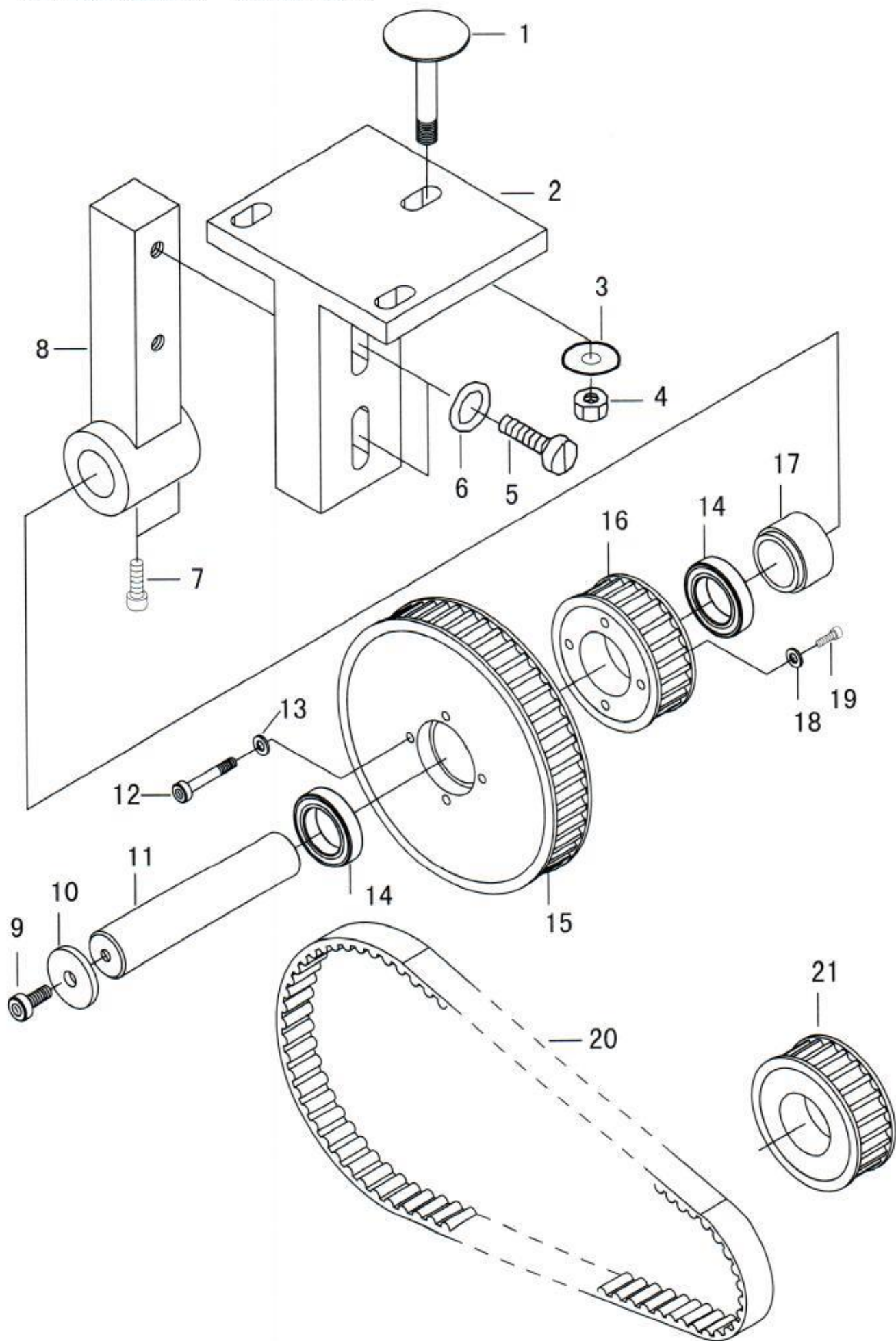
#03 FOR 1710-7

#04 FOR 1760L

#05 FOR 1710-7/ 1760-7

#06 FOR 1760-7/ 1760L

29. 减速器部分 (Retarder)



序号	零件号	说明	编码及型号	英文名称	中文名称	数量
1	LS8J88				螺钉	3
2	030282				减速器底座	1
3	PD8				垫圈M8	3
4	LM8				螺母M8	3
5	LS8F17				内六角圆柱头螺钉M8X40	2
6	PD8				垫圈M8	2
7	LS5A20				内六角圆柱头螺钉M5X15	2
8	030283				减速器活动座	1
9	LS6A10				内六角圆柱头螺钉M6X10	1
10	030286				垫圈	1
11	030284				减速器轴	1
12	LS4A35				内六角圆柱头螺钉M4X35	4
13	PD4				垫圈M4	4
14	030281				轴承	2
15	030280				大皮带轮	1
16	030279				小皮带轮	1
17	030285				挡圈	1
18	PD4				垫圈M4	4
19	LS4A8				内六角圆柱头螺钉M4X8	4
20	030278				同步带	1
21	030275				电机同步带轮	1

